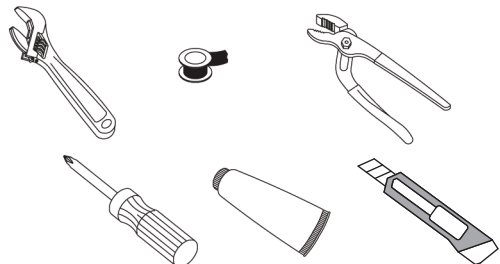


Installation

Tools

- Adjustable Wrench
- Teflon Tape
- Groove Joint Plier
- Phillips Screwdriver
- Silicone Sealant
- Knife



Maintenance

Your new faucet is designed for years of trouble-free performance. Keep it looking new by cleaning it periodically with a soft, damp cloth. Avoid abrasive cleaners, steel wool and harsh chemicals as these will dull the finish and void your warranty.

Safety Tips

- If you use soldering for the installation of the faucet, the seats, cartridges and washers will have to be removed before using flame. Otherwise, the warranty will be void on these parts.
- Protect your eyes with safety glasses when cutting or soldering water supply lines.
- Cover your drain to avoid losing parts.

Important Points

Prior to beginning installation, turn off the cold and hot water lines and turn on the old faucet to release built-up pressure. When installing your new faucet, turn the connector nuts finger tight, then use a wrench to anchor the fitting and a second wrench to tighten the nut one additional turn. Connections that are too tight can compromise the integrity of the system. Wrap all threaded connections with teflon tape. Always wrap in a clockwise direction.

Need Help

Have a question? DON'T GO BACK TO THE STORE, WE CAN HELP, just call 1-800-626-3525 ,8 a.m. to 5 p.m. EST Monday-Friday, or send an email to Help@cmiproduct.com.

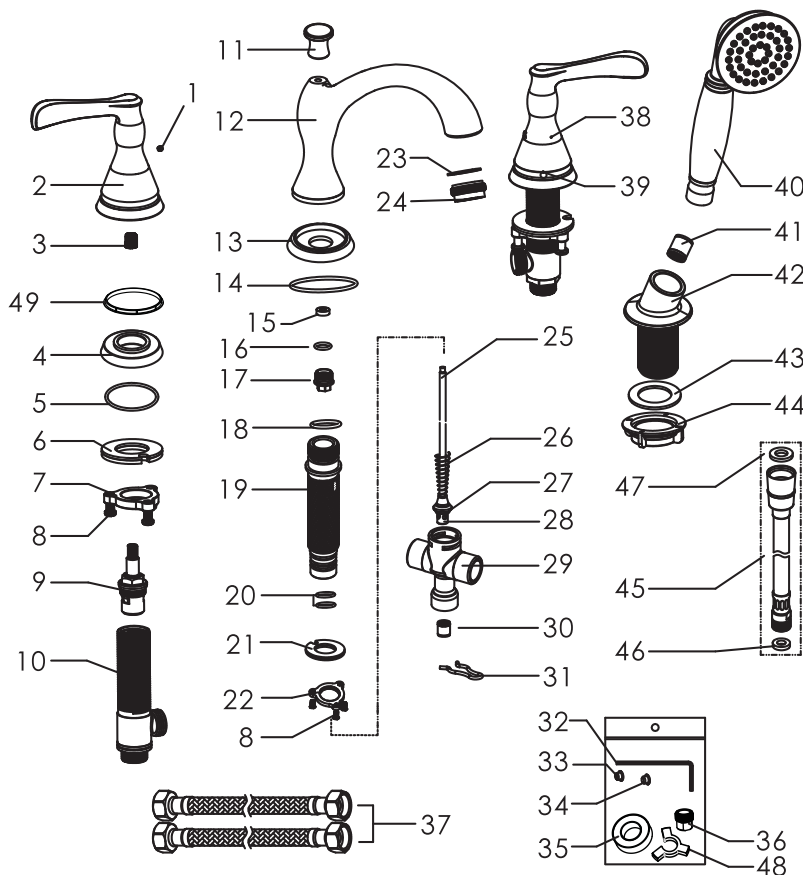
For Models : 6736153, 6736154, 6736155

JENSEN Roman Tub Faucet With Hand-held Shower



Tuscany®

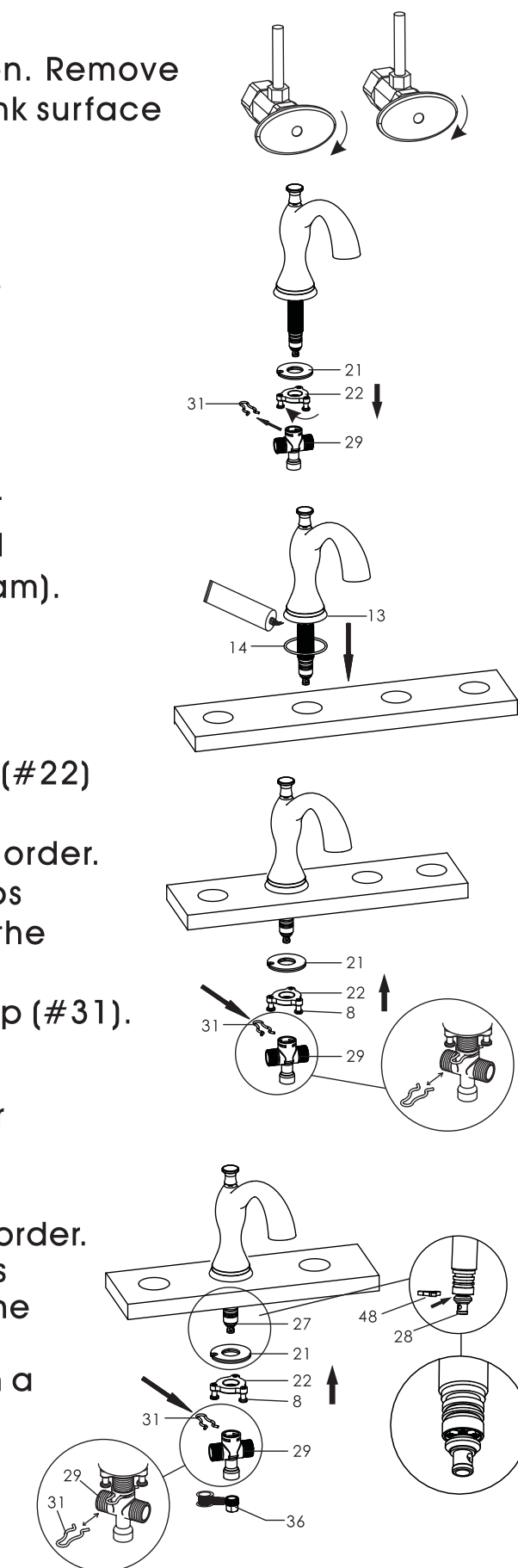
Parts Diagram / List



No.	Part Name
1	Set Screw
2	Handle
3	Handle Adapter
4	Handle Flange
5	O-ring
6	Gasket Assembly
7	Locknut
8	Screw
9	Ceramic Cartridge(Hot)
10	Brass Valve Body
11	Knob
12	Spout
13	Spout Flange
14	O-ring
15	Sealing Ring
16	O-ring
17	Adapter
18	O-ring
19	Diverter Tube
20	O-ring
21	Gasket Assembly
22	Locknut
23	Washer
24	Aerator
25	Lift Rod
26	Diverter Spring
27	Washer
28	Diverter Core
29	Brass Valve Body
30	Check Valve
31	Clip
32	Hex Wrench
33	Index (hot)
34	Index (cold)
35	Teflon Tape
36	Plug
37	Connect Hose
38	Handle
39	Ceramic Cartridge(Cold)
40	Hand-held Shower
41	Check Valve
42	Shower Holder
43	Washer
44	Plastic Lock Nut
45	Pull-out Hose
46	Washer
47	Washer
48	Ring
49	Wearing Ring

Preparation/Assembly

- Shut off the water supplies before installation. Remove the current faucet and clean and dry the sink surface the new faucet will be installed on.
- Remove clip (#31) to take down brass valve body (#29), unscrew lock nut (#22) and washer (#21) from underneath.
- Place silicone sealant beneath the spout flange (#13) and install through the second hole from the left of the bathtub (See diagram). **Please Note:** Don't forget to position the o-ring (#14) under the spout flange (#13).
- Installation with hand-held shower:** Attach gasket assembly (#21) and lock nut (#22) from the bottom. **Please Note:** Please assemble in numerical order. Tighten but do not over tighten. Use a phillips screwdriver to tighten the 3-screws (#8) on the lock nut (#22). See diagram for visual. Install brass valve body (#29) and insert clip (#31).
- For installation without hand-held shower:** Insert ring (#48) onto the groove of diverter core (#28). Attach gasket assembly (#21) and lock nut (#22) from the bottom. **Please Note:** Please assemble in numerical order. Tighten but do not over tighten. Use a phillips screwdriver to tighten the 3-screws (#8) on the lock nut (#22). See diagram for visual. Apply teflon tape on threads of plug (#36) in a clockwise direction, and screw it onto brass valve body (#29). And tighten it with wrench. Install brass valve body (#29) and insert clip (#31).



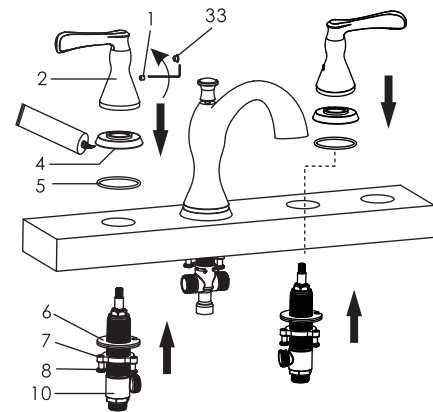
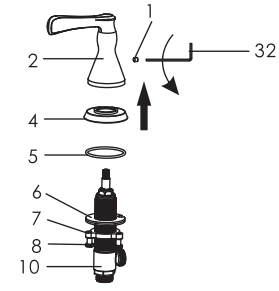
Step 1-5

Have a question? DON'T GO BACK TO THE STORE, WE CAN HELP, just call 1-800-626-3525 ,8 a.m. to 5 p.m. EST Monday-Friday, or send an email to Help@cmiproduct.com.

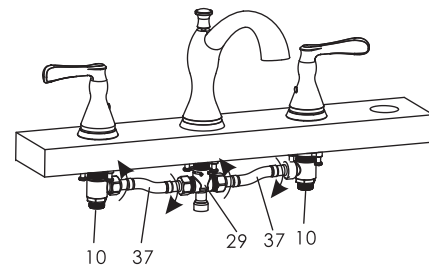
Have a question? DON'T GO BACK TO THE STORE, WE CAN HELP, just call 1-800-626-3525 ,8 a.m. to 5 p.m. EST Monday-Friday, or send an email to Help@cmiproduct.com.

Installation Instructions

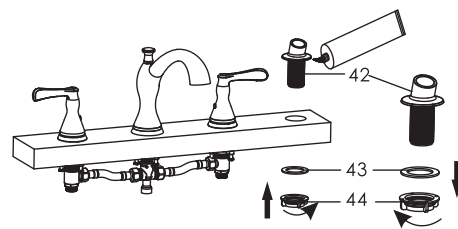
- Unscrew set screw (#1) with hex wrench (#32) in a counter-clockwise direction, remove handle (#2), and unscrew handle flange (#4) with o-ring (#5). See diagram for visual.
- Insert brass valve body (#10) through the far left hole (hot water side) from underneath. Place silicone sealant beneath the handle flange (#4) and tighten it onto brass valve body (#10) from above.
Please Note: Don't forget the position the o-ring (#5) under the spout flange (#4). Hand tighten gasket assembly (#6) and lock nut (#7) from underneath, then tighten but do not over tighten. Hint-Easier to do with a second person holding the faucet in place while first person tightens the faucet. Install handle (#2) and fix it with set screw (#1) with hex wrench (#32) in a clockwise direction, and install index(hot) (#33). Repeat the same process for the right hole (cold water side). See diagram for visual.



- From the bottom, screw the connect hose (#37) onto brass valve body (#29) and brass valve body (hot water side) (#10). Hand tighten and then use an adjustable wrench to anchor the fitting and a second wrench to tighten the nut. Do not over tighten. Please repeat for the cold water side.
Please Note: Do not remove the customer service tag with the model number and phone number as this will be helpful if you need assistance in the future.

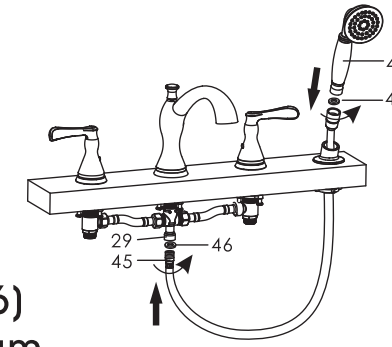


- For installation without hand-held shower, please skip step 8 and step 9 and go to step 10 directly. Unscrew plastic lock nut (#44) and washer (#43) from shower holder (#42). Place silicone sealant beneath the shower holder (#42) and install through the far right side hole (See diagram). Tighten the washer (#43) and plastic lock nut (#44) but do not over tighten.

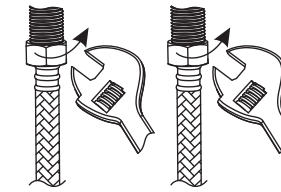


Installation Instructions

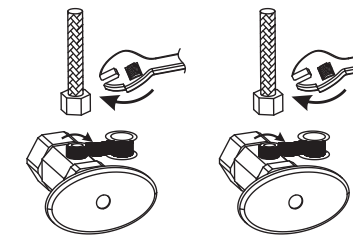
- Slide the pull-out hose (#45) through the hole. Screw the pull-out hose (#45) onto the brass valve body (#29) on the faucet. Hand tighten and then use an adjustable wrench to tighten. Do not over tighten. Hand tighten hand-held shower (#40) to pull-out hose (#45).
Please Note: Don't forget to position the washer (#46) and washer (#47) between connections. See diagram for visual.



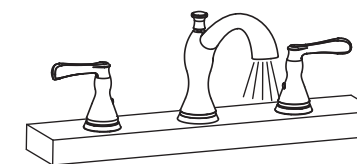
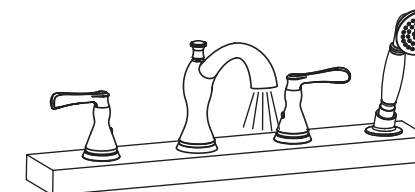
- Use flexible stainless steel supply lines-sold separately. Screw these onto the inlet shanks on the bottom of brass valve body (#10). Typically the cold water supply is on the right and the hot water supply is on the left.



- Apply teflon tape onto the threads of the faucet water shut offs in a clockwise direction. Tighten the water supply lines onto the water supply shut offs. Please be sure to connect the cold water line to the cold water shut off (Typically on the right) and the hot water supply line to the hot water shut off (Typically on the left).



- After installing faucet, turn on the hot and cold water shut offs. Check for leaks. Turn on the faucet handle for one minute to flush the debris from the faucet. Turn off the faucet.



Trouble-Shooting

If you've followed the instructions carefully and your faucet still does not work properly, take these corrective steps.

Problem	Cause	Action
Water will not shut off completely.	Dirty or damaged cartridge (#9 or #39).	Remove handle (#2 or #38) and cartridge (#9 or #39) to check if ceramic disk is damaged permanently or dirty. Re-install the cartridge (#9 or #39) or replace the cartridge (#9 or #39).

Lifetime Limited Warranty

The manufacturer warrants that the parts and assemblies of this product will be free from defects in material and workmanship under normal household use for as long as it is owned by the original consumer purchaser.

This warranty covers the original purchaser with original receipt only and does not include business, commercial or industrial use of this product. This warranty shall not apply to goods which have been subject to accidents, negligence or improper installation. Our responsibility under this warranty is limited only to the replacement of parts and no other costs. Should a malfunction occur within the time covered by this warranty, replacement parts may be obtained from Customer Service Department 1 - 800 - 626 - 3525 or email warranty@cmiproduct.com. The manufacturer will, at its discretion, provide replacement parts for installation by consumer for any parts that prove defective under normal usage and care with new or equivalent parts.

Revised on 12/19/2018