

10638
10639
10640
10669
10670
10671



BLACK LABEL™

WOOD PELLET GRILL & SMOKER GRIL ET FUMOIR À GRANULES DE BOIS PARRILLA Y AHUMADOR DE PELLETS DE MADERA

**IMPORTANT: READ CAREFULLY, RETAIN FOR FUTURE REFERENCE.
MANUAL MUST BE READ BEFORE OPERATING!**

**IMPORTANT, PRENEZ CONNAISSANCE DE CE DOCUMENT ET
CONSERVEZ-LE POUR RÉFÉRENCE ULTÉRIEURE VOUS DEVEZ
LIRE CE GUIDE AVANT D'UTILISER LE BARBECUE !**

**IMPORTANTE, LEER DETENIDAMENTE, CONSERVAR PARA
REFERENCIA FUTURA. LEA EL MANUAL ANTES DEL USO!**

FOR OUTDOOR AND HOUSEHOLD USE ONLY. NOT FOR COMMERCIAL USE.
FUEL AND ACCESSORIES NOT INCLUDED.

RÉSERVÉ À L'USAGE EXTÉRIEUR ET RÉSIDENTIEL UNIQUEMENT. NON DESTINÉ
À UN USAGE COMMERCIAL. CARBURANT ET ACCESSOIRES NON INCLUS.

SOLO PARA USO EN EXTERIORES Y EN EL HOGAR. NO ES PARA USO COMERCIAL.
COMBUSTIBLE Y ACCESORIOS NO INCLUIDOS.

WARNING: FAILURE TO FOLLOW THESE INSTRUCTIONS COULD RESULT IN
PROPERTY DAMAGE, BODILY INJURY OR EVEN DEATH. CONTACT LOCAL
BUILDING OR FIRE OFFICIALS ABOUT RESTRICTIONS AND INSTALLATION
INSPECTION REQUIREMENTS IN YOUR AREA.

AVERTISSEMENT : LE NON-RESPECT DE CES INSTRUCTIONS PEUT
ENTRAÎNER DES DOMMAGES MATÉRIELS, DES DOMMAGES CORPORELS
OU MÊME LA MORT. CONTACTEZ LES AUTORITÉS LOCALES COMPÉTENTES
CONCERNANT LES RESTRICTIONS ET LES EXIGENCES D'INSPECTION EN
VIGUEUR DANS VOTRE RÉGION.

ADVERTENCIA: SI NO SE SIGUEN ESTAS INSTRUCCIONES, PUEDEN
PRODUCIRSE DAÑOS MATERIALES, LESIONES CORPORALES O INCLUSO
LA MUERTE. PARA CONSULTAR LAS RESTRICCIONES Y REQUISITOS DE
INSPECCIÓN DE LAS INSTALACIONES DE SU ZONA, PÓNGASE EN CONTACTO
CON LOS ENCARGADOS DE EDIFICIO O EL DEPARTAMENTO DE BOMBEROS.



BLACK LABEL



LG0800BL

LG1000BL

LG1200BL

**OWNER'S MANUAL
MANUEL DU PROPRIÉTAIRE
MANUAL DEL PROPIETARIO**

SAFETY INFORMATION

MAJOR CAUSES OF APPLIANCE FIRES ARE A RESULT OF POOR MAINTENANCE AND A FAILURE TO MAINTAIN REQUIRED CLEARANCE TO COMBUSTIBLE MATERIALS. IT IS OF UTMOST IMPORTANCE THAT THIS PRODUCT BE USED ONLY IN ACCORDANCE WITH THE FOLLOWING INSTRUCTIONS.

DANGERS AND WARNINGS

Please read and understand this entire manual before attempting to assemble, operate or install the product. This will ensure you receive the most enjoyable and trouble-free operation of your new wood pellet grill. We also advise you retain this manual for future reference.

YOU MUST CONTACT YOUR LOCAL HOME ASSOCIATION, BUILDING OR FIRE OFFICIALS, OR AUTHORITY HAVING JURISDICTION, TO OBTAIN THE NECESSARY PERMITS, MISSION OR INFORMATION ON ANY INSTALLATION RESTRICTIONS, SUCH AS ANY GRILL BEING INSTALLED ON A COMBUSTIBLE SURFACE, INSPECTION REQUIREMENTS OR EVEN ABILITY TO USE, IN YOUR AREA.

1. A minimum clearance of 457 mm (18 inches) from combustible constructions to the sides of the grill, and 457 mm (18 inches) from the back of the grill to combustible constructions must be maintained. Do not install appliance on combustible floors, or floors protected with combustible surfaces unless proper permits and permissions are obtained by authorities having jurisdiction. Do not use this appliance indoors or in an enclosed, unventilated area. This appliance must not be placed under overhead combustible ceiling or overhang. Keep your grill in an area clear and free from combustible materials, gasoline and other flammable vapors and liquids.

SHOULD A GREASE FIRE OCCUR, TURN THE GRILL OFF AND LEAVE THE LID CLOSED UNTIL THE FIRE IS OUT. UNPLUG THE POWER CORD FROM THE CONNECTED OUTLET. DO NOT THROW WATER ON THE UNIT. DO NOT TRY TO SMOTHER THE FIRE. IT IS IMPORTANT TO HAVE ON-SITE USE OF AN ALL-CLASS (CLASS ABC) APPROVED FIRE EXTINGUISHER. IF AN UNCONTROLLED FIRE DOES OCCUR, CALL THE FIRE DEPARTMENT.

OVERFIRING WARNING! IF FOR ANY REASON YOUR ELECTRIC IGNITER FAILS OR YOUR GRILLS FLAME DIES OUT DURING A COOK, CHECK THE GRILL'S BURN AREA TO ENSURE THERE ARE NO UNBURNED PELLETS IN THE BURN GRATE BEFORE RESTARTING. STARTING THE GRILL WITH PELLETS IN THE BURN AREA CAN CAUSE OVERFIRING AND POSSIBLY AN UNCONTROLLED FLAME.

2. Keep electrical supply cords and the fuel away from heated surfaces. Do not use your grill in the rain or around any water source.
3. After a period of storage, or non-use, check the burn grate for obstructions, the hopper for foreign objects, and any air blockage around the fan intake, chimney, or rear barrel exhaust holes. Clean before use. Regular care and maintenance is required to prolong the lifespan of your unit. If the grill is stored outside during the rainy season or seasons of high humidity, care should be taken to insure that water does not get into the hopper. When wet or exposed to high humidity, wood pellets will expand greatly, decompose, and may jam the feed system. Always disconnect the power, before performing any service or maintenance.

DO NOT MOVE YOUR GRILL WHILE IN USE OR WHILE THE GRILL IS HOT. ENSURE THE FIRE IS COMPLETELY OUT AND THAT THE GRILL IS COMPLETELY COOL TO THE TOUCH BEFORE MOVING.

IMPORTANT! ALWAYS POWER OFF THE APPLIANCE AND ALLOW THE SHUT-DOWN CYCLE TO RUN. UNPLUG THE APPLIANCE ONLY ONCE THE SHUT-DOWN CYCLE IS COMPLETE, AND/OR BEFORE CLEANING. FAILURE TO FOLLOW THIS WARNING CAN CAUSE DAMAGE, SERIOUS INJURY, FIRE, ELECTRIC SHOCK, OR DEATH.

4. It is recommended to use heat-resistant barbecue mitts or gloves when operating the grill. Do not use accessories not specified for use with this appliance. Do not put a barbecue cover or anything flammable in the storage space area under the barbecue.
5. To prevent fingers, clothing or other objects from coming in contact with the auger feed system, the appliance is equipped with a metal safety screen, mounted to the interior of the hopper. This screen must not be removed unless directed by Customer Care or an authorized dealer.

THIS APPLIANCE IS NOT RECOMMENDED FOR CHILDREN, PERSONS WITH REDUCED PHYSICAL, SENSORY OR MENTAL CAPABILITIES, OR LACK OF EXPERIENCE AND KNOWLEDGE, UNLESS THEY ARE UNDER DIRECT SUPERVISION OR INSTRUCTION BY A PERSON RESPONSIBLE FOR THEIR SAFETY.

6. Parts of the barbecue may be very hot and serious injury may occur. Keep young children and pets away while in use.

7. Do not enlarge igniter holes or burn pots. Failure to follow this warning could lead to a fire hazard and bodily harm and will void your warranty.
8. Product may have sharp edges or points. Contact may result in injury. Handle with care.
9. Remove pots and pans while the operating appliance is unattended, to reduce the risk of fire.

DISPOSAL OF ASHES

Ashes should be placed in a metal container with a tight-fitting lid. The closed container of ashes should be placed on a non-combustible floor or on the ground, well away from all combustible materials, pending final disposal. When ashes are disposed by burial in soil, or otherwise locally dispersed, they should be retained in a closed container until all cinders have thoroughly cooled.

WOOD PELLET FUEL

This pellet cooking appliance is designed and approved for pelletized, all natural, wood fuel only. Any other type of fuel burned in this appliance will void the warranty and safety listing. You must only use all natural wood pellets, designed for burning in pellet barbecue grills. Do not use fuel with additives. Wood pellets are highly susceptible to moisture and should always be stored in an airtight container. If you are storing your grill, without use, for an extended period, we recommend clearing all pellets from your grill's hopper and auger, to prevent jams. The pellet fuel mean heating value in 8,000 - 8,770 BTU/LB, ash content < 1%.

DO NOT USE SPIRIT, PETROL, GASOLINE, LIGHTER-FLUID OR KEROSENE FOR LIGHTING OR REFRESHING A FIRE IN YOUR GRILL. KEEP ALL SUCH LIQUIDS WELL AWAY FROM THE APPLIANCE WHEN IN USE.

At time of printing, there is no industry standard for barbecue wood pellets, although most pellet mills use the same standards to make wood pellets for domestic use. Further information can be found at www.pelletheat.org or the Pellet Fuel Institute. Contact your local dealer about the quality of pellets in your area and for information on brand quality. As there is no control over the quality of pellets used, we assume no responsibility to damage caused by poor quality of fuel.

CREOSOTE

Creosote, or soot, is a tar-like substance. When burning, it produces black smoke with a residue which is also black in color. Soot or creosote is formed when the appliance is operated incorrectly, such as: blockage of the combustion fan, failure to clean and maintain the burn area, moisture affected pellets, or poor air-to-fuel combustion.

It is dangerous to operate this appliance should the flame become dark, sooty, or if the burn pot is overfilled with pellets. When ignited, this creosote makes an extremely hot and uncontrolled fire, similar to a grease fire. Should this happen, turn the unit OFF, let it cool completely, then inspect for maintenance and cleaning. It commonly accumulates along exhaust areas.

If creosote has formed within the unit, allow the unit to warm up at a low temperature, turn off the appliance, then wipe away any formation with a hand towel. Similar to tar, it is much easier to clean when warm, as it becomes liquid. When grease or creosote has accumulated, it should be removed to reduce risk of fire.

CARBON MONOXIDE (“THE SILENT KILLER”)

Carbon monoxide is a colourless, odourless, tasteless gas produced by burning gas, wood, propane, charcoal or any other fuels. Carbon monoxide reduces the blood's ability to carry oxygen. Low blood oxygen levels can result in headaches, dizziness, weakness, nausea, vomiting, sleepiness, confusion, loss of consciousness or death. Follow these guidelines to prevent this colourless, odourless gas from poisoning you, your family, or others:

- See a doctor if you or others develop cold or flu-like symptoms while cooking or in the vicinity of the appliance. Carbon monoxide poisoning, which can easily be mistaken for a cold or flu, is often detected too late.
- Alcohol consumption and drug use increase the effects of carbon monoxide poisoning.

Carbon monoxide is especially toxic to mother and child during pregnancy, infants, the elderly, smokers, and people with blood or circulatory system problems, such as anemia, or heart disease.



SAFETY LISTING

In accordance with the procedures and specifications listed in the UL Subject 2728A-2019 “pellet fuel cooking appliances” and ULC/ORD-C2728-19 and Canadian CSA C22.2 #3 “for electrical features of fuel burning equipment.” Louisiana Grills® pellet cooking appliances have been independently tested and listed by CSA (an accredited testing laboratory) to UL, ULC and CSA standards.

CAUTION: THE USER IS CAUTIONED THAT CHANGES OR MODIFICATIONS NOT EXPRESSLY APPROVED BY THE PARTY RESPONSIBLE FOR COMPLIANCE COULD VOID THE USER'S AUTHORITY TO OPERATE THE EQUIPMENT.

The Bluetooth® word mark and logo are registered trademarks owned by Bluetooth SIG, Inc. and any use of such marks by Louisiana Grills® is under license. Other trademarks and tradenames are those of their respective owners.



COPYRIGHT NOTICE

Copyright 2022. All right reserved. No part of this manual may be copied, transmitted, transcribed, stored in a retrieval system, in any form or by any means without expressed written permission of,

DANSONS

3411 North 5th Avenue, Suite 500,
Phoenix, AZ, USA 85013

CUSTOMER CARE

USA: (480) 923-9632
Canada: 1-877-942-2246
www.louisiana-grills.com

GETTING YOU STARTED SAFELY

Make sure you know and understand the basics of safe use.

SAFETY INFORMATION 2

GRILLING LIKE A PRO

Every barbecue is different. Get our advice on best practices for operating your barbecue so you can always perform at your very best.

GRILL ENVIRONMENT	6
COOKING TEMPERATURES	7
AIRFLOW AND THE FEED SYSTEM	7
CONTROL BOARD 101	8
CONTROL BOARD FUNCTIONS	10
CONNECTING TO THE SMOKE IT® APP	12
FIRST USE – BURN-OFF	12
START-UP PROCEDURE	12
SHUT DOWN PROCEDURE	12
COOKING GUIDELINES	13
TIPS & TECHNIQUES	15

TAKING CARE OF YOUR GRILL

Maintenance and performance go hand-in-hand. If you take responsibility for maintaining your barbecue, it will perform for years to come.

CARE & MAINTENANCE 16

CUSTOMER SUPPORT

If you run into problems, this is your first stop to getting the answers you need.

TROUBLESHOOTING	17
ELECTRICAL COMPONENTS	19
REPLACEMENT PARTS	20
WARRANTY	24

GET COOKING

Learn the versatility of your barbecue. These simple and timeless recipes takes little effort but deliver big reward.

RECIPES 25

GRILL ENVIRONMENT

With today's lifestyle of striving to eat healthy and nutritious foods, one factor to consider is the importance of reducing fat intake. One of the best ways to cut down on fat in your diet is to use a low fat method of cooking, such as grilling. As a pellet grill uses natural wood pellets, the savory wood flavor is cooked into the meats, reducing the need for high sugar content sauces.

WHERE TO SET UP THE GRILL

With all outdoor appliances, outside weather conditions play a big part in the performance of your grill and the cooking time needed to perfect your meals. Extreme cold weather conditions may affect maximal temperature output.

All Louisiana Grills® units should keep a minimum clearance of 457 mm (18 inches) from combustible constructions, and this clearance must be maintained while the grill is operational. To effectively assist your grill in achieving proper temperature output, maintain heat retention, and heat recovery time when the lid is open, it is recommended to shelter your unit from the wind. In addition, adjusting the positioning of your grill by rotating a quarter turn – keeping the air exhaust holes (vents) out of the wind – will result in better temperature control and output.

COLD WEATHER COOKING

As it becomes cooler outside, that does not mean that grilling season is over! The crisp cool air and heavenly aroma of smoked foods will help cure your winter blues. Follow these suggestions on how to enjoy your grill throughout the cooler months:

- If smoking at low temperatures fails, increase the temperature slightly to achieve the same results.
- Organize – Get everything you require ready in the kitchen before you head outdoors. During the winter, move your grill to an area that is out of the wind and direct cold. Check local bylaws regarding the proximity of your grill in relation to your home and/or other structures. Put everything you need on a tray, bundle up tight, and get it done!
- To help keep track of the outside temperature, place an outdoor thermometer close to your cooking area. Keep a log or history of what you cooked, the outdoor temperature, and the cooking time. This will help later down the road to help you determine what to cook and how long it will take.
- In very cold weather, increase your preheating time by at least 20 minutes.
- Avoid lifting the lid any more than necessary. Cold gusts of wind can completely cool your grill temperature. Be flexible with your serving time; add about 10–15 minutes extra cooking time each time you open the lid.
- Have a heated platter or a dish cover ready to keep your food warm while making the trip back inside.
- Ideal foods for winter cooking are those that require little attention, such as roasts, whole chickens, ribs, and turkey. Make your meal preparation even easier by adding simple items such as vegetables and potatoes.

HOT WEATHER COOKING

As it becomes warmer outdoors, the cooking time will decrease. Follow these few suggestions on how to enjoy your grill throughout the hot months:

- Adjust your cooking temperatures downward. This helps to avoid unwanted flare-ups.
- Use a meat thermometer to determine the internal temperature of your foods. This helps in preventing your meat from over cooking and drying out.
- Even in hot weather it is still better to cook with the lid of your grill down.
- You can keep foods hot by wrapping them in foil, and placing them in an insulated cooler. Stuff crumpled up newspaper around the foil and this will keep food hot for 3 to 4 hours.

COOKING TEMPERATURES

Temperature readouts on the control board may not exactly match the dome thermometer. All temperatures listed below are approximate and are affected by the following factors: outside ambient temperature, the amount and direction of wind, the quality of pellet fuel being used, the lid being opened, and the quantity of food being cooked.

HIGH TEMPERATURE (205–315°C / 401–600°F)

This range is best used to sear and grill at a high heat. Use in tandem with the flame broiler for indirect or direct flame cooking. With the flame broiler slider open, direct flame is used to create those “blue” steaks, as well as flame-kissed vegetables, garlic toast or s'mores! When the flame broiler slider is closed, the air circulates around the barrel, resulting in convection heat. High temperature is also used to achieve high heat in extreme cold weather conditions.

MEDIUM TEMPERATURE (135–180°C / 275–356°F)

This range is best for baking, roasting, and finishing off that slow smoked creation. Cooking at these temperatures will greatly reduce the chances of a grease flare-up. Ensure that the flame broiler slider is in the closed position, covering the slotted openings. Great range for cooking anything wrapped in bacon, or where you want versatility with control.

LOW TEMPERATURE (82–125°C / 180–257°F)

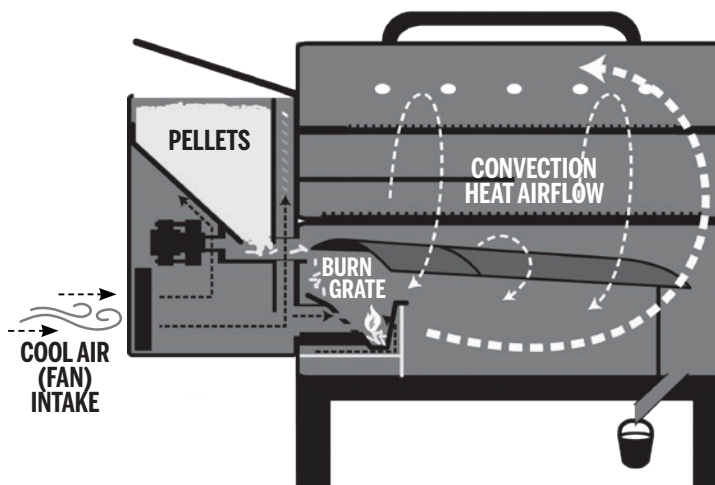
This range is used to slow roast, increase smoky flavor, and to keep foods warm. Infuse more smoke flavor and keep your meats juicy by cooking longer at a lower temperature (also known as low and slow). Recommended for the big turkey at Thanksgiving, juicy ham at Easter, or the huge holiday feast. Smoking is a variation on true barbecuing, and is truly the main advantage of grilling on a wood pellet grill.

Hot smoking, another name for low and slow cooking. Hot smoking works best when longer cooking time is required, such as large cuts of meats, fish, or poultry.

TIP: TO INTENSIFY THAT SAVORY FLAVOR, SWITCH TO A LOW TEMPERATURE RANGE IMMEDIATELY AFTER PREHEATING YOUR GRILL. THIS ALLOWS THE SMOKE TO PENETRATE THE MEATS.

The key is to experiment with the length of time you allow for smoking, before the meal is finished cooking. Some outdoor chefs prefer to smoke at the end of a cook, allowing the food to keep warm until ready to serve. Practice makes perfect!

AIRFLOW AND THE FEED SYSTEM



The heart of your grill lies in the relationship between the fan-forced convection airflow and the functionality of the auger feed system. The combustion/cooling fan blows air through the system, allowing the hot igniter air to light the pellets and catch fire in the burn grate. The auger feed system will continue to cycle on and off, feeding pellets to the burn grate.

To ensure the combustion air holes (airflow) in the burn grate are not clogged, proper maintenance and cleaning of this area is essential. If the grill is not achieving the desired temperature, check to ensure the burn grate holes are clear.

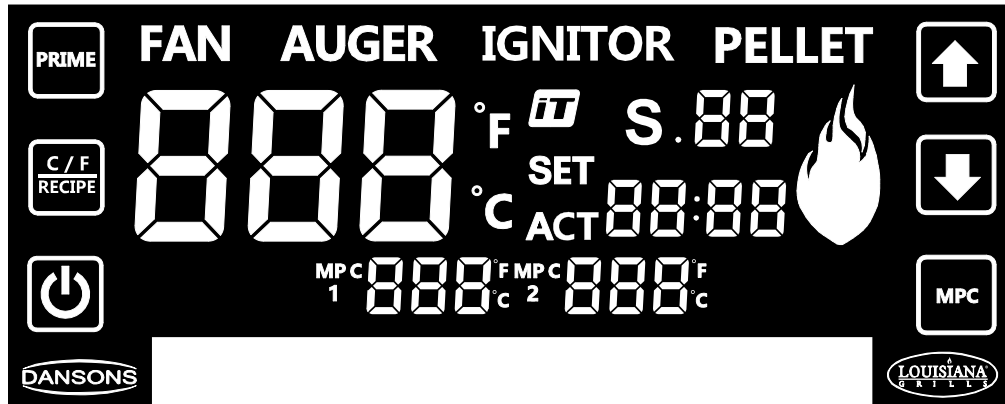
TIP: THE GRILL CAN RUN EFFICIENTLY OVER EXTENDED PERIODS OF TIME AS LONG AS THERE IS DRY AND SUFFICIENT FUEL, PROPER AIRFLOW, AND THE COOKING COMPONENTS ARE CLEAN.






The unique design of the Louisiana Grills® airflow system allows the majority of fly ash to be directed toward the bottom of the barrel, while directing the fan-forced convection heat to circulate around the Main Barrel. This type of airflow allows for a different quality of pellets to be used while reducing the possibility of fuel blockage and jams in the auger feed system.

CONTROL BOARD 101

This P.I.D. (proportional-integral-derivative) digital Control Board is very much the same as the controls on your kitchen oven. The main advantages are the ability to automatically compensate for the different ambient conditions and fuel types.

IMPORTANT: THE TEMPERATURE INSIDE OF ANY GRILL WILL VARY GREATLY FROM LOCATION TO LOCATION. EVEN INSTRUMENTS CALIBRATED TOGETHER MAY NOT AGREE WITH EACH OTHER.



CONTROL	DESCRIPTION
	Press and hold this button for three seconds to to Power On the unit. This will begin the automatic start-up cycle. Press and hold this button for three seconds to Power-down the unit, activating the automatic cool-down cycle. The button will flash white when connected to a power source, and light up solid white when the unit is on.
	The Smoke iT® icon indicates a connectivity with Wi-Fi. When searching for a connection by Wi-Fi or via Bluetooth®, the Smoke iT® icon will blink. Once a Wi-Fi connection has been established, the Smoke iT® icon will stay solid. When connected, get live updates about the actual and set temperatures of the grill, cooking time, and meat probe temperatures. It also allows you to adjust the settings of your Control Board.
	This button has two functions: Temperature Units Switch and Recipe Stages. <ol style="list-style-type: none"> Quick push of this button to activate the Temperature Units Switch, changing the temperature readout. Change between Celsius (°C) and Fahrenheit (°F), as preferred. Default is set to Fahrenheit. Press and hold this button for three seconds to access the Recipe settings.
	Press and hold the Prime Button to activate an extra feed of pellets to the burn grate. This can be used to add more fuel to the fire before opening the barrel lid, resulting in a quick heat recovery. It can also be used while smoking, to increase the intensity of clean smoke flavor. This feature was requested from competition cookers.
	Press the Adjustment Arrows to increase or decrease the temperature. The temperature displayed on the readout can be adjusted by 5 degree (F) increments. The temperature can be set to a low 82°C / 180°F, and peaks at a high of 315°C /600°F.

CONTROL	DESCRIPTION
	<p>This readout displays both the Actual and Set temperatures. The Actual temperature is constantly displayed unless the Set temperature is being adjusted. The Actual temperature is the temperature from inside the Main Barrel. The Actual temperature readout is taken by the grill probe (sensor) from the inside of the grill barrel.</p> <p>To show the Set temperature, press either of the Adjustment Arrows. The Set temperature is active when the readout is blinking. To adjust the Set temperature, press the up and down Adjustment Arrows, as needed. Once the desired Set temperature is reached, wait three seconds (to confirm the Set temperature), then the readout will return back to the Actual Temperature.</p>
	<p>Displays the Recipe Stages. There are nine Recipe Stages available to set. Adjust the settings of each Recipe Stage by using the Recipe Button and Adjustment Arrows. There are a total of nine Recipe Stages available to be programmed.</p>
	<p>Displays the Time set during the Recipe Stages. Press the Recipe Button to activate the Recipe settings. Use the Adjustment Arrows to switch through the Recipe Stages, one being the Time. Press the Recipe Button again to confirm the settings made.</p>
	<p>Press the MPC Button to activate the temperature settings of the Meat Probes. Press the MPC Button again to switch between the different Meat Probes.</p>
	<p>Displays the temperature of the connected Meat Probe(s). The displayed Meat Probe readout will correspond with the plug-in connection port selected. The Meat Probe ports are located on the front of the Control Board. When the MPC Button is pressed, the selected Meat Probe readout will blink and the letter 'C' (of MPC) will be on.</p> <p>When not in use, disconnect the Meat Probe from the connection port. Compatible with Louisiana Grills® branded meat probes only.</p>
	<p>The Flame icon visually displays the intensity of the fire in the burn grate. As the temperature increases from within the Main Barrel, the color of the Flame will turn from blue to red. The color will also change when you are adjusting the Set temperature.</p>
FAN	<p>The FAN icon is visible when the fan is in operation. When the fan stops working, the FAN icon blinks. See the section on troubleshooting for assistance.</p>
AUGER	<p>The AUGER icon is visible when the auger is turning. When the auger stops working, the AUGER icon blinks. See the section on troubleshooting for assistance.</p>
IGNITOR	<p>The IGNITOR icon is visible when the ignitor is in use. When the ignitor stops working, the IGNITOR icon blinks. See the section on troubleshooting for assistance.</p>
PELLET	<p>When the PELLETT icon is visible and blinking, the fire in the Burn Pot has gone out or the hopper may be empty. See the section on troubleshooting for assistance.</p>

CONTROL BOARD FUNCTIONS

SETTING THE GRILL TEMPERATURE

The Grill Probe measures the internal temperature of the Main Barrel. When the Set temperature is adjusted, the Grill Probe will read the Actual temperature inside the Main Barrel and adjust to the desired Set temperature.

IMPORTANT: THE TEMPERATURE OF YOUR UNIT IS HIGHLY DEPENDENT ON AMBIENT OUTDOOR WEATHER, QUALITY OF PELLETS USED, FLAVOR OF PELLETS, AND THE QUANTITY OF FOOD BEING COOKED.



SETTING/ADJUSTING THE SET TEMPERATURE

To adjust the desired Set temperature of the grill, follow the steps below:

1. Press either of the Adjustment Arrows. This will make the Set temperature readout blink, to show it is active.
2. Use the Adjustment Arrows again to adjust to your desired temperature.
3. Once the desired Set temperature is reached, wait three seconds (to confirm the Set temperature), and the readout will return back to the Actual Temperature.

USING THE MEAT PROBES

The meat probe measures the internal temperature of the meat on the grill, similar to your indoor oven. Insert the stainless-steel meat probe into the thickest portion of the meat. The internal temperature of the meat is shown on top of the Control Board screen. Plug-in the adapters to the meat probe connection ports and ensure it is inserted all the way into the plug. You will feel and hear it snap in place.

NOTE: WHEN PLACING THE MEAT PROBE INTO YOUR MEAT, ENSURE THE MEAT PROBE AND MEAT PROBE WIRES AVOID DIRECT CONTACT WITH FLAME OR EXCESS HEAT. THIS CAN RESULT IN DAMAGE TO YOUR MEAT PROBE. RUN THE EXCESS WIRE OUT THE REAR EXHAUST HOLES OF THE MAIN BARREL, THE TOP OF THE MAIN BARREL (NEAR THE GRILL LID HINGE), OR THROUGH THE FRONT HOLE NEAR THE HOPPER. WHEN NOT IN USE, DISCONNECT FROM THE MEAT PROBE CONNECTION PORT, AND PLACE IN THE HOLES ON THE HOPPER HANDLE TO KEEP PROTECTED AND CLEAN.



SETTING/ADJUSTING A MEAT PROBE SET TEMPERATURE

To adjust the desired Set temperature of a Meat Probe, follow the steps below:

1. Press the MPC Button. This will make the selected Meat Probe readout will blink and the letter 'C' (of MPC) will be on to show it is active. Press the MPC Button again to switch to the other Meat Probe to adjust.
2. When active, the readout of the Set temperature will blink. Use the Adjustment Arrows to adjust to the desired Set temperature of the Meat Probe selected.
3. Once the desired Set temperature is reached, the readout blinks for five seconds to confirm the Set temperature.

SETTING UP A RECIPE

The Recipe function allows the user to program cooking instructions, known as Recipe Stages, for the Control Board to follow and automatically run. These cooking instructions are a combination between Cooking temperature and Time. Starting from the first Recipe Stage (01), the Control Board will cycle through each Recipe Stage to cook the meal. When all the Recipe Stages are complete, the Control Board will automatically switch to a low temperature of 82°C / 180°F so that the meal stays warm until ready to serve. There are a total of nine Recipe Stages available to be programmed.



HOW TO PROGRAM A RECIPE STAGE

To set one or more of the Recipe Stages, follow the steps below:

1. Press and hold the Recipe Button for three seconds. This will make the Recipe Button blink to show the Recipe settings are active. This will also activate the Recipe Stages and the letter 'S' will be on to show it is active.
 - Use the Adjustment Arrows to select the Recipe Stage. Start with the first Recipe Stage (01).
 - When desired Recipe Stage is reached, press the Recipe Button to go to next setting.
 2. Set the Time hours. The hours of the Time readout will blink, to show it is selected.
 - Use the Adjustment Arrows to select the hours desired.
 - When desired hours are reached, press the Recipe Button to go to next setting.
 3. Set the Time minutes. The minutes of the Time readout will blink, to show it is selected.
 - Use the Adjustment Arrows to select the minutes desired.
 - When desired minutes are reached, press the Recipe Button to go to next setting.
 4. Set the Cook Temperature. The Cook temperature readout will blink, to show it is selected.
 - Use the Adjustment Arrows to select the desired temperature.
 - When desired Cook Temperature is reached, press and hold the Recipe Button to lock in all Recipe settings for that Recipe Stage. The Recipe Stage will then show 'CL'.
 - To set another Recipe Stage, quick press the Recipe Button to select another Recipe Stage, programming a multiple Recipe Stage cook. Repeat steps above, as desired.
- Or,
- Press and hold the Recipe Button a second time to exit the Recipe settings and run the Recipe. The Recipe Button will stop blinking.

NOTE: THE RECIPE STAGES WILL RESET WHEN THE UNIT IS SHUT-DOWN / TURNED OFF.

CONNECTING TO THE SMOKE IT® APP

Follow these instructions on how to connect your grill to the Smoke iT® app with your Android™ or iOS® device. The app will allow you to control and monitor your grill and meat probe temperatures from your mobile device. Enjoy the benefits that Smoke IT® mobile connectivity has to offer!

1. Download the Smoke iT® app. Open the app and allow Bluetooth® to be enabled for setup. New users will need to create an account and follow the prompts to login.
2. If you are within Bluetooth® range (9 m / 30 ft), the Smoke iT® app will automatically detect your grill. Select your grill model. If you do not see your grill on the screen, ensure your unit is connected to a power source and is turned on.
3. Name your grill model (ie. My Smoker) in the app and select "Connect" at the bottom of the screen. This will save your grill model in the devices menu.
4. From the devices menu, click the grill model to connect. This will show you the control board screen.
5. Click the settings option (gear) in the top-right corner, enter your Wi-Fi credentials, then click the check mark at the bottom of the screen to connect. Now both Bluetooth and Wi-Fi (cloud) icons will show on the devices menu, showing that the grill is connected.

NOTE: WHILE USING THE APP, THE SCREEN WILL SHINE BRIGHT WHEN THE GRILL IS ACTIVE AND CONNECTED. IF THE APP SCREEN OR GRILL GOES DARK ON THE DEVICES MENU, CHECK YOUR WIRELESS CONNECTION OR POWER SOURCE.

FIRST USE - BURN OFF

Before cooking on your grill for the first time, it is important to complete a unit Burn Off. Start the unit and operate at a temperature over 180°C / 350°F, with the lid down, for 30 to 40 minutes to Burn Off the unit and rid it of any foreign matter.

START-UP PROCEDURE

1. Plug the power cord into a grounded power source. Open the Main Barrel lid. Check the burn grate to ensure there is no obstruction for proper ignition. Open the hopper lid. Ensure there are no foreign objects in the hopper or auger feed system. Fill the hopper with dry, all natural barbecue hardwood pellets.
2. With the Main Barrel lid closed, press and hold the Power button for three seconds to turn on the unit. This will activate the start-up cycle: the feed system will begin to turn, the fan will start, and the igniter will begin to get hot. The grill will produce smoke while the start-up cycle is taking place. The pellets will have successfully ignited once the smoke has cleared. The start-up cycle lasts until the unit reaches a minimum temperature of 65°C / 150°F or the igniter times out (24 minutes).
3. Once the heavy, white smoke has dissipated, the start-up cycle is complete. Set your desired temperature to start grilling!

SHUT DOWN PROCEDURE

1. When finished cooking, keep the Main Barrel lid closed, press and hold the Power Button for three seconds to turn the unit off. This will activate the automatic cool-down cycle. The feed system will stop feeding fuel, the flame will burn out, and the fan will continue to run until the cool-down cycle is completed. Once the cool-down cycle is complete, the fan will turn off.

IMPORTANT! ONCE THE SHUT-DOWN CYCLE IS COMPLETE, UNPLUG THE POWER CORD.

COOKING GUIDELINES

Smoking and grilling styles of cooking can give you different results based on time and temperature. For best results, keep a record of what you cooked, at what temperature, how long you cooked for, and the results. Adjust to your taste for the next time. Practice makes perfect.

The culinary art of hot smoking refers to longer cooking times, but results in more natural wood flavor (and a sought-after smoke ring) on your meats. Higher cooking temperatures result in a shorter cooking time, locking in less smoke flavor.

TIP: FOR BEST RESULTS, ALLOW TIME FOR MEATS TO REST AFTER COOKING. THIS ALLOWS THE NATURAL JUICES TO MIGRATE BACK INTO THE MEAT FIBER, GIVING A MUCH JUICER, FLAVORFUL CUT. RESTING TIMES CAN BE AS LITTLE AS 3 MINUTES AND UP TO 60 MINUTES, DEPENDING ON THE SIZE OF THE PROTEIN.

STYLE OF COOKING

HOT SMOKING (Very Low)	ROAST (Low)	BAKING (Medium)	GRILL/BAKE (Medium/High)	SEAR (High)
93–135°C / 199 – 275°F	135–162°C / 275–323°F	162–190°C / 323–374°F	190–232°C / 374–449°F	232–315°C / 449–600°F

POULTRY	SIZE	RARE 54°C / 130°F	MEDIUM 60°C / 140°F	WELL DONE 77°C / 170°F
Turkey (<i>whole</i>)	4.5–5.0 kg / 10–11 lbs. 5.3–6.4 kg / 12–14 lbs. 6.8–7.7 kg / 15–17 lbs. 8.2–10.0 kg / 18–22 lbs. 10.4–11.3 kg / 23–25 lbs.			Grill 90–120 minutes Grill 110–140 minutes Grill 130–160 minutes Grill 140–170 minutes Grill 150–180 minutes
Chicken (<i>whole</i>)	1.36–2.26 kg / 3–5 lbs.			Grill 1–1.5 hours
Drumsticks, Breasts	0.45–0.86 kg / 1–1½ lbs.			Grill 30–60 minutes
Small Game Birds	0.45–0.86 kg / 1–1½ lbs.			Grill 30–45 minutes
Duck	1.36–2.26 kg / 3–5 lbs.			Roast or grill 2–2.5 hours

PORK	SIZE	PRECOOKED TO REHEAT 60°C / 140°F	MEDIUM 66°C / 150°F	WELL DONE 71°C / 160°F
Ham (<i>Fully Cooked & Boneless Portion, Smoked Picnic Whole & Bone-In</i>)	2.5 cm / 1" 1.36–1.81 kg / 3–4 lbs. 1.81–2.72 kg / 4–6 lbs. 2.26–3.62 kg / 5–8 lbs. 4.53–5.44 kg / 10–12 lbs.	12 minutes 50 minutes - 1 hour 1–2 hours 1–2½ hours 2–2¾ hours		
Loin Roast	1.36–1.81 kg / 3–4 lbs.		1–2 hours	2–3 hours
Rib Crown Roast	1.81–2.26 kg / 4–5 lbs.		1½–2 hours	2–3 hours
Chop (<i>loin, rib</i>)	1.9–2.5 cm / ¾"–1" 3.1–3.9 cm / 1¼"–1½"		10–12 minutes 14–18 minutes	
Tenderloin	1.9–2.5 cm / ¾"–1"		20–30 minutes	30–45 minutes
Loin Roast (<i>boneless</i>)	1.36–2.26 kg / 3–5 lbs.		1¼–1¾ hours	1¾–2½ hours
Boston Butt (<i>Pork Shoulder</i>)	3.62–4.53 kg / 8–10 lbs.			93–98°C / 200–210°F Internal Temperature

BEEF	SIZE	HEAT	RARE 54°C / 130°F	MEDIUM 60°C / 140°F	WELL DONE 65°C / 150°F
Steak (<i>New York, Porterhouse, Rib-eye, Sirloin, T-bone, or Tenderloin</i>)	1.9 cm / ¾" 2.5 cm / 1" 3.8 cm / 1½" 5 cm / 2"	High	Sear 8–10 minutes Sear 10–12 minutes Sear 10 minutes, grill 8–10 minutes Sear 10 minutes, grill 10–14 minutes		
Skirt Steak	0.6–12.7 cm / ¼"–½"	High	Sear 5–7 minutes		
Flank Steak	0.45–0.86 kg / 1–1½ lbs. 1.9 cm / ¾"	Medium	Sear 4 minutes, grill 8–10 minutes		
Kabob	2.5–3.8 cm / 1–1½" cubes	Medium	Grill 10–12 minutes		
Tenderloin, whole	1.58–1.81 kg / 3½–4 lbs.	High/Medium	Sear 10 minutes, grill 15–20 minutes		
Ground Beef Patty	1.9 cm / ¾"	High/Medium	Sear 4 minutes, grill 4–6 minutes		
Rib-eye Roast (<i>boneless</i>)	2.26–2.72 kg / 5–6 lbs.	Medium	Grill 1½–2 hours		
Tri-tip Roast	0.9–1.13 kg / 2–2½ lbs.	High/Medium	Sear 10 minutes, grill 20–30 minutes		
Rib Roast	5.44–6.35 kg / 12–14 lbs.	Medium	2½–2¾ hours		
Veal Loin Chop	2.5 cm / 1"	Medium	10–12 minutes direct		
Brisket	7.25–3.62 kg / 16–18 lbs.	Hot Smoke	Cook until internal temperature reaches 91°C / 195°F		

LAMB	SIZE	RARE 54°C / 130°F	MEDIUM 60°C / 140°F	WELL DONE 71°C / 160°F
Roast (<i>fresh</i>)	2.26–2.72 kg / 5–6 lbs.		1–2 hours	
Rib Crown Roast	1.36–2.26 kg / 3–5 lbs.		1–1½ hours	1½ hours

SEAFOOD	SIZE	RARE 54°C / 130°F	MEDIUM 60°C / 140°F	WELL DONE 82°C / 180°F
Fish (<i>whole</i>)	0.5 kg / 1 lb. 0.9–1.1 kg / 2–2½ lbs. 1.4 kg / 3 lbs.			Grill 10–20 minutes Grill 20–30 minutes Grill 30–45 minutes
Fish (<i>filets</i>)	0.6–1.3 cm / ¼"–½"			Grill 3–5 minutes, until flaky
Lobster Tail	0.15 kg / 5 oz. 0.3 kg / 10 oz.			Grill 5–6 minutes Grill 10–12 minutes

WILD GAME	SIZE	RARE 60°C / 140°F	MEDIUM 71°C / 160°F	WELL DONE 77°C / 170°F
Roast (<i>fresh</i>)	2.26–2.72 kg / 5–6 lbs.		1–1½ hours	1½–2 hours
Large Cuts (<i>fresh</i>)	3.62–4.53 kg / 8–10 lbs.		1 hours	1½ hours

TIPS & TECHNIQUES

Follow these helpful tips and techniques, passed on from Louisiana Grills® owners, our staff, and customers just like you, to become more familiar with your grill:

FOOD SAFETY

- Keep everything in the kitchen and cooking area clean. Use different platters and utensils for the cooked meat than the ones you used to prepare or transport the raw meat out to the grill. This will prevent cross contamination of bacteria. Each marinade or basting sauce should have its own utensil.
- Keep hot foods hot (above 60°C / 140°F), and keep cold foods cold (below 3°C / 37°F).
- A marinade should never be saved to use at a later time. If you are going to use it to serve with your meat, be sure to bring it to a boil before serving.
- Cooked foods should not be left out in the heat for more than an hour. Do not leave hot foods out of refrigeration for more than two hours.
- Defrost and marinate meats by refrigeration. Do not thaw meat at room temperature or on a counter top. Bacteria can grow and multiply rapidly in warm, moist foods. Wash hands thoroughly with hot, soapy water before starting any meal preparation and after handling fresh meat, fish and poultry.

COOKING PREPARATION

- Be prepared, or Mise en Place. This refers to preparing the cooking recipe, fuel, accessories, utensils, and all ingredients you require at grill side before you start cooking. Also, read the entire recipe, start to finish, before lighting the grill.
- A barbecue floor mat is very useful. In the event of food handling accidents and cooking spatter, a barbecue floor mat would protect a deck, patio, or stone platform from the possibility of grease stains or accidental spills.

GRILLING TIPS AND TECHNIQUES

- To infuse more smoke flavor into your meats, cook for longer and at lower temperatures (also known as low and slow). Meat will close its fibers after it reaches an internal temperature of 49°C / 120°F. Misting, or mopping, are great ways to keep meat from drying out.
- While searing your meats, cook with the lid down. Always use a meat thermometer to determine the internal temperature of the foods you are cooking. Smoking foods with hardwood pellets will turn meats and poultry pink. The band of pink (after cooking) is referred to as a smoke ring and is highly prized by outdoor chefs.
- Sugar-based sauces are best applied near the end of cooking to prevent burning and flare-ups.
- Leave open space between the foods and the extremities of the barrel for proper heat flow. Food on a crowded grill will require more cooking time.
- Use a set of long-handled tongs for turning meats, and a spatula for turning burgers and fish. Using a piercing utensil, such as a fork, will prick the meat and allow the juices to escape.
- Foods in deep casserole dishes will require more time to cook than a shallow baking pan.
- It's a good idea to put cooked food onto a heated platter, keeping the food warm. Red meats, such as steak and roasts, benefit from resting for several minutes before serving. It allows the juices that were driven to the surface by heat to ease back to the centre of the meat, adding more flavor.

CARE & MAINTENANCE

Any Louisiana Grills® appliance will give you many years of flavorful service with minimum cleaning. Follow these cleaning and maintenance tips to service your grill:

HOPPER ASSEMBLY

- Quick part checks ensure that all hopper electrical components continue to function properly. Once the hopper access panel is removed (see Electric Wire Diagram for diagram), confirm that the igniter is free of debris or blockages. Also check to ensure the four set screws are snug, keeping the igniter straight and centred in the stainless steel casing.
- Check and clean off any debris from the fan air intake vents, found on the exterior front and back sides of the hopper. Carefully, wipe off any grease build-up directly on the fan blades. This ensures airflow is sufficient to the feed system.

HOPPER CLEAN-OUT FEATURE

The hopper includes a clean-out feature to allow for easy cleaning and the ability to change out wood pellet fuel flavors. To empty, follow these steps:

1. Locate the clean-out door and door hook on the back side of the hopper.
2. Rotate the door hook (at the top) to the right so it is detached from the release latch rod. Place a clean, empty pail under the clean-out door and allow the door to lower.
3. Lift the release latch rod to open the drop-chute door, allowing the pellets from the hopper to empty.
4. Use a long handled brush or wet/dry vacuum to remove excess pellets, sawdust, and debris for a complete clean-out through the hopper screen.

PROBES

- Kinks or folds in the probe wires may cause damage to the part. Wires should be rolled up in a large, loose coil.
- Although both the temperature probe and the meat probes are stainless steel, do not place in the dishwasher or submerge in water. Water damage to the internal wires will cause a probe to short-out, causing false readings. If a probe is damaged, it should be replaced.

INSIDE SURFACES

- It is recommended to clean your burn grate after every few uses. This will ensure proper ignition and avoid any hard build-up of debris or ash in the burn pot.
- Use a long-handled grill cleaning brush, remove any food or build-up from the cooking grids. Best practice is to do this while they are still warm from a previous cook. Grease fires are caused by too much fallen debris on the cooking components of the grill. Clean the inside of your grill on a consistent basis. In the event you experience a grease fire, keep the grill lid closed to choke out the fire. If the fire does not go out quickly, carefully remove the food, turn the grill off, and shut the lid until the fire is completely out. Lightly sprinkle baking soda, if available.
- Check your grease bucket often, and clean out as necessary. Keep in mind the type of cooking you do.

IMPORTANT: DUE TO HIGH HEAT, DO NOT COVER THE FLAME BROILER OR PROBES WITH ALUMINUM FOIL.

OUTSIDE SURFACES

- Wipe your grill down after each use. Use warm soapy water to cut the grease. Do not use oven cleaner, abrasive cleansers or abrasive cleaning pads on the outside grill surfaces. All painted surfaces are not covered under warranty, but rather are part of general maintenance and upkeep. For paint scratches, wearing, or flaking of the finish, all painted surfaces can be touched up using high heat BBQ paint.
- Use a grill cover to protect your grill for complete protection! A cover is your best protection against weather and outside pollutants. When not in use or for longterm storage, keep the unit under a cover in a garage or shed.

CLEANING FREQUENCY TIME TABLE (NORMAL USE)

ITEM	CLEANING FREQUENCY	CLEANING METHOD
Bottom of Main Barrel	Every 5-6 Grill Sessions	Scoop Out, Wet/dry vacuum Excess Debris
Burn Grate, Burn Pot	Every 2-3 Grill Sessions	Scoop Out, Wet/dry vacuum Excess Debris
Cooking Grids	After Each Grill Session	Burn Off Excess, Grill Cleaning Brush
Flame Broiler	Every 5-6 Grill Sessions	Scrape Main Plate with Slider, Do Not Wash Clean
Grease Bucket	15 Days	Scrub Pad & Soapy Water
Auger Feed System	When Pellet Bag is Empty	Allow Auger to Push Out Sawdust, Leaving Hopper Empty
Hopper Electric Components	Once A Year	Remove Access Panel, Wipe Fan Blades with Soapy Water
Air Exhaust Vents	Every 5-6 Grill Sessions	Scrub Pad & Soapy Water
Probes	Every 2-3 Grill Sessions	Scrub Pad & Soapy Water

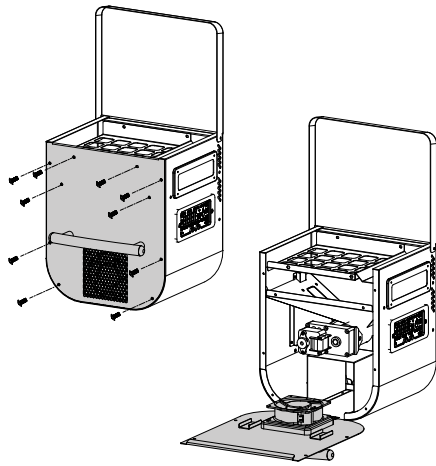
TROUBLESHOOTING

Proper cleaning, maintenance and the use of clean, dry, quality fuel will prevent common operational problems. When your Louisiana Grills® grill is operating poorly, or on a less frequent basis, the following troubleshooting tips may be helpful. For FAQ, please visit www.louisiana-grills.com. You may also contact your local Louisiana Grills® authorized dealer or contact Customer Care for assistance.

WARNING: ALWAYS DISCONNECT THE ELECTRICAL CORD PRIOR TO OPENING THE GRILL FOR ANY INSPECTION, CLEANING, MAINTENANCE OR SERVICE WORK. ENSURE THE GRILL IS COMPLETELY COOLED TO AVOID INJURY.

PROBLEM	POSSIBLE CAUSES	SOLUTION
Power light not flashing on Control Board	Not connected to power source	Ensure unit is plugged into a working power source. Reset breaker. Ensure GFCI is a minimum 10 amp service (see electric wire diagram for access to electric components). Ensure all wire connections are firmly connected and dry.
	Fuse blown	Disconnect the unit from the power source and remove hopper access panel (see electric wire diagram for diagram). Pull the Control Board out and then check the fuse for a broken wire or if the wire has turned black. If yes, fuse needs to be manually replaced.
	The GFCI outlet has been tripped	Remove hopper access panel (see electric wire diagram for diagram), and ensure all wire connections are firmly connected and dry. Ensure GFCI is a minimum 10 amp service.
	Faulty Control Board	Control Board needs to be replaced. Contact Customer Care for replacement part.
Fire in burn grate will not light	Burn grate	Check burn grate for proper positioning. Follow care and maintenance for ash build-up.
	Auger motor is jammed	Turn the unit off by pressing and holding the power button for three seconds. Remove the cooking components from the Main Barrel. Press and hold the Power button for three seconds to turn the unit on, and inspect the auger feed system. Visually confirm that the auger is dropping pellets into the burn grate. If not operating properly, call Customer Care for assistance.
Readout of actual temperature will not adjust	Grill probe dirty	Follow care and maintenance instructions.
	Grill probe is broken	Grill probe needs to be replaced. Contact Customer Care.
Frequent flare-ups	Cooking temperature	Attempt cooking at a lower temperature. Grease does have a flash point. Keep the temperature under 180°C / 350°F when cooking highly greasy food.
	Grease build-up	Follow care and maintenance instructions.
	Flame broiler is open	Close the flame broiler for indirect flame cooking.
Grill produces excess or discolored smoke	Grease build-up	Follow care and maintenance instructions.
	Wood pellet quality	Remove moist wood pellets from hopper. Follow care and maintenance instructions to clean out. Replace with dry wood pellets.
	Burn grate is blocked	Clear burn grate of moist, wood pellets. Follow hopper priming procedure.
	Insufficient air intake for fan	Check fan. Ensure it is working properly and air intake is not blocked. Follow care and maintenance instructions if dirty.
Grill will not achieve or maintain stable temperature	Insufficient air flow through burn grate	Check proper positioning of cooking components. Check burn grate for proper positioning. Follow care and maintenance instructions for ash build-up. Check that the air intake for the fan is not blocked. If no blockage, remove hopper access panel (see electric wire diagram for diagram) and locate the blue and white fan wires. Ensure that connection is tight by lightly tugging on each wire. If loose, push back into connector until it clicks. Check fan blades for cleanliness.
	Lack of fuel, poor fuel quality, obstruction in feed system	Check hopper to check that fuel level is sufficient, and replenish if low. Should the quality of wood pellets be poor, or the length of the pellets too long, this may cause an obstruction in the feed system. Remove pellets and follow care and maintenance instructions.
	Grill probe	Check status of grill probe. Follow care and maintenance instructions if dirty. Contact Customer Care for a replacement part if damaged.

Er1 Error Code	Grill probe is not making a connection	Check for damage to the grill probe. Follow care and maintenance instructions if dirty. If all appears in working order, check the connection to the digital Control Board. Unplug unit from power source. Remove hopper access panel (see electric wire diagram for diagram). Locate the white wires of the grill probe. Disconnect the spade connectors, then reconnect until it clicks. Replace the hopper access panel.
ErH Error Code	The unit has overheated, possibly due to grease fire or excess fuel	Unplug unit from power source and allow to cool. Follow care and maintenance instructions. Remove ashes and unburnt pellets from burn grate and bottom of the grill. Check burn grate for proper positioning. Check proper positioning of cooking components. After maintenance, plug unit into power source and press and hold the Power button for three seconds to turn the unit on. If error code is still displayed, contact Customer Care.
FAN Icon Is Blinking	Fan is not making a connection	Unplug unit from power source. Remove hopper access panel (see electric wire diagram for diagram). Locate the blue and white wires of the fan. Check fan blades for damage. Follow care and maintenance instructions if dirty. Disconnect the spade connectors, then reconnect until it clicks. Replace the hopper access panel. If error code is still displayed, contact Customer Care.
IGNITOR Icon Is Blinking	Igniter is not making a connection	Unplug unit from power source. Remove hopper access panel (see electric wire diagram for diagram). Locate the red and white wires of the igniter. Disconnect the spade connectors, then reconnect until it clicks. Replace the hopper access panel. If error code is still displayed, contact Customer Care.
AUGER Icon Is Blinking	Auger motor is not making a connection	Unplug unit from power source. Remove hopper access panel (see electric wire diagram for diagram). Locate the yellow and white wires of the auger motor. Check auger motor and bracket for damage. Disconnect the spade connectors, then reconnect until it clicks. Replace the hopper access panel. If error code is still displayed, contact Customer Care.
PELLET Icon Is Blinking	Lack of fuel, poor fuel quality, obstruction in feed system	Check hopper to check that fuel level is sufficient, and replenish if low. Should the quality of wood pellets be poor, or the length of the pellets too long, this may cause an obstruction in the feed system. Remove pellets and follow care and maintenance instructions.



ELECTRICAL COMPONENTS

The Digital Control Board system is an intricate and valuable piece of technology. For protection from power surges and electrical shorts, consult the wire diagram below to ensure your power source is sufficient for the operation of the unit.

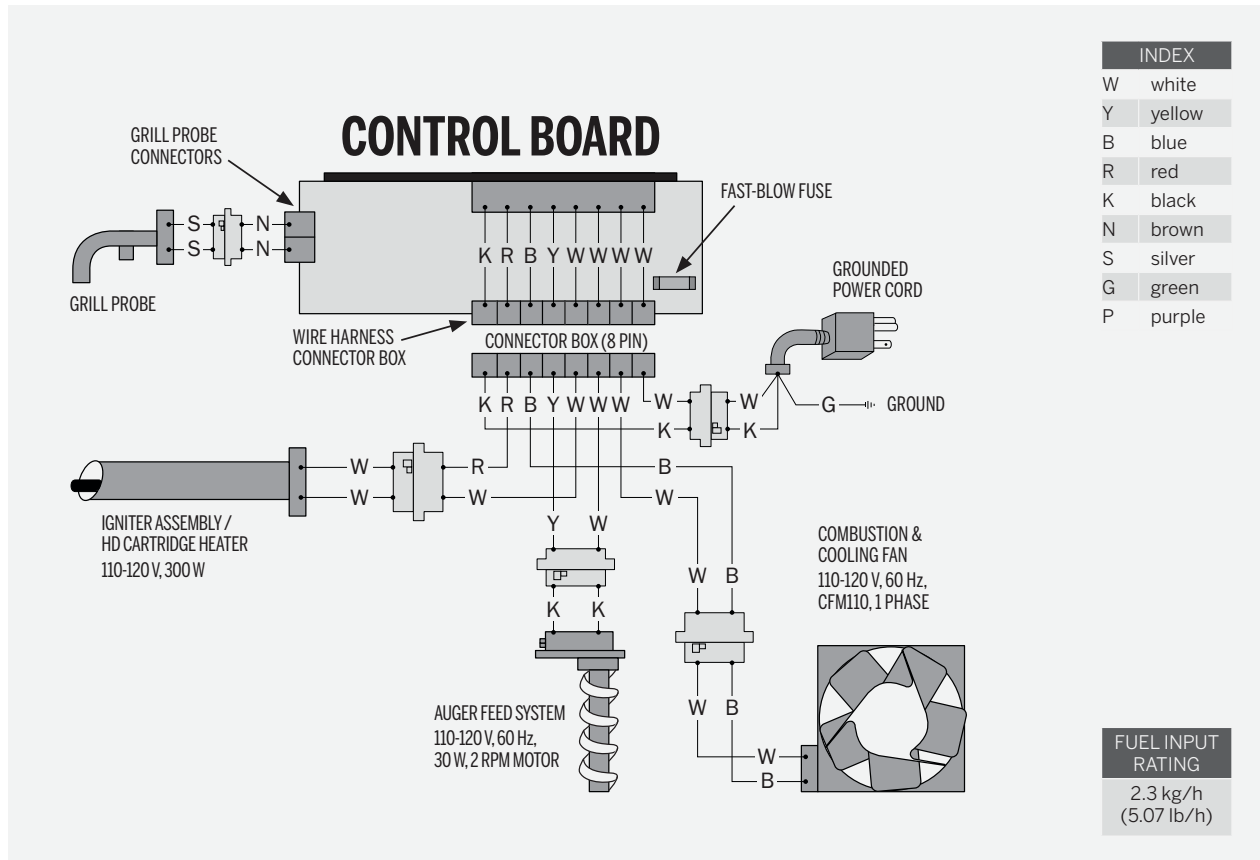
HOPPER ACCESS PANEL

Locate the ten screws on side of the hopper to access the electrical components. Once the screws are removed, the access panel can open, hanging by the bottom hinge.

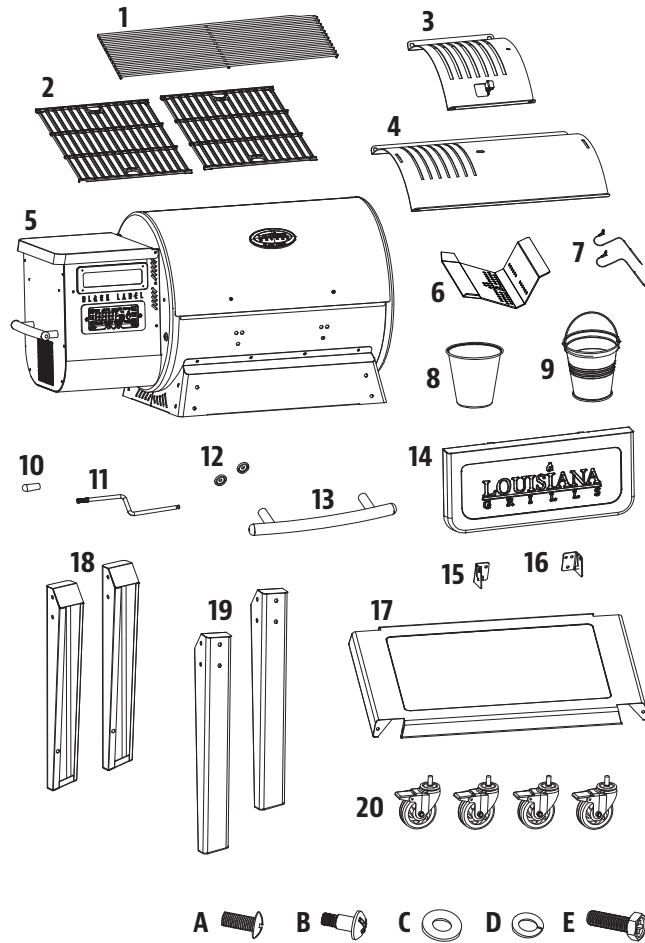
ELECTRIC REQUIREMENTS

110-120 V, 60 Hz, 375 W, 3-prong grounded plug

NOTE: Electrical components, passed by product safety testing and certification services, comply with a testing tolerance of ± 5-10 percent.



REPLACEMENT PARTS



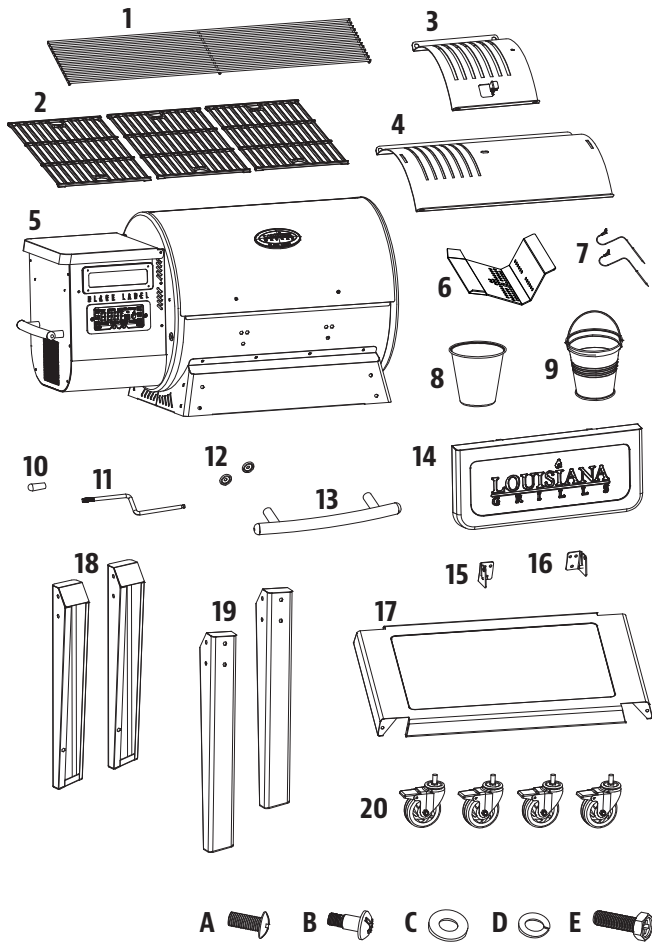
LG0800BL

NOTE: Due to ongoing product development, parts are subject to change without notice.

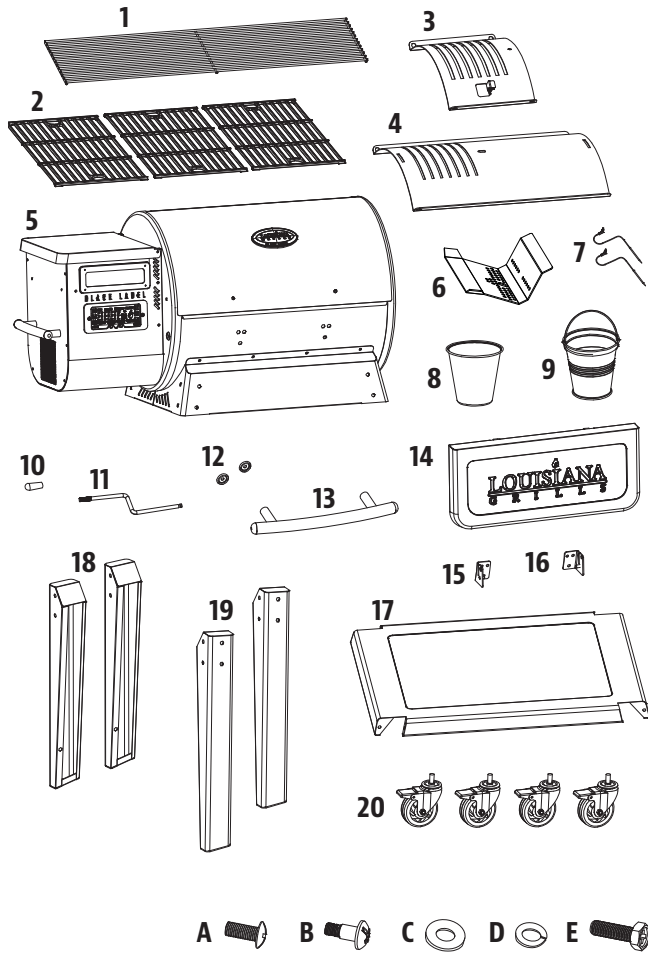
PART#	DESCRIPTION
1	Upper Cooking Rack (x1)
2	Cooking Grids (x2)
3	Flame Broiler Slider (x1)
4	Flame Broiler Main Plate (x1)
5	Main Barrel / Hopper Assembly (x1)
6	Burn Grate (x1)
7	Meat Probe (x2)
8	Grease Bucket Liner (x1)
9	Grease Bucket (x1)
10	Flame Broiler Adjusting Bar Handle (x1)
11	Flame Broiler Adjusting Bar (x1)
12	Lid Handle Bezel (x2)
13	Lid Handle (x1)
14	Front Shelf (x1)
15	Front Shelf Bracket / Left (x1)
16	Front Shelf Bracket / Right (x1)
17	Bottom Shelf (x1)
18	Support Leg A (x2)
19	Support Leg B (x2)
20	Locking Caster Wheel (x4)
A	Screw (x30)
B	Screw (x2)
C	Washer (x32)
D	Locking Washer (x32)
E	Screw (x2)

LG1000BL

NOTE: Due to ongoing product development, parts are subject to change without notice.



PART#	DESCRIPTION
1	Upper Cooking Rack (x1)
2	Cooking Grids (x3)
3	Flame Broiler Slider (x1)
4	Flame Broiler Main Plate (x1)
5	Main Barrel / Hopper Assembly (x1)
6	Burn Grate (x1)
7	Meat Probe (x2)
8	Grease Bucket Liner (x1)
9	Grease Bucket (x1)
10	Flame Broiler Adjusting Bar Handle (x1)
11	Flame Broiler Adjusting Bar (x1)
12	Lid Handle Bezel (x2)
13	Lid Handle (x1)
14	Front Shelf (x1)
15	Front Shelf Bracket / Left (x1)
16	Front Shelf Bracket / Right (x1)
17	Bottom Shelf (x1)
18	Support Leg A (x2)
19	Support Leg B (x2)
20	Locking Caster Wheel (x4)
A	Screw (x30)
B	Screw (x2)
C	Washer (x32)
D	Locking Washer (x32)
E	Screw (x2)



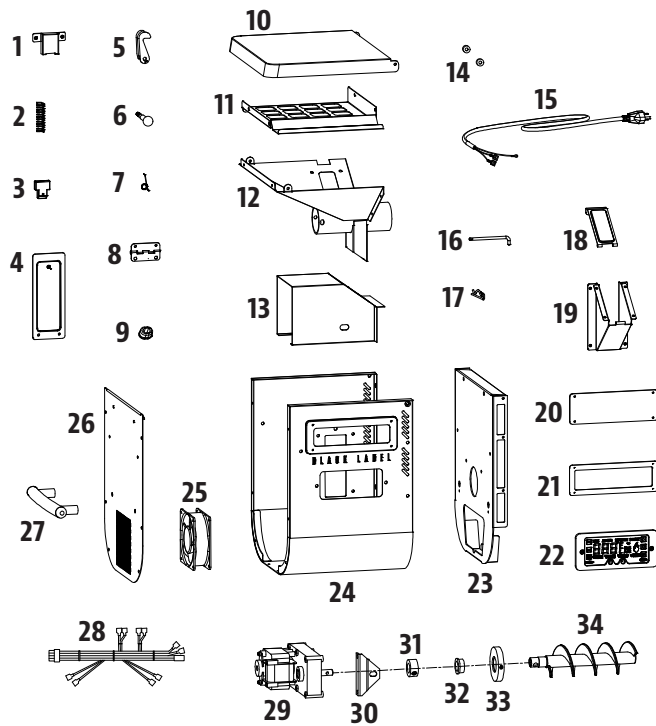
LG1200BL

NOTE: Due to ongoing product development, parts are subject to change without notice..

PART#	DESCRIPTION
1	Upper Cooking Rack (x1)
2	Cooking Grids (x3)
3	Flame Broiler Slider (x1)
4	Flame Broiler Main Plate (x1)
5	Main Barrel / Hopper Assembly (x1)
6	Burn Grate (x1)
7	Meat Probe (x2)
8	Grease Bucket Liner (x1)
9	Grease Bucket (x1)
10	Flame Broiler Adjusting Bar Handle (x1)
11	Flame Broiler Adjusting Bar (x1)
12	Lid Handle Bezel (x2)
13	Lid Handle (x1)
14	Front Shelf (x1)
15	Front Shelf Bracket / Left (x1)
16	Front Shelf Bracket / Right (x1)
17	Bottom Shelf (x1)
18	Support Leg A (x2)
19	Support Leg B (x2)
20	Locking Caster Wheel (x4)
A	Screw (x30)
B	Screw (x2)
C	Washer (x32)
D	Locking Washer (x32)
E	Screw (x2)

HOPPER

NOTE: Due to ongoing product development, parts are subject to change without notice.



PART#	DESCRIPTION
1	Hopper Clean-out Lock Guider (x1)
2	Hopper Clean-out Lock Spring (x1)
3	Hopper Clean-out Lock Strike Box (x1)
4	Hopper Clean-out Door (x1)
5	Hopper Clean-out Lock Latch (x1)
6	Hopper Clean-out Knob, Connector (x1)
7	Hopper Clean-out Door Spring (x1)
8	Short Hinger (x1)
9	Power Cord Buckle (x1)
10	Hopper Lid (x1)
11	Hopper Safety Screen (x1)
12	Hopper Body Assembly (x1)
13	Air Flow Channel (x1)
14	Plastic Washers (x2)
15	Power Cord (x1)
16	Hopper Clean-out Axis (x1)
17	R-pin (x1)
18	Hopper Clean-out Door Frame (x1)
19	Hopper Clean-out Diversion Channel (x1)
20	Hopper Sight Glass (x1)
21	Hopper Site Glass Frame (x1)
22	Control Board (x1)
23	Hopper Front Panel (x1)
24	Hopper Housing (x1)
25	Fan (x1)
26	Hopper Access Panel (x1)
27	Hopper Side Handle (x1)
28	Wire Harness (x1)
29	Auger Motor (x1)
30	Auger Mounting Bracket (x1)
31	Lock Collar (x1)
32	Nylon Bushing (x1)
33	Metal End Cap (x1)
34	Auger Flighting (x1)

WARRANTY

CONDITIONS

All wood pellet grills by Louisiana Grills®, manufactured by Dansons, carry a limited warranty from the date of sale by the original owner. The warranty coverage begins on the original date of purchase and proof of date of purchase, or copy of original bill of sale, is required to validate the warranty. Customers will be subject to parts, shipping, and handling fees if unable to provide proof of purchase or after the warranty has expired.

Dansons carries a five (5) year warranty against defects and workmanship on all steel parts (excluding the burn grate), and five (5) years on electrical components. Dansons warrants that all part(s) are free of defects in material and workmanship, for the length of use and ownership of the original purchaser. There is no specific warranty on the grill probe, meat probe, paint, powder coat finish, burn grate, grill cover and all gaskets or against damage caused from corrosion. Warranty does not cover damage from wear and tear, such as scratches, dents, dings, chips or minor cosmetic cracks. These aesthetic changes of the grill do not affect its performance. Repair or replacement of any part does not extend past the limited warranty.

During the term of the warranty, Dansons' obligation shall be limited to furnishing a replacement for defective and/or failed components. As long as it is within the warranty period, Dansons' will not charge for repair or replacement for parts returned, freight prepaid, if the part(s) are found by Dansons' to be defective upon examination. Dansons' shall not be liable for transportation charges, labor costs, or export duties. Except as provided in these conditions of warranty, repair or replacement of parts in the manner and for the period of time mentioned heretofore shall constitute the fulfillment of all direct and derivative liabilities and obligations from Dansons to you.

Dansons takes every precaution to utilize materials that resist rust. Even with these safeguards, the protective coatings can be compromised by various substances and conditions beyond Dansons' control. High temperatures, excessive humidity, chlorine, industrial fumes, fertilizers, lawn pesticides and salt are some of the substances that can affect metal coatings. For these reasons, the warranty does not cover rust or oxidation, unless there is loss of structural integrity on the grill component. Should any of the above occur, kindly refer to the care and maintenance section to prolong the lifespan of your unit. Dansons recommends the use of a grill cover when the grill is not in use.

This warranty is based on normal domestic use and service of the grill, and neither limited warranty coverage's apply for a grill which is used in commercial applications.

EXCEPTIONS

There is no written or implied performance warranty on Louisiana Grills® units, as the manufacturer has no control over the installation, operation, cleaning, maintenance or the type of fuel burned. This warranty will not apply nor will Dansons assume responsibility if your unit has not been installed, operated, cleaned and maintained in strict accordance with this owner's manual. Burning other than quality wood pellets may void the warranty. The warranty does not cover damage or breakage due to misuse, improper handling or modifications.

Neither Dansons, or authorized Louisiana Grills® dealer, accepts responsibility, legal or otherwise, for the incidental or consequential damage to the property or persons resulting from the use of this product. Whether a claim is made against Dansons based on the breach of this warranty or any other type of warranty expressed or implied by law, the manufacturer shall in no event be liable for any special, indirect, consequential or other damages of any nature whatsoever in excess of the original purchase of this product. All warranties by manufacturer are set forth herein and no claim shall be made against manufacturer on any warranty or representation.

Some states do not allow the exclusion or limitation of incidental or consequential damages, or limitations of implied warranties, so the limitations or exclusions set forth in this limited warranty may not apply to you. This limited warranty gives you specific legal rights and you may have other rights, which vary from state to state.

WARRANTY SERVICE

Contact your nearest Louisiana Grills® dealer for repair or replacement parts. Dansons requires proof of purchase to establish a warranty claim; therefore, retain your original sales receipt or invoice for future reference. The serial and model number of your Louisiana Grills® unit can be found on the hopper. Record numbers below as the label may become worn or illegible.

MODEL

SERIAL NUMBER

DATE OF PURCHASE

AUTHORIZED DEALER

CONTACT CUSTOMER CARE

IF YOU HAVE ANY QUESTIONS OR PROBLEMS, CONTACT CUSTOMER CARE.

WWW.LOUISIANA-GRILLS.COM

RECIPES

DIFFICULTY: EASY
COOKING METHOD: SMOKING
SERVINGS: 8
PREP TIME: 10 MINUTES
COOK TIME: 480 MINUTES

PELLET FLAVOR:

- HICKORY
- OAK
- MESQUITE
- PECAN

DIFFICULTY: EASY
COOKING METHOD: SMOKING
SERVINGS: 4
PREP TIME: 10 MINUTES
COOK TIME: 315 MINUTES

PELLET FLAVOR:

- COMPETITION BLEND
- HICKORY
- MESQUITE

CLASSIC SMOKED BRISKET

A Classic Smoked Brisket recipe should be simple to follow and uses basic ingredients. Why? Because, the meat should be the star of the show. With this brisket recipe, there is no need to over-complicated the process and there will be so much natural flavor, little more than a simple rub is needed for a great bark.

INGREDIENTS:

1 Beef Brisket, 12-15 lbs (5.4-6.8kg)
 Louisiana Grills® Beef and Brisket Rub

INSTRUCTIONS:

- Turn on your grill. Let the fire catch, then set your grill to 225°F (107°C). While the grill is heating up, trim your brisket of excess fat by leaving about one quarter of an inch of fat so the meat stays moist during the long cooking process.
- Season with your favorite rub - whatever floats your boat! Place your brisket on the grates of the grill, fat side up. Let it smoke for about 8 - 10 hours, or until the internal temperature reaches 190°F (87°C).
- Remove the meat from the grill. Wrap in pink butcher paper, then wrap that in a towel. Let it rest in a cooler for up to an hour so the juices can sit.
- Slice against the grain and enjoy!

TIP: TO SPEED UP THE STALL (THE POINT DURING THE COOK WHERE THE INTERNAL TEMPERATURE STALLS FOR A LONG PERIOD OF TIME BEFORE RISING AGAIN) TRY WRAPPING YOUR BRISKET TIGHTLY IN ALUMINUM FOIL OR PINK BUTCHER PAPER WITH A LITTLE BIT OF LIQUID INSIDE (BEEF STOCK IS GOOD) AND THROW BACK ON THE GRILL UNTIL IT REACHES YOUR DESIRED TEMPERATURE.

BASIC SMOKED RIBS

This Easy Smoked Ribs recipe takes little effort but delivers big, sweet pork flavors. Using 2 racks of baby back ribs, the low and slow four and a half hour smoke renders them juicy, smoky and delicious. The last 45 minutes of the cook is dedicated to locking in those flavors and sealing them with a nice crust as the ribs cook inside foil at temperatures of 350°F (176°C).

INGREDIENTS:

2 Racks, Baby Back Ribs
 Louisiana Grills® Sweet Rib Rub

INSTRUCTIONS:

- Turn on your grill. Let the fire catch, then set your grill to 225°F (107°C). While the grill is heating up, Remove the membrane on the reverse side of the ribs by sliding a butter knife under the membrane and breaking it. With a piece of paper towel, grab the broken membrane and peel back until the entire membrane is removed.
- Season both sides of the ribs with Sweet Rib Rub. Place the ribs, meat side up, on the grates of the grill and close the lid. Smoke for about 4 and a half hours.
- Wrap in foil and return to the grill at 350°F (176°C) for another 45 minutes.
- Pull your ribs off the grill and rest for 10 minutes.
- Slice and serve hot. Enjoy!

TIP: FOR COMPLEX FLAVORS, SPREAD COARSE SEED MUSTARD ON THE RIBS BEFORE APPLYING THE RIB RUB.

DIFFICULTY: EASY
COOKING METHOD: GRILLING
SERVINGS: 4
PREP TIME: 60 MINUTES
COOK TIME: 20 MINUTES

PELLET FLAVOR:

- APPLE
- COMPETITION
- FRUITWOOD
- CHERRY

DIFFICULTY: EASY
COOKING METHOD: BARBECUE
SERVINGS: 4
PREP TIME: 10 MINUTES
COOK TIME: 75 MINUTES

PELLET FLAVOR:

- HICKORY
- COMPETITION BLEND
- MESQUITE

GRILLED PORK TENDERLOIN

Searching for a simple pork recipe to make that has sophisticated flavors? This grilled pork tenderloin will not only save you time, but it is delicious. Grilled with olive oil, brown sugar, and the Tennessee Apple Butter seasoning, this dish provides the perfect main course. Try with a side of polenta and bacon.

INGREDIENTS:

1 Pork Tenderloin, Trimmed with Silver Skins Removed
 2 Tbsp (30g), Brown Sugar
 2 Tbsp (30g), Olive Oil
 2 Tbsp (30g), Louisiana Grills® Tennessee Apple Butter Seasoning

INSTRUCTIONS:

- In a small bowl, combine the olive oil, brown sugar, and Tennessee Apple Butter seasoning until well combined. Generously rub the pork tenderloin with the mixture. Allow the pork tenderloin to marinate for 1 hour.
- Turn on your grill. Let the fire catch, then set your grill to 350°F (176°C). Grill the tenderloin for 5-7 minutes on each side, flipping the tenderloin only once and cooking until the internal temperature reaches 145°F (62°C).
- Remove the tenderloin from the grill and allow to rest 10 minutes.
- Slice and serve!

TIP: FOR DELICIOUSLY SWEET APPLE FLAVOR, MARINADE THE TENDERLOIN OVERNIGHT IN APPLE JUICE, COVERED IN YOUR REFRIGERATOR.

CHAMPION BEER CAN CHICKEN

Somewhere, some griller was drinking a cold one when they thought to themselves, "I wonder if it would taste better if I stuck a chicken on top of this and cooked it?" And thus, the Beer Can Chicken was born. This "Champion" Beer Can Chicken recipe is a nod to the backyard barbecue grilling classic. Our famous Champion Chicken Seasoning is rubbed all over the bird which then cooks on a chicken throne filled with beer and barbecue sauce. The result is a delicious, tender, and moist chicken the whole family will love..

INGREDIENTS:

1 Whole, Chicken
 1 Can, Beer, Any Brand
 3 Tbsp (45g), Louisiana Grills® Memphis Style Barbecue Sauce
 2 Tbsp (30g), Olive Oil
 Louisiana Grills® Champion Chicken Seasoning

INSTRUCTIONS:

- Remove the chicken from the bag and make sure all the giblets and organs are removed from inside the chicken. Rinse the bird, inside and out, then pat dry. Brush the chicken generously with olive oil and season with Louisiana Champion Chicken Seasoning. Let the chicken sit for at least 15 minutes with the seasoning on top.
- Pour out half a can of beer until you have half a can remaining. Next, add the barbecue sauce into the can of beer, or a chicken throne. Carefully slide the chicken onto the beer can or chicken throne so that the cavity fits snugly. Tuck the chicken wings behind the chicken's back.
- Turn on your grill. Let the fire catch, then set your grill to 350°F (176°C).
- Grill your chicken upright on the beer can or chicken throne for 1 hour to 1 hour and 15 minutes until the internal temperature reads 180°F (82°C) at the thickest part of the chicken (the breasts, legs, and thighs) and the juices run clear.
- Remove the chicken from the grill and allow to rest 15 minutes.
- Carve the chicken and serve.

TIP: FOR MORE FLAVOR, LET THE CHICKEN SIT IN A WET BRINE OVERNIGHT IN THE REFRIGERATOR.

CONSIGNES DE SÉCURITÉ

LES PRINCIPALES CAUSES D'INCENDIE DE L'APPAREIL SONT LE RÉSULTAT D'UN MAUVAIS ENTRETIEN ET D'UN MANQUE DE DÉGAGEMENT REQUIS POUR LES MATÉRIAUX COMBUSTIBLES. IL EST DE LA PLUS HAUTE IMPORTANCE QUE CET ARTICLE NE SOIT UTILISÉ QUE CONFORMÉMENT AUX INSTRUCTIONS SUIVANTES.

DANGERS ET AVERTISSEMENTS

Veillez lire attentivement et bien comprendre le présent guide avant d'assembler, d'utiliser ou d'installer cet article. Votre nouveau barbecue à granules de bois fonctionnera alors de façon plus agréable et sans problème. Nous vous recommandons aussi de conserver ce manuel pour référence ultérieure.

VOUS DEVEZ COMMUNIQUER AVEC VOTRE ASSOCIATION LOCALE DE L'HABITATION, LES RESPONSABLES DU BÂTIMENT OU DES SERVICES D'INCENDIE, OU LES AUTORITÉS COMPÉTENTES, POUR OBTENIR LES PERMIS, LA MISSION OU LES RENSEIGNEMENTS NÉCESSAIRES SUR TOUTE RESTRICTION D'INSTALLATION, COMME L'INSTALLATION D'UN BARBECUE SUR UNE SURFACE COMBUSTIBLE, LES EXIGENCES D'INSPECTION OU MÊME LA CAPACITÉ D'UTILISATION, DANS VOTRE RÉGION.

1. Un dégagement minimal de 457 mm (18 po) entre les structures inflammables sur les côtés du barbecue, et une distance de 457 mm (18 po) entre l'arrière du barbecue et des structures inflammable doit être maintenu. Ne pas installer l'appareil sur des planchers inflammables ou des planchers protégés par des surfaces inflammables à moins que des autorisations et des permis adéquats n'aient été obtenus par les autorités compétentes. N'utilisez pas cet appareil à l'intérieur ou dans un espace fermé. Cet appareil à granules de bois ne doit pas être placé sous un plafond ou surplomb combustible. Gardez votre barbecue dans une zone dégagée et exempte de matières combustibles, d'essence et d'autres vapeurs et liquides inflammables.

SI UN FEU DE GRAISSE SE PRODUIT, ÉTEIGNEZ LE BARBECUE ET FERMEZ LE COUVERCLE JUSQU'À CE QUE LE FEU SOIT ÉTEINT. DÉBRANCHEZ LE CORDON D'ALIMENTATION DE LA PRISE DE COURANT. NE PAS JETER D'EAU SUR L'APPAREIL. N'ESSAYEZ PAS D'ÉTOUFFER LE FEU. IL EST IMPORTANT D'UTILISER SUR PLACE UN EXTINCTEUR D'INCENDIE APPROUVÉ DE TOUTES LES CLASSES (CLASSE ABC). EN CAS D'INCENDIE NON MAÎTRISÉ, APPELEZ LE SERVICE D'INCENDIE.

AVERTISSEMENT DE SURCHAUFFE! SI, POUR QUELQUE RAISON QUE CE SOIT, VOTRE ALLUMEUR ÉLECTRIQUE TOMBE EN PANNE OU SI LA FLAMME DE VOTRE GRIL S'ÉTEINT PENDANT LA CUISSON, VÉRIFIEZ LA ZONE DE COMBUSTION DU GRIL POUR VOUS ASSURER QU'IL N'Y A PAS DE GRANULES NON BRÛLÉES DANS LA GRILLE AVANT DE REDÉMARRER LA COMBUSTION. LA MISE EN MARCHÉ DU BARBECUE AVEC DES GRANULES DANS LA ZONE DE COMBUSTION PEUT PROVOQUER UNE SURCHAUFFE ET POSSIBLEMENT UNE FLAMME INCONTRÔLÉE.

2. Tenir les cordons d'alimentation électrique et le carburant éloignés des surfaces chauffées. Ne pas utiliser votre barbecue sous la pluie ou autour de toute source d'eau.
3. Après une période d'entreposage ou de non-utilisation, il est important de vérifier si la grille de combustion est obstruée, si la trémie contient des corps étrangers et si quelque chose bloque l'air autour de l'entrée d'air du ventilateur, de la cheminée ou des orifices d'évacuation arrière du cylindre. Nettoyer avant l'utilisation. Un entretien et une maintenance réguliers sont nécessaires pour prolonger la durée de vie de votre appareil. Si le barbecue est entreposé à l'extérieur pendant la saison des pluies ou des saisons de forte humidité, il faut veiller à ce que l'eau ne pénètre pas dans la trémie. Lorsqu'ils sont mouillés ou exposés à une humidité élevée, les granules de bois se gonflent considérablement, se décomposent et peuvent bloquer le système d'alimentation. Toujours débrancher l'appareil avant d'effectuer toute opération d'entretien ou de maintenance.

NE PAS DÉPLACER L'APPAREIL DURANT SON UTILISATION OU TANT QU'IL EST ENCORE CHAUD. S'ASSURER QUE LE FEU EST COMPLÈTEMENT ÉTEINT ET QUE LE BARBECUE EST COMPLÈTEMENT FROID AU TOUCHER AVANT DE LE DÉPLACER.

IMPORTANT! ÉTEIGNEZ TOUJOURS L'APPAREIL ET LAISSEZ LE CYCLE D'ARRÊT SE DÉROULER. DÉBRANCHEZ L'APPAREIL UNIQUEMENT UNE FOIS LE CYCLE D'ARRÊT TERMINÉ ET/OU AVANT DE LE NETTOYER. LE NON-RESPECT DE CET AVERTISSEMENT PEUT ENTRAÎNER DES DOMMAGES, DES BLESSURES GRAVES, UN INCENDIE, UN CHOC ÉLECTRIQUE OU LA MORT.

4. Il est recommandé d'utiliser des mitaines ou des gants résistants à la chaleur lors de l'utilisation du barbecue. Ne pas utiliser d'accessoires non spécifiés pour cet appareil. Ne pas placer une housse de barbecue ou quoi que ce soit d'inflammable dans l'espace de rangement sous le barbecue.

- Afin d'éviter que les doigts, les vêtements ou d'autres objets n'entrent en contact avec la vis d'alimentation, l'appareil est équipé d'un écran de sécurité métallique, monté à l'intérieur de la trémie. Cet écran ne doit pas être enlevé à moins d'indication contraire du Service à la clientèle ou d'un marchand autorisé.

CET APPAREIL N'EST PAS RECOMMANDÉ POUR LES ENFANTS, LES PERSONNES AYANT DES CAPACITÉS PHYSIQUES, SENSORIELLES OU MENTALES RÉDUITES, OU UN MANQUE D'EXPÉRIENCE ET DE CONNAISSANCES, À MOINS QU'ILS NE SOIENT SOUS LA SUPERVISION DIRECTE D'UNE PERSONNE RESPONSABLE DE LEUR SÉCURITÉ.

- Certaines parties du barbecue peuvent être très chaudes et provoquer des blessures graves. Tenir les jeunes enfants et les animaux domestiques à l'écart pendant l'utilisation.
- Ne pas agrandir les trous d'allumage ou les pots de combustion. Le non-respect de cet avertissement peut entraîner un risque d'incendie et de dommages corporels et annulera votre garantie.
- L'article peut avoir des rebords ou des pointes tranchantes. Le contact peut entraîner des blessures. Manipuler avec soin.
- Retirez les casseroles et les poêles lorsque l'appareil fonctionne sans surveillance, afin de réduire les risques d'incendie.

ÉLIMINATION DES CENDRES

Les cendres doivent être placées dans un contenant métallique muni d'un couvercle hermétique. Le contenant fermé de cendres doit être placé sur un plancher non combustible ou sur le sol, bien à l'écart de tout matériau combustible, en attendant son élimination finale. Lorsque les cendres sont éliminées par enfouissement dans le sol ou autrement dispersées localement, elles devraient être conservées dans un contenant fermé jusqu'à ce que toutes les cendres aient complètement refroidi.

GRANULES DE BOIS

Cet appareil de cuisson à granules est conçu et approuvé pour les granules de bois naturelles seulement. Tout autre type de combustible brûlé dans cet appareil annulera la garantie et la liste de sécurité. Seules les granules de bois naturelles doivent être utilisées dans les barbecues à granules, elles ont été conçues à cet effet. Ne pas utiliser de carburant avec des additifs. Les granules de bois sont très sensibles à l'humidité et doivent toujours être stockés au sein d'un récipient hermétique. Si vous stockez votre gril, sans l'utiliser, pendant une période prolongée, nous vous recommandons de retirer tous les granules de la trémie et de la vis sans fin de votre gril, afin d'éviter les bourrages. Le pouvoir calorifique moyen des granules se situe entre 5,17 et 5,67 kWh/kg, avec un taux de cendre <1%.

NE PAS UTILISER D'ALCOOL, D'ESSENCE, DE PÉTROLE, D'ESSENCE À BRIQUER OU DE KÉROSÈNE POUR ALLUMER OU RALLUMER LE FEU DANS VOTRE BARBECUE. CONSERVEZ TOUS CES LIQUIDES LOIN DE L'APPAREIL LORSQUE CELUI-CI FONCTIONNE.

Au moment de l'impression de ce manuel, il n'y a pas de norme de l'industrie pour les granules de bois pour les barbecues, bien que la plupart des usines de granules utilisent les mêmes normes pour fabriquer les granules de bois à usage domestique. De plus amples renseignements se trouvent à l'adresse www.pelletheat.org ou sur Pellet Fuel Institute. Contactez votre revendeur local pour connaître la qualité des granules dans votre région et pour obtenir des informations sur la qualité de la marque. Comme il n'existe aucun contrôle de la qualité des granules utilisés, nous n'assumons aucune responsabilité relative aux dommages causés par un combustible de mauvaise qualité.

CRÉOSOTE

La créosote, ou la suie, a une substance semblable au goudron. Lors de la combustion, elle produit elle aussi de la fumée noire avec un résidu noir. La suie ou la créosote se forme lorsque l'appareil n'est pas utilisé correctement, par exemple si le ventilateur de combustion est obstrué, si la zone de combustion n'est pas nettoyée et entretenue, si les granules sont humides ou si la combustion est mauvaise.

Il est dangereux de faire fonctionner cet appareil si la flamme devient sombre, s'il y a de la suie ou si le pot de combustion est trop rempli de granules. Une fois allumée, cette créosote produit un feu extrêmement chaud et incontrôlé, semblable à un feu de graisse. Si cela se produit, éteignez l'appareil, laissez-le refroidir complètement, puis inspectez-le pour l'entretien et le nettoyage. Elle s'accumule généralement le long des zones d'échappement.

Si de la créosote s'est formée à l'intérieur de l'appareil, laissez réchauffer l'appareil à basse température, éteindre l'appareil, puis l'essuyer avec une serviette à main. Comme le goudron, la créosote est beaucoup plus facile à nettoyer quand elle est chaude, car elle devient liquide. Lorsque de la graisse ou de la créosote s'est accumulée, il faut l'enlever pour réduire le risque d'incendie.

MONOXYDE DE CARBONE (« LE TUEUR SILENCIEUX »)

Le monoxyde de carbone est un gaz incolore, inodore et sans saveur produit par la combustion de gaz, de bois, de propane, de charbon et d'autres combustibles. Le monoxyde de carbone réduit la capacité du sang à transporter l'oxygène. Un faible taux d'oxygène dans le sang peut entraîner des maux de tête, des étourdissements, de la faiblesse, des nausées, des vomissements, de la somnolence, de la confusion, une perte de conscience ou la mort. Suivez ces directives pour éviter que ce gaz incolore et inodore ne vous empoisonne ou encore n'empoisonne votre famille ou d'autres personnes :

- Consultez un médecin si vous ou d'autres personnes présentez des symptômes de rhume ou de grippe pendant la cuisson ou à proximité de l'appareil. L'empoisonnement au monoxyde de carbone, qui peut facilement être confondu avec un rhume ou une grippe, est souvent détecté trop tard.
- La consommation d'alcool et de drogues augmente les effets de l'empoisonnement par le monoxyde de carbone.

Le monoxyde de carbone est particulièrement toxique pour une mère et son enfant pendant la grossesse, les bébés, les personnes âgées, les fumeurs, les personnes ayant des problèmes sanguins ou circulatoires, comme l'anémie ou une maladie cardiaque.



LISTE DE SÉCURITÉ

Conformément aux procédures et aux spécifications énumérées dans le sujet UL 2728A-2019 « appareil de cuisson à granules », dans l'ULC/ORD-C2728-19 et dans le CSA CANADIEN C22.2 #3 « pour les caractéristiques électriques des appareils à combustible ». Les appareils de cuisson à granules Louisiana Grills® ont été testés indépendamment et répertoriés par le CSA (un laboratoire d'essai reconnu) selon les normes UL, ULC et CSA.

ATTENTION: L'UTILISATEUR EST AVERTI QUE LES CHANGEMENTS OU MODIFICATIONS NON EXPRESSÉMENT APPROUVÉS PAR LA PARTIE RESPONSABLE DE LA CONFORMITÉ POURRAIENT ANNULER LE DROIT DE L'UTILISATEUR À UTILISER L'ÉQUIPEMENT.

La marque verbale et le logo Bluetooth® sont des marques déposées appartenant à Bluetooth SIG, Inc. et toute utilisation de ces marques par Louisiana Grills® est sous licence. Les autres marques et noms commerciaux sont la propriété de leurs détenteurs respectifs.



DÉCLARATION CONCERNANT LES DROITS D'AUTEUR

Copyright 2022. Tous droits réservés. Aucune partie de ce manuel ne peut être copiée, transmise, transcrite ou stockée dans un système d'archivage, sous quelque forme ou par quelque moyen que ce soit, sans l'autorisation expresse écrite de :

DANSONS

3411 North 5th Avenue, Suite 500,
Phoenix, AZ, USA 85013

SERVICE CLIENTS

États-Unis : (480) 923-9630
Canada (sans frais) : 1-877-942-2246
www.louisiana-grills.com

DÉMARRER EN TOUTE SÉCURITÉ

Assurez-vous que vous connaissez et comprenez les bases d'une utilisation sûre.

CONSIGNES DE SÉCURITÉ 28

GRILLER COMME UN PROFESSIONNEL

Chaque barbecue est différent. Recevez nos conseils sur les meilleures pratiques pour faire fonctionner votre barbecue afin que vous puissiez toujours donner le meilleur de vous-même.

ENVIRONNEMENT DU BARBECUE	32
TEMPÉRATURES DE CUISSON	33
FLUX D'AIR ET SYSTÈME D'ALIMENTATION	33
PANNEAU DE CONTRÔLE 101	34
FONCTIONS DU PANNEAU DE CONTRÔLE	36
CONNEXION À L'APPLICATION SMOKE IT®	38
PREMIÈRE UTILISATION - COMBUSTION INITIALE	38
PROCÉDURE DE MISE EN MARCHÉ	38
PROCÉDURE D'ARRÊT	38
DIRECTIVES DE CUISSON	39
CONSEILS ET TECHNIQUES	41

ENTRETIEN DE VOTRE GRIL

L'entretien et les performances vont de pair. Si vous prenez la responsabilité d'entretenir votre barbecue, il fonctionnera pendant des années.

ENTRETIEN ET MAINTENANCE 41

ASSISTANCE À LA CLIENTÈLE

Si vous rencontrez des problèmes, c'est votre premier lieu pour obtenir les réponses dont vous avez besoin.

DÉPANNAGE	43
COMPOSANTS ÉLECTRIQUES	45
PIÈCES DE REMPLACEMENT	46
GARANTIE	50

CUISINER

Découvrez la polyvalence de votre barbecue. Ces recettes simples et intemporelles demandent peu d'efforts mais offrent une grande récompense.

RECETTES 51

ENVIRONNEMENT DU BARBECUE

Avec le mode de vie actuel qui consiste à s'efforcer de manger des aliments sains et nutritifs, l'un des facteurs à considérer est l'importance de réduire l'apport en matières grasses. L'une des meilleures façons de réduire le gras dans votre alimentation est d'utiliser une méthode de cuisson qui utilise peu de gras, comme le grillage. Comme un barbecue à granules utilise des granules de bois naturel, la saveur savoureuse du bois s'imprègne dans la viande, réduisant ainsi le besoin d'utiliser des sauces contenant une haute teneur en sucre.

OÙ INSTALLER LE BARBECUE

Comme avec tous les appareils d'extérieur, les conditions climatiques extérieures jouent un rôle important dans la performance de votre barbecue et le temps de cuisson nécessaire pour parfaire vos repas. Le froid extrême peut affecter la température maximale atteinte par le barbecue.

Tous les barbecues Louisiana Grills® doivent être placés à une distance minimale de 457 mm (18 po.) des installations combustibles, et cette distance doit être maintenue tant que le gril est en fonctionnement. Pour aider efficacement votre gril à atteindre une température de sortie correcte, maintenir la rétention de chaleur et le temps de récupération de la chaleur lorsque le couvercle est ouvert, il est recommandé d'abriter votre appareil du vent. De plus, en ajustant la position de votre gril en le faisant tourner d'un quart de tour – en gardant les trous d'évacuation d'air (évents) à l'abri du vent – vous aurez un meilleur contrôle de la température et de meilleurs résultats.

CUISSON PAR TEMPS FROID

Même s'il fait de plus en plus frais dehors, cela ne veut pas dire que la saison des grillades est terminée! L'air frais et l'arôme divin des aliments fumés vous aideront à vous évader de l'hiver. Suivez ces suggestions sur la façon de profiter de votre barbecue pendant les mois les plus frais :

- Si le fumage à basse température échoue, augmentez légèrement la température pour obtenir les mêmes résultats.
- Organisation : préparez tout ce dont vous avez besoin dans la cuisine avant de sortir. Pendant l'hiver, déplacez votre barbecue vers un endroit à l'abri du vent et du froid. Vérifiez les règlements locaux concernant la distance entre votre barbecue et votre maison ou autres structures. Mettez tout ce dont vous avez besoin sur un plateau, habillez-vous chaudement et cuisinez!
- Pour faciliter le suivi de la température extérieure, placez un thermomètre extérieur près de votre zone de cuisson. Tenez un registre ou un historique de ce que vous avez cuisiné, de la température extérieure, et du temps de cuisson. Ce registre ou historique vous aidera plus tard à déterminer ce qu'il faut cuisiner et le temps que cela prendra.
- Par temps très froid, augmentez votre temps de préchauffage d'au moins 20 minutes.
- Évitez de soulever le couvercle plus que nécessaire. Des rafales de vent froid peuvent refroidir complètement la température de votre barbecue. Soyez flexible quant au temps de service ; ajoutez environ 10 à 15 minutes de cuisson supplémentaire à chaque fois que vous ouvrez le couvercle.
- Ayez un plateau chauffant ou un couvercle de plat prêt, pour vous permettre de garder vos aliments au chaud pendant que vous retournez à l'intérieur.
- Les aliments qui se prêtent bien à la cuisson hivernale sont ceux qui nécessitent peu d'attention, comme les rôtis, les poulets entiers, les côtes levées et la dinde. Facilitez la préparation de vos repas en y ajoutant des aliments simples comme des légumes et des pommes de terre.

CUISSON PAR TEMPS CHAUD

Au fur et à mesure qu'il fait plus chaud à l'extérieur, le temps de cuisson diminue. Suivez ces suggestions sur la façon de profiter de votre barbecue pendant les mois les plus chauds :

- Réglez vos températures de cuisson à la baisse. Cela permet d'éviter les flambées indésirables.
- Utilisez un thermomètre à viande pour déterminer la température interne de vos aliments. Cela permet d'éviter que votre viande ne soit trop cuite et sèche.
- Même par temps chaud, il est toujours préférable de cuisiner avec le couvercle de votre barbecue fermé.
- Vous pouvez garder les aliments chauds en les enveloppant dans du papier d'aluminium et en les plaçant dans une glacière isolée. Mettez du papier journal froissé autour de la feuille d'aluminium pour permettre de garder les aliments chauds pendant 3 à 4 heures.

TEMPÉRATURES DE CUISSON

Il est possible que l'affichage de la température sur le panneau de commande ne corresponde pas exactement à celle affichée sur le thermomètre du dôme. Toutes les températures indiquées ci-dessous sont approximatives et sont influencées par les facteurs suivants : la température extérieure, la quantité et la direction du vent, la qualité des granules utilisée, la position du couvercle et la quantité de nourriture à cuire.

TEMPÉRATURE ÉLEVÉE (205 À 315 °C/401 À 600 °F)

Cette plage est adaptée pour saisir et griller à haute température. A utiliser conjointement avec le diffuseur de chaleur pour la cuisson à flamme directe ou indirecte. Avec la plaque coulissante du diffuseur de chaleur ouverte, la flamme directe est utilisée pour créer des steaks « bleus », ainsi que des légumes flambés, des toasts à l'ail ou des s'mores ! Lorsque la plaque coulissante du diffuseur de chaleur est fermée, l'air circule autour du baril, ce qui produit une chaleur par convection. La température élevée est également utilisée pour atteindre une chaleur élevée dans des conditions de froid extrême.

TEMPÉRATURE MOYENNE (135 À 180 °C/275 À 356 °F)

Cette plage de température est idéale pour cuire, rôtir, la finition de la cuisson par fumage. La cuisson à ces températures réduira grandement les risques d'une flambée de graisse. Assurez-vous que la glissière du brûleur à flamme est fermée, couvrant ainsi les ouvertures. Idéal pour cuisiner n'importe quoi enveloppé dans du bacon, ou si vous voulez de la polyvalence et du contrôle.

FAIBLE TEMPÉRATURE (82 À 125 °C/180 À 257 °F)

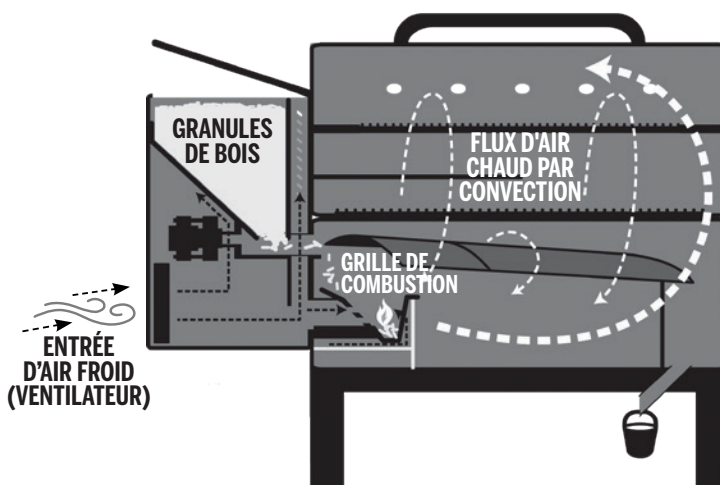
Cette plage de température est utilisée pour cuisiner des rôtis, augmenter la saveur de fumée et garder les aliments chauds. Infusez plus de saveur de fumée et gardez vos viandes juteuses en cuisant plus longtemps à une température plus basse (aussi appelée cuisson à feu doux et lent). Recommandé pour cuire la dinde, le jambon juteux ou un grand festin. Fumer est une variante du vrai barbecue, et c'est vraiment le principal avantage de griller sur un barbecue à granules de bois.

Le fumage à chaud, un autre nom pour la cuisson à feu doux et lent, se fait généralement à entre 82 à 125 °C/180 à 257 °F. Le fumage à chaud est plus efficace lorsqu'un temps de cuisson plus long est nécessaire, par exemple pour de grosses coupes de viande, de poisson ou de volaille.

ASTUCE : POUR INTENSIFIER CETTE SAVEUR SAVOUREUSE, PASSEZ À UNE PLAGE DE TEMPÉRATURE BASSE IMMÉDIATEMENT APRÈS AVOIR PRÉCHAUFFÉ VOTRE BARBECUE. CELA PERMET À LA FUMÉE DE PÉNÉTRER LA VIANDE.

La meilleure façon d'y parvenir est d'expérimenter la durée de fumage avant la fin de la cuisson du repas. Certains chefs cuisiniers d'extérieur préfèrent fumer à la fin de la cuisson, permettant de garder les aliments au chaud jusqu'au moment de servir. L'usage rend maître!

FLUX D'AIR ET SYSTÈME D'ALIMENTATION



Le cœur de votre gril réside dans la relation entre le flux d'air de convection forcée par ventilateur et la fonctionnalité du système d'alimentation par vis sans fin. Le ventilateur de combustion/refroidissement souffle de l'air à travers le système, permettant à l'air chaud de l'allumeur d'allumer les granules et de s'enflammer dans la grille de combustion. Le système d'alimentation à vis sans fin continue à fonctionner par cycles, alimentant la grille de combustion en granules.

Pour que les trous d'air de combustion (flux d'air) de la grille de combustion ne soient pas obstrués, il est essentiel d'entretenir et de nettoyer correctement cette zone. Si le gril n'atteint pas la température souhaitée, vérifiez que les trous de la grille de combustion sont dégagés.

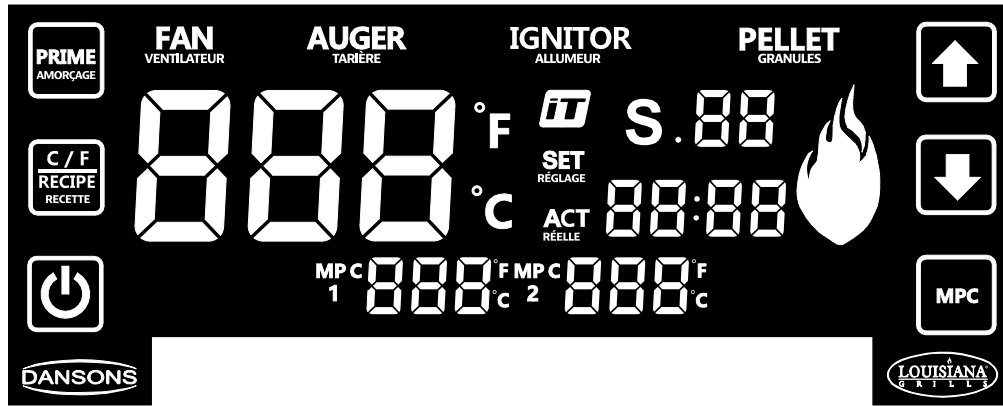
CONSEIL : LE GRIL PEUT FONCTIONNER EFFICACEMENT SUR DE LONGUES PÉRIODES À CONDITION QUE LE COMBUSTIBLE SOIT SEC ET EN QUANTITÉ SUFFISANTE, QUE LA CIRCULATION D'AIR SOIT ADÉQUATE ET QUE LES ÉLÉMENTS DE CUISSON SOIENT PROPRES.

La conception unique du système de circulation d'air de Louisiana Grills® permet de diriger la majorité des cendres volantes vers le fond du baril, tout en dirigeant la chaleur de convection forcée par ventilateur pour qu'elle circule autour du baril principal. Ce type de flux d'air permet d'utiliser une qualité différente de granules tout en réduisant la possibilité de blocage du combustible et de blocage du système d'alimentation par vis sans fin.

PANNEAU DE CONTRÔLE 101

Cette panneau de contrôle numérique P.I.D. (proportionnel-intégral-dérivé) est très semblable aux commandes de votre four de cuisine. Les principaux avantages sont la possibilité de compenser automatiquement les différentes conditions ambiantes et les différents types de combustibles.

IMPORTANT : LA TEMPÉRATURE À L'INTÉRIEUR DE TOUT GRIL VARIE CONSIDÉRABLEMENT D'UN ENDROIT À L'AUTRE. MÊME DES INSTRUMENTS CALIBRÉS ENSEMBLE PEUVENT NE PAS ÊTRE EN ACCORD LES UNS AVEC LES AUTRES.



CONTRÔLE	DÉSIGNATION
	Appuyez et maintenez ce bouton appuyé pendant trois secondes pour mettre l'appareil en marche. Cela permettra de lancer le cycle de démarrage automatique. Maintenez ce bouton appuyé pendant trois secondes pour mettre l'appareil hors tension, ce qui activera le cycle de refroidissement automatique. Le bouton clignote en blanc lorsqu'il est connecté à une source d'alimentation, et reste fixe lorsque l'appareil est en marche.
	L'icône Smoke iT® indique une connexion à un réseau sans fil. Lorsque l'appareil recherche une connexion via Wi-Fi ou Bluetooth®, l'icône Smoke iT® clignote. Une fois la connexion Wi-Fi établie, l'icône Smoke iT® ne clignote plus. Lorsque vous êtes connecté, vous pouvez obtenir des informations en direct sur la température actuelle du gril et celle programmée, le temps de cuisson, ainsi que sur la température des sondes de cuisson. Vous pouvez également régler les paramètres de votre panneau de contrôle.
	Ce bouton possède deux fonctionnalités : changer les unités de température et modifier les étapes de la recette. <ol style="list-style-type: none"> Appuyez rapidement sur ce bouton pour activer le changement d'unité de température et afficher un relevé différent. Vous pouvez sélectionner Celsius (°C) à Fahrenheit (°F), selon votre préférence. Par défaut, l'appareil est en Fahrenheit. Appuyez et maintenez ce bouton appuyé pendant trois secondes pour accéder aux paramètres de recette.
	Maintenez appuyé le bouton Prime pour acheminer plus de granulés vers la grille de combustion. Ce processus peut permettre d'ajouter plus de combustible au feu avant d'ouvrir le couvercle du corps de l'appareil, entraînant une récupération de chaleur rapide. Il peut également s'utiliser en cours de fumage afin d'augmenter l'intensité du parfum fumé. Cette fonctionnalité a été demandée par les cuisiniers participant à des concours.
	Appuyez sur les flèches de réglage pour augmenter ou réduire la température. La température affichée sur l'écran peut être ajustée par incréments de 5 degrés (F). La température peut être réglée à un minimum de 82°C/180 °F, et à un maximum de 315°C/600 °F.

CONTRÔLE	DÉSIGNATION
	<p>Ce relevé affiche à la fois la température actuelle et celle programmée. La température actuelle s'affiche en permanence, sauf si la température programmée est en train d'être modifiée. La température actuelle représente la température à l'intérieur du corps principal. Le relevé de la température actuelle est effectué par la sonde du grill (capteur) située à l'intérieur du corps de l'appareil.</p> <p>Afin d'afficher la température programmée, appuyez sur l'une des flèches de réglage. La température programmée est active lorsque le relevé clignote. Pour modifier la température programmée, appuyez sur l'une des flèches de réglage (vers le haut ou vers le bas). Une fois la température programmée souhaitée affichée, attendez trois secondes (afin de la confirmer), le relevé affichera alors de nouveau la température actuelle.</p>
	Affiche les étapes de la recette. Il existe neuf étapes de recette disponibles. Ajustez les paramètres de chaque étape de la recette en utilisant le bouton Recette et les flèches de réglage. Au total, neuf étapes de recette peuvent être programmées.
	Affiche la durée paramétrée lors des étapes de la recette. Appuyez sur le bouton Recette pour activer les paramètres de recette. Utilisez les flèches de réglage pour passer d'une étape à l'autre, l'une d'elles est la durée. Appuyez à nouveau sur le bouton Recette pour confirmer les réglages effectués.
	Appuyez sur le bouton MPC pour activer les paramètres de température des sondes de cuisson. Appuyez de nouveau sur le bouton MPC pour passer d'une sonde de cuisson à l'autre.
	<p>Affiche la température de la ou des sondes de cuisson connectées. L'affichage de la sonde de cuisson correspondra au port de connexion sélectionné. Les ports des sondes de cuisson sont situés à l'avant du panneau de contrôle. Lorsque vous appuyez sur le bouton MPC, le relevé de la sonde de cuisson sélectionnée clignote et la lettre « C » (de MPC) s'allume.</p> <p>Lorsque vous ne l'utilisez pas, déconnectez la sonde de cuisson du port de connexion. Uniquement compatible avec les sondes de cuisson Louisiana Grills®.</p>
	L'icône de flamme affiche l'intensité du feu au sein de la grille de combustion. Lorsque la température augmente à l'intérieur du corps principal, la couleur de la flamme passe de bleue à rouge. La couleur change également lorsque vous ajustez la température programmée.
	L'icône de VENTILATEUR est visible lorsque le ventilateur est en marche. Lorsque l'icône de VENTILATEUR clignote, le ventilateur ne fonctionne pas. Consultez la section Dépannage pour obtenir de l'aide.
	L'icône de TARIÈRE est visible lorsque la vis sans fin tourne. Lorsque l'icône de TARIÈRE clignote, la vis sans fin ne fonctionne pas. Consultez la section Dépannage pour obtenir de l'aide.
	L'icône d'ALLUMEUR est visible lorsque l'allumeur est en marche. Lorsque l'icône d'ALLUMEUR clignote, l'allumeur ne fonctionne pas. Consultez la section Dépannage pour obtenir de l'aide.
	Lorsque l'icône de GRANULÉ est visible, le feu dans le pot de combustion est éteint ou bien la trémie est vide. Consultez la section Dépannage pour obtenir de l'aide.

FONCTIONS DU PANNEAU DE CONTRÔLE

RÉGLAGE DE LA TEMPÉRATURE DU GRIL

La sonde du gril mesure la température interne du corps principal. Lorsque la température programmée est ajustée, la sonde du gril lit la température actuelle à l'intérieur du corps principal et l'ajuste à la température programmée.

IMPORTANT: LA TEMPÉRATURE DE VOTRE APPAREIL EST EXTRÊMEMENT DÉPENDANTE DE LA TEMPÉRATURE EXTÉRIEURE AMBIANTE, DE LA QUALITÉ DES GRANULÉS UTILISÉS, DU PARFUM DES GRANULÉS ET DE LA QUANTITÉ D'ALIMENTS EN TRAIN DE CUIRE.



RÉGLER/AJUSTER LA TEMPÉRATURE PROGRAMMÉE

Pour ajuster la température programmée du gril, suivez les étapes ci-dessous :

1. Appuyez sur l'une des flèches de réglage. La température programmée clignotera alors pour indiquer qu'elle est active.
2. Utilisez de nouveau les flèches de réglage pour ajuster la température souhaitée.
3. Une fois la température programmée souhaitée affichée, attendez trois secondes (afin de la confirmer), le relevé affichera alors de nouveau la température actuelle.

UTILISATION DES SONDÉS DE CUISSON

La sonde de cuisson mesure la température interne de la viande sur le gril, tout comme dans votre four. Insérez la sonde de cuisson en acier inoxydable dans la partie la plus épaisse de la viande. La température interne s'affiche sur la partie supérieure de l'écran du panneau de contrôle. Branchez les adaptateurs aux ports de connexion des sondes de cuisson en veillant à ce qu'ils soient bien insérés jusqu'au fond. Un bruit vous indiquera qu'ils sont bien en place.

REMARQUE: LORSQUE VOUS PLACEZ LA SONDE DE CUISSON DANS VOTRE VIANDE, VEILLES À CE QUE CELLE-CI ET LES CÂBLES NE SOIENT PAS EN CONTACT DIRECT AVEC LA FLAMME OU UNE SOURCE DE CHALEUR EXCESSIVE. CELA POURRAIT ENDOMMAGER VOTRE SONDE DE CUISSON. FAITES PASSER L'EXCÈS DE CÂBLE VIA LES TROUS D'ÉVACUATION À L'ARRIÈRE DU CORPS PRINCIPAL, EN HAUT DE CE DERNIER (PRÈS DU GOND DU COUVERCLE) OU VIA LE TROU AVANT, PRÈS DE LA TRÉMIE. LORSQUE VOUS NE L'UTILISEZ PAS, DÉBRANCHEZ LA SONDE DE CUISSON DU PORT DE RACCORDEMENT ET PASSEZ-LA DANS LES TROUS DE LA POIGNÉE DE LA TRÉMIE POUR VEILLER À CE QU'ELLE RESTE PROPRE ET EN SÉCURITÉ.



RÉGLER/AJUSTER LA TEMPÉRATURE PROGRAMMÉE D'UNE SONDE DE CUISSON

Pour ajuster la température programmée d'une sonde de cuisson, suivez les étapes ci-dessous :

1. Appuyez sur le bouton MPC. Le relevé de la sonde de cuisson sélectionnée clignotera et la lettre « C » (de MPC) s'allumera, indiquant que la sonde est active. Appuyez de nouveau sur le bouton MPC pour ajuster une autre sonde de cuisson.
2. Lorsqu'une sonde est active, le relevé de la température programmée clignote. Utilisez les flèches de réglage pour ajuster la température programmée de la sonde de cuisson sélectionnée.
3. Une fois la température programmée souhaitée affichée, la température programmée clignotera pendant cinq secondes pour confirmer.

PROGRAMMER UNE RECETTE

La fonction Recette permet à l'utilisateur de programmer des instructions de cuisson, nommées étapes de la recette, que le panneau de contrôle suivra et lancera automatiquement. Ces instructions combinent la température et le temps de cuisson. En débutant par la première étape de la recette (01), le panneau de contrôle effectuera chaque étape afin de préparer le plat. Lorsque toutes les étapes de la recette sont terminées, le panneau de contrôle passe automatiquement à une température basse de 82 °C/180 °F afin que le plat reste chaud jusqu'au moment de le servir. Au total, neuf étapes de recette peuvent être programmées.



COMMENT PROGRAMMER UNE ÉTAPE DE LA RECETTE

Pour définir une ou plusieurs des étapes de la recette, suivez les instructions ci-dessous :

1. Appuyez et maintenez appuyé le bouton Recette pendant trois secondes. Ce dernier clignotera, indiquant que les paramètres de recette sont actifs. Cela activera également les étapes de la recette et la lettre « S » s'allumera, indiquant qu'elles sont actives.
 - Utilisez les flèches de réglage pour sélectionner l'étape de la recette. Commencez par la première étape de la recette (01).
 - Une fois l'étape de la recette désirée affichée, appuyez sur le bouton Recette pour passer au réglage suivant.
 2. Réglez les heures. Les chiffres des heures clignotent pour indiquer qu'elles sont sélectionnées.
 - Utilisez les flèches de réglage pour sélectionner le nombre d'heures souhaité.
 - Une fois le nombre d'heures désiré affiché, appuyez sur le bouton Recette pour passer au réglage suivant.
 3. Réglez les minutes. Les chiffres des minutes clignotent pour indiquer qu'elles sont sélectionnées.
 - Utilisez les flèches de réglage pour sélectionner le nombre de minutes souhaité.
 - Une fois le nombre de minutes désiré affiché, appuyez sur le bouton Recette pour passer au réglage suivant.
 4. Réglez la température de cuisson. L'affichage de la température de cuisson clignote pour indiquer qu'elle est sélectionnée.
 - Utilisez les flèches de réglage pour sélectionner la température souhaitée.
 - Une fois la température de cuisson désirée affichée, maintenez appuyé le bouton Recette pour verrouiller les paramètres de cette étape de la recette. L'étape de la recette affichera ensuite « CL ».
 - Pour configurer une autre étape de la recette, appuyez rapidement sur le bouton Recette afin de sélectionner une autre étape, programmant ainsi une cuisson comportant plusieurs étapes. Répétez la procédure ci-dessus autant que nécessaire.
- Ou,
- Maintenez de nouveau appuyé le bouton Recette pour sortir des menus et lancer la recette. Le bouton Recette ne clignotera plus.

REMARQUE : LES ÉTAPES DE LA RECETTE SERONT RÉINITIALISÉES LORSQUE L'APPAREIL SERA ÉTEINT.

CONNEXION À L'APPLICATION SMOKE IT®

Suivez ces instructions pour connecter votre barbecue à l'application Smoke iT® avec votre appareil Android™ ou iOS®. L'application vous permettra de contrôler et de surveiller les températures de votre gril et de votre sonde à viande depuis votre appareil mobile. Profitez des avantages de la connectivité mobile Smoke IT®!

1. Téléchargez l'application Smoke iT®. Ouvrez l'application et autorisez l'activation de Bluetooth® pour la configuration. Les nouveaux utilisateurs devront créer un compte et suivre les invites pour se connecter.
2. Si vous êtes à portée Bluetooth® (9 m / 30 pieds), l'application Smoke iT® détectera automatiquement votre gril. Sélectionnez votre modèle de gril. Si vous ne voyez pas votre gril sur l'écran, assurez-vous que votre appareil est connecté à une source d'alimentation et qu'il est allumé.
3. Nommez votre modèle de gril (par exemple, mon fumeur) dans l'application et sélectionnez "Connecter" en bas de l'écran. Cela enregistrera votre modèle de gril dans le menu des appareils.
4. Dans le menu des appareils, cliquez sur le modèle de gril à connecter. Cela vous montrera l'écran du panneau de contrôle.
5. Cliquez sur l'option des paramètres (engrenage) dans le coin supérieur droit, entrez vos informations d'identification Wi-Fi, puis cliquez sur la coche en bas de l'écran pour vous connecter. Désormais, les icônes Bluetooth® et Wi-Fi (nuage) s'affichent dans le menu des appareils, indiquant que le gril est connecté.

LORS DE L'UTILISATION DE L'APPLICATION, L'ÉCRAN BRILLERA LORSQUE LE GRIL EST ACTIF ET CONNECTÉ. SI L'ÉCRAN OU LE GRIL DE L'APPLICATION S'ASSOMBRIENT DANS LE MENU DES APPAREILS, VÉRIFIEZ VOTRE CONNEXION SANS FIL OU VOTRE SOURCE D'ALIMENTATION.

PREMIÈRE UTILISATION - COMBUSTION INITIALE

Avant de cuisiner sur votre gril pour la première fois, il est important d'effectuer une stérilisation de l'unité. Démarrez l'appareil et faites-le fonctionner à une température supérieure à 180°C/350°F, couvercle baissé, pendant 30 à 40 minutes pour stériliser l'appareil et le débarrasser de tout corps étranger.

PROCÉDURE DE MISE EN MARCHÉ

1. Branchez le câble électrique dans une source d'alimentation mise à la terre. Ouvrez le couvercle du baril principal. Vérifiez la grille de combustion pour vous assurer qu'il n'y a pas d'obstruction pour un allumage correct. Ouvrez le couvercle de la trémie. Assurez-vous qu'aucun objet étranger ne se trouve dans la trémie ou le système d'acheminement de la vis sans fin. Remplissez la trémie avec des granulés secs de bois naturel pour barbecue.
2. Le couvercle du baril principal étant fermé, appuyez et maintenez appuyé le bouton d'alimentation pendant trois secondes pour mettre l'appareil en marche. Cela activera le cycle de démarrage : le système d'alimentation commencera à tourner, le ventilateur démarrera et l'allumeur commencera à se réchauffer. Le gril produira de la fumée pendant le cycle de démarrage. Les granulés s'enflammeront avec succès une fois que la fumée se sera dissipée. Le cycle de démarrage dure jusqu'à ce que l'appareil atteigne une température minimale de 65°C/150°F ou que l'allumeur s'éteigne (24 minutes).
3. Une fois que la fumée blanche et lourde s'est dissipée, le cycle de démarrage est terminé. Réglez la température souhaitée pour commencer à griller !

PROCÉDURE D'ARRÊT

1. Une fois la cuisson terminée, gardez le couvercle du baril principal fermé, appuyez sur le bouton d'alimentation et maintenez-le enfoncé pendant trois secondes pour éteindre l'appareil. Cela activera le cycle de refroidissement automatique. Le système d'alimentation cessera d'alimenter le combustible, la flamme s'éteindra et le ventilateur continuera de fonctionner jusqu'à ce que le cycle de refroidissement soit terminé. Une fois le cycle de refroidissement terminé, le ventilateur s'arrêtera.

IMPORTANT! LORSQUE LE CYCLE D'ARRÊT EST TERMINÉ, DÉBRANCHEZ LE CORDON D'ALIMENTATION.

DIRECTIVES DE CUISSON

Les styles de cuisson de fumage et grillage peuvent donner des résultats différents en fonction du temps et de la température. Pour de meilleurs résultats, prenez en note ce que vous avez cuisiné, la température et le temps de cuisson ainsi que les résultats obtenus. Ajuster la cuisson à votre goût pour la prochaine fois. L'usage rend maître.

L'art culinaire du fumage à chaud fait référence à des temps de cuisson plus longs, mais il en résulte une saveur de bois plus naturelle sur vos viandes (et l'anneau de fumée recherché). Des températures de cuisson plus élevées réduisent le temps de cuisson et réduisent la saveur de fumée.

ASTUCE : POUR DE MEILLEURS RÉSULTATS, LAISSER REPOSER LES VIANDES APRÈS LA CUISSON. CECI PERMET AU JUS NATUREL DE MIGRER DE NOUVEAU DANS LA FIBRE DE LA VIANDE, DONNANT UNE COUPE BEAUCOUP PLUS JUTEUSE ET SAVOUREUSE. LE TEMPS DE REPOS PEUT VARIER ENTRE 3 ET 60 MINUTES SELON LA TAILLE DE LA PROTÉINE.

TYPE DE CUISSON

FUMAGE À CHAUD (très faible)	RÔTIR (faible)	CUISSON (moyen)	GRILLAGE/CUISSON (moyen/élevé)	SAISIR (élevé)
De 93 à 135 °C/ 199 à 275 °F	De 135 à 162 °C/ 275 à 323 °F	De 162 à 190 °C/ 323 à 374 °F	De 190 à 232 °C/ 374 à 449 °F	De 232 à 315 °C/ 449 à 600 °F

VOLAILLE	TAILLE	SAIGNANT 54 °C / 130 °F	À POINT 60 °C / 140 °F	BIEN CUIT 77 °C / 170 °F
Dinde (<i>entière</i>)	Entre 4,5 et 5 kg/10 et 11 lb Entre 5,3 et 6,4 kg/12 et 14 lb Entre 6,8 et 7,7 kg/15 et 17 lb Entre 8,2 et 10 kg/18 et 22 lb Entre 10,4 et 11,3 kg/23 et 25 lb			Griller de 90 à 120 minutes Griller de 110 à 140 minutes Griller de 130 à 160 minutes Griller de 140 à 170 minutes Griller de 180 à 150 minutes
Poulet (<i>entier</i>)	Entre 1,36 et 2,26 kg/3 et 5 lb			Griller de 1 à 1,5 heure
Pilons et poitrine de poulet	Entre 0,45 et 0,86 kg/1 et 1 ½ lb			Griller de 30 à 60 minutes
Petit gibier à plumes	Entre 0,45 et 0,86 kg/1 et 1 ½ lb			Griller de 30 à 45 minutes
Canard	Entre 1,36 et 2,26 kg/3 et 5 lb			Rôtir et griller de 2 à 2,5 heures

PORC	TAILLE	PRÉCUIRE POUR RÉCHAUFFER À 60 °C / 140 °F	À POINT 66 °C / 150 °F	BIEN CUIT 71 °C / 160 °F
Jambon (<i>portion entièrement cuite et désossée; de style pique-nique fumé entier avec os</i>)	2,5 cm/1 po Entre 1,36 et 1,81 kg/3 et 4 lb Entre 1,81 et 2,72 kg/4 et 6 lb Entre 2,26 et 3,62 kg/5 et 8 lb Entre 4,53 et 5,44 kg/10 et 12 lb	12 minutes Entre 50 et 60 minutes Entre 1 et 2 heures Entre 1 et 2,5 heures Entre 2 et 2,75 heures		
Rôti de longe de porc	Entre 1,36 et 1,81 kg/3 et 4 lb		Entre 1 et 2 heures	Entre 2 et 3 heures
Couronne de porc	Entre 1,81 et 2,26 kg/4 à 5 lb		Entre 1,5 et 2 heures	Entre 2 et 3 heures
Côtelettes (<i>longes, côtes</i>)	Entre 1,9 et 2,5 cm/¾ et 1 po Entre 3,1 et 3,9 cm/1 ¼ et 1 ½ po		Entre 10 et 12 minutes Entre 14 et 18 minutes	
Filet	Entre 1,9 et 2,5 cm/¾ et 1 po		Entre 20 et 30 minutes	Entre 30 et 45 minutes
Rôti de longe de porc (<i>sans os</i>)	Entre 1,36 et 2,26 kg/3 et 5 lb		Entre 1,25 et 1,75 heure	Entre 1,75 et 2,5 heures
Épaule de porc palette (<i>Pork Shoulder</i>)	Entre 3,62 et 4,53 kg/8 et 10 lb			Entre 93 et 98°C/ 200 et 210 °F de température interne

BŒUF	TAILLE	CHALEUR	À POINT 54 °C / 130 °F	MEDIUM 60 °C / 140 °F	BIEN CUIT 65 °C / 150 °F
Bifteck (<i>faux-filet, aloyau, entrecôte, surlonge ou filet mignon</i>)	1,9 cm/¾ po 2,5 cm/1 po 3,8 cm/1½ po 5 cm/2 po	Élevée	Saisir de 8 à 10 minutes Saisir de 10 à 12 minutes Saisir 10 minutes, griller de 8 à 10 minutes Saisir 10 minutes, griller de 10 à 14 minutes		
Bifteck de hampe	Entre 0,6 et 12,7 cm/¼ et ½ po	Élevée	Saisir de 5 à 7 minutes		
Bifteck de flanc	Entre 0,45 et 0,86 kg/1 et 1 ½ lb 1,9 cm/¾ po	Moyenne	Saisir 4 minutes, griller de 8 à 10 minutes		
Kebab	Entre 2,5 et 3,8 cm/1 et 1 ½ po	Moyenne	Griller de 10 à 12 minutes		
Filet (<i>entier</i>)	Entre 1,58 et 1,81 kg/3 ½ et 4 lb	Élevée/Moyenne	Saisir 10 minutes, griller de 15 à 20 minutes		
Galette de bœuf haché	1,9 cm/¾ po	Élevée/Moyenne	Saisir 4 minutes, griller de 4 à 6 minutes		
Rôti d'entrecôte (<i>sans os</i>)	Entre 2,26 et 2,72 kg/5 et 6 lb	Moyenne	Griller de 1,5 à 2 heures		
Rôti de triangle de bas de surlonge	Entre 0,9 et 1,13 kg/2 et 2 ½ lb	Élevée/Moyenne	Saisir 10 minutes, griller de 20 à 30 minutes		
Rosbif de côte	Entre 5,44 et 6,35 kg/12 et 14 lb	Moyenne	Entre 2,5 et 2,75 heures		
Côtelettes de veau	2,5 cm/1 po	Moyenne	Entre 10 et 12 minutes, direct		
Pointe de poitrine	Entre 3,62 et 7,25 kg/16 et 18 lb	Fumage à chaud	Cuire jusqu'à ce que la température interne atteigne 91 °C/195 °F		

AGNEAU	TAILLE	SAIGNANT 54 °C / 130 °F	À POINT 60 °C / 140 °F	BIEN CUIT 71 °C / 160 °F
Rôti (<i>frais</i>)	Entre 2,26 et 2,72 kg/5 et 6 lb		Entre 1 et 2 heures	
Couronne de porc	Entre 1,36 et 2,26 kg/3 et 5 lb		Entre 1 et 1,5 heure	1,5 heure

FRUITS DE MER	TAILLE	SAIGNANT 54 °C / 130 °F	À POINT 60 °C / 140 °F	BIEN CUIT 82 °C / 180 °F
Poisson (<i>entier</i>)	0,5 kg/1 lb Entre 0,9 et 1,1 kg/2 et 2 ½ lb 1,4 kg/3 lb			Griller de 10 à 20 minutes Griller de 20 à 30 minutes Griller de 30 à 45 minutes
Poisson (<i>filet</i>)	Entre 0,6 et 1,3 cm/¼ et ½ po			Griller de 3 à 5 minutes, jusqu'à ce qu'il se défatte
Queue de homard	0,15 kg/5 oz 0,3 kg/10 oz			Griller de 5 à 6 minutes Griller de 10 à 12 minutes

GIBIER SAUVAGE	TAILLE	SAIGNANT 60 °C / 140 °F	À POINT 71 °C / 160 °F	BIEN CUIT 77 °C / 170 °F
Rôti (<i>frais</i>)	Entre 2,26 et 2,72 kg/5 et 6 lb		Entre 1 et 1,5 heure	Entre 1,5 et 2 heures
Grandes pièces de viande (<i>frais</i>)	Entre 3,62 et 4,53 kg/8 et 10 lb		1 heure	1,5 heure

CONSEILS ET TECHNIQUES

Suivez ces conseils et techniques utiles, qui ont été transmis par des propriétaires d'appareils Louisiana Grills®, notre personnel et des clients comme vous, afin de mieux connaître votre barbecue :

SALUBRITÉ ALIMENTAIRE

- Maintenez la cuisine et la surface de cuisson propres. Utilisez des plats et des ustensiles différents de ceux que vous avez utilisés pour préparer ou transporter la viande crue sur le barbecue. Cela empêchera la contamination croisée des bactéries. Chaque marinade et sauce devrait avoir son propre ustensile.
- Conservez les aliments chauds à plus de 60 °C/140 °F et les aliments froids à moins de 3 °C/37 °F.
- Une marinade ne doit jamais être conservée pour une utilisation ultérieure. Si vous comptez l'utiliser pour accompagner votre viande, assurez-vous de la porter à ébullition avant de la servir.
- Les aliments cuits ne devraient pas être laissés à l'extérieur à la chaleur pendant plus d'une heure. Ne laissez pas d'aliments chauds hors du réfrigérateur pendant plus de deux heures.
- Décongelez et marinez la viande au réfrigérateur. Ne décongelez pas la viande à température ambiante. Les bactéries peuvent croître et se multiplier rapidement dans les aliments chauds et humides. Se laver soigneusement les mains à l'eau chaude savonneuse avant de commencer la préparation des repas et après avoir manipulé de la viande, du poisson et de la volaille frais.

PRÉPARATION CULINAIRE

- Soyez prêt, ou faites la mise en place. Il s'agit de préparer la recette de cuisson, le combustible, les accessoires, les ustensiles et tous les ingrédients dont vous avez besoin sur le barbecue avant de commencer la cuisson. Lisez aussi toute la recette, du début à la fin, avant d'allumer le barbecue.
- Un tapis de sol pour barbecue est très utile. Il permet de protéger une terrasse, un patio ou une plate-forme de pierre contre les taches de graisse et les dégâts accidentels, en raison de la manipulation des aliments et des éclaboussures pendant la cuisson.

CONSEILS ET TECHNIQUES POUR GRILLADES

- Pour donner plus de saveur de fumée à vos viandes, cuisez plus longtemps et à des températures plus basses (aussi appelée cuisson à feu doux et lent). La viande fermera ses fibres après avoir atteint une température interne de 49 °C/120 °F. La brume et le badigeonnage sont d'excellentes façons d'empêcher la viande de sécher.
- Tout en saisissant la viande, cuisinez avec le couvercle fermé. Utilisez toujours un thermomètre à viande pour déterminer la température interne des aliments que vous cuisinez. Fumer des aliments avec des granules de bois francs rend la viande et la volaille rose. La bande de rose (après la cuisson) est désignée comme un anneau de fumée et est fortement prisée par des chefs cuisiniers d'extérieur.
- Les sauces à base de sucre s'appliquent mieux vers la fin de la cuisson pour éviter les brûlures et les flambées.
- Laissez un espace libre entre les aliments et les extrémités du baril pour une bonne circulation de la chaleur. Des aliments entassés sur un barbecue nécessiteront plus de temps de cuisson.
- Utilisez une pince à long manche pour retourner la viande et une spatule pour retourner les hamburgers et le poisson. L'utilisation d'un ustensile de perçage, comme une fourchette, percera la viande et laissera le jus s'échapper.
- Les aliments dans des casseroles profondes nécessiteront plus de temps de cuisson que des aliments dans un plat de cuisson peu profond.
- Il est préférable de mettre les aliments cuits sur un plateau chauffé afin de les garder au chaud. Les viandes rouges, comme les biftecks et les rôtis, ont besoin d'un moment de repos de plusieurs minutes avant de servir. Ce repos permet aux jus que la chaleur a poussés vers la surface de retourner vers le ventre de la viande, ajoutant plus de saveur.

ENTRETIEN ET MAINTENANCE

Tout appareil Louisiana Grills® vous donnera de nombreuses années de service pour des plats savoureux avec un minimum de nettoyage. Suivez ces conseils de maintenance et de nettoyage pour l'entretien de votre barbecue :

ASSEMBLAGE DE LA TRÉMIE

- Des vérifications rapides des pièces permettent de s'assurer que tous les composants électriques de la trémie continuent à fonctionner correctement. Une fois que le panneau d'accès à la trémie est retiré (consultez le schéma des fils électriques), confirmez que l'allumeur est exempt de débris ou de blocages. Vérifiez également que les quatre vis de réglage sont bien serrées, en maintenant l'allumeur droit et centré dans le boîtier en acier inoxydable.
- Vérifiez et nettoyez tous les débris des bouches d'aération des ventilateurs, qui se trouvent sur les côtés extérieurs avant et arrière de la trémie. Essayez soigneusement toute accumulation de graisse directement sur les pales du ventilateur. Cela permet d'obtenir une aération suffisante pour le système d'alimentation.

FONCTION DE NETTOYAGE DE LA TRÉMIE

La trémie comprend une fonction de nettoyage qui permet de la nettoyer facilement et de changer les saveurs des granules de bois. Pour la vider, suivez les étapes suivantes :

1. Repérez la porte de nettoyage et le crochet de porte à l'arrière de la trémie.
2. Faites pivoter le crochet de porte (en haut) vers la droite pour qu'il se détache de la tige du loquet de déverrouillage. Placez un seau propre et vide sous la porte de nettoyage et laissez la porte s'abaisser.
3. Soulevez la tige du loquet de dégagement pour ouvrir la porte de la trémie, ce qui permet de vider les granules de la trémie.
4. Utilisez une brosse à long manche ou un aspirateur d'atelier pour enlever l'excès de granules, la sciure et les débris pour un nettoyage complet à travers le tamis de la trémie.

THERMOMÈTRES

- Des torsions ou des plis dans le fils de sonde peuvent endommager la pièce. Les fils doivent être enroulés dans une bobine large et lâche.
- Bien que le thermomètre de température et les thermomètres à viande soient en acier inoxydable, ne les mettez pas au lave-vaisselle et ne les plongez pas dans l'eau. Si les fils internes sont endommagés par l'eau, le thermomètre risque de faire un court-circuit et ainsi fausser les mesures. Si un thermomètre est endommagé, il doit être remplacé.

SURFACES INTÉRIEURES

- Il est recommandé de nettoyer votre grille de combustion après quelques utilisations. Cela permettra d'assurer un allumage correct et d'éviter toute accumulation de débris ou de cendres dans la grille de combustion.
- Utilisez une brosse à manche long pour nettoyer le barbecue, enlever tout aliment ou accumulation sur les grilles de cuisson. La pratique gagnante est de le faire alors qu'elles sont encore chaudes de la cuisson précédente. Les feux de graisse sont causés par une trop grande quantité de débris tombés sur les éléments de cuisson du barbecue. Nettoyez l'intérieur de votre barbecue de façon régulière. En cas de feu de graisse, gardez le couvercle du barbecue fermé pour éteindre le feu. Si le feu ne s'éteint pas rapidement, retirez soigneusement les aliments, éteignez le barbecue et fermez le couvercle jusqu'à ce que le feu soit complètement éteint. Saupoudrez un peu de bicarbonate de soude, si disponible.
- Vérifiez souvent votre seau à graisse et nettoyez-le au besoin. Gardez à l'esprit le type de cuisine que vous faites.

IMPORTANT : EN RAISON DE LA CHALEUR ÉLEVÉE, NE PAS COUVRIR LE BRÛLEUR À FLAMME OU LES THERMOMÈTRES AVEC DU PAPIER D'ALUMINIUM.

SURFACES EXTÉRIEURES

- Essayez votre barbecue après chaque utilisation. Utilisez de l'eau savonneuse chaude pour éliminer la graisse. N'utilisez pas de nettoyant pour four, de nettoyants abrasifs ou de tampons de nettoyage abrasifs sur les surfaces extérieures du barbecue. Toutes les surfaces peintes ne sont pas couvertes par la garantie, mais font plutôt partie de l'entretien général et de la maintenance. Pour les égratignures, l'usure ou l'écaillage du fini, toutes les surfaces peintes peuvent être retouchées avec de la peinture hautes températures pour BBQ.
- Utilisez une housse de barbecue pour une protection complète! Une housse est la meilleure protection contre les intempéries et les polluants extérieurs. Lorsque l'appareil n'est pas utilisé ou qu'il est entreposé pour une longue période, gardez-le à l'abri dans un garage ou une remise.

HORAIRE DE LA FRÉQUENCE DE NETTOYAGE (USAGE NORMAL)

ÉLÉMENT	FRÉQUENCE DE NETTOYAGE	MÉTHODE DE NETTOYAGE
Bas du baril principal	Toutes les 5 à 6 utilisations	Videz l'excédent de débris, puis passez l'aspirateur
Grille de combustion, pot de combustion	Toutes les 2 à 3 utilisations	Videz l'excédent de débris, puis passez l'aspirateur
Grilles de cuisson	Après chaque utilisation	Brûlez l'excédent, puis nettoyez le barbecue avec une brosse
Brûleur à flamme	Toutes les 5 à 6 utilisations	Grattez la plaque principale avec la glissière, ne pas laver
Seau à graisse	Tous les 15 jours	Nettoyez avec des tampons à récurer et de l'eau savonneuse
Système d'alimentation de la vis sans fin	Lorsque le sac de granules est vide	Laisser la vis sans fin pousser la sciure, laissant la trémie vide
Composantes électriques de la trémie	Une fois par année	Retirez le panneau d'accès, essuyez les pales du ventilateur avec de l'eau savonneuse
Évents d'évacuation d'air	Toutes les 5 à 6 utilisations	Nettoyez avec des tampons à récurer et de l'eau savonneuse
Thermomètres	Toutes les 2 à 3 utilisations	Nettoyez avec des tampons à récurer et de l'eau savonneuse

DÉPANNAGE

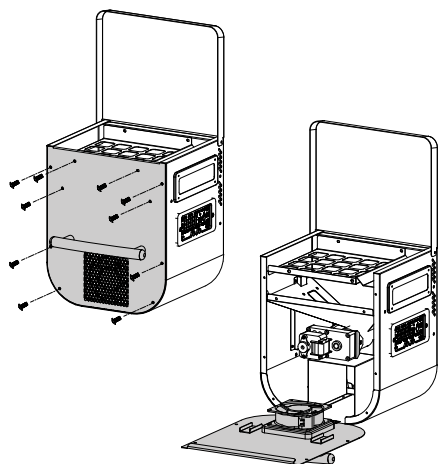
Un nettoyage et un entretien approprié ainsi que l'utilisation d'un combustible propre, sec et de qualité permettront d'éviter les problèmes opérationnels courants. Lorsque votre appareil Louisiana Grills® fonctionne mal ou moins fréquemment, les conseils de dépannage suivants peuvent vous être utiles. Pour la foire aux questions, veuillez consulter le site www.louisiana-grills.com. Vous pouvez également communiquer avec un marchand autorisé ou le service à la clientèle pour obtenir de l'aide.

AVERTISSEMENT : DÉBRANCHEZ TOUJOURS LE CORDON ÉLECTRIQUE AVANT D'OUVRIR LE BARBECUE POUR TOUT TRAVAIL D'INSPECTION, DE NETTOYAGE, D'ENTRETIEN OU DE MAINTENANCE. ASSUREZ-VOUS QUE LE BARBECUE EST COMPLÈTEMENT REFROIDI AFIN D'ÉVITER LES BLESSURES.

PROBLÈMES	CAUSES POSSIBLES	SOLUTIONS
Le voyant d'alimentation ne clignote pas sur le panneau de contrôle	Non branché à une source d'alimentation	Assurez-vous que l'appareil est branché sur une source d'alimentation fonctionnelle. Réinitialiser le disjoncteur. Assurez-vous que le disjoncteur de fuite à la terre est d'une intensité minimale de 10 A (voir le schéma des fils électriques pour l'accès aux composants électriques). Veillez à ce que tous les raccordements des fils soient fermement raccordés et secs.
	Fusible grillé	Débranchez l'appareil de la source d'alimentation et retirez le panneau d'accès à la trémie (consultez le schéma des fils électriques). Retirez le panneau de contrôle, puis vérifiez si le fusible n'est pas cassé ou si le fil est devenu noir. Si tel est le cas, le fusible doit être remplacé manuellement.
	Le disjoncteur de fuite à la terre a s'est déclenché	Retirez le panneau d'accès à la trémie (voir le schéma des fils électriques) et assurez-vous que toutes les connexions des fils sont fermement connectées et sèches. Veillez à ce que le disjoncteur de fuite à la terre est d'au moins 10 A.
	Centre de contrôle défectueux	Le panneau de contrôle doit être remplacé. Communiquez avec le service à la clientèle pour obtenir des pièces de remplacement.
Le feu dans la grille de combustion ne s'allume pas	Grille de combustion	Vérifiez que la grille de combustion est bien positionnée. Suivez les instructions d'entretien et de maintenance pour l'accumulation des cendres.
	Le moteur de la vis sans fin est bloqué	Éteignez l'appareil en appuyant sur le bouton de mise en marche et en le maintenant enfoncé pendant trois secondes. Retirez les éléments de cuisson du baril principal. Appuyez sur le bouton de mise en marche et en le maintenant enfoncé pendant trois secondes pour mettre l'appareil en marche et inspectez le système d'alimentation de la vis sans fin. Confirmez visuellement que la vis sans fin fait tomber des granulés dans la grille de combustion. Si elle ne fonctionne pas correctement, appelez le service clientèle pour obtenir de l'aide.
La lecture de la température réelle ne s'ajuste pas	Sonde de grillage sale	Suivez les instructions d'entretien et de maintenance.
	La sonde du gril est cassée	La sonde du gril doit être remplacée. Contactez le service clientèle.
Flambées fréquentes	Fermez le diffuseur de chaleur pour une cuisson indirecte à la flamme.	Essayez de cuire à une température plus basse. La graisse a un point éclair. Maintenez la température en dessous de 180 °C / 350 °F lors de la cuisson d'aliments très gras.
	Accumulation de graisse	Suivez les instructions d'entretien et de maintenance.
	Le diffuseur de chaleur est ouvert	Fermez le diffuseur de chaleur pour une cuisson indirecte à la flamme.
Le barbecue produit un excès de fumée ou une fumée décolorée	Accumulation de graisse	Suivez les instructions d'entretien et de maintenance.
	Qualité des granulés de bois	Retirez de granulés de bois humide de la trémie. Suivez les instructions d'entretien et de maintenance pour nettoyer. Remplacer avec des granulés de bois sèches.
	La grille de combustion est bloquée	Retirez les granulés de bois humides de la grille de combustion. Suivez la procédure d'amorçage de la trémie.
	Insuffisance d'entrée d'air pour le ventilateur	Vérifiez le ventilateur. Assurez-vous qu'il fonctionne correctement et que l'entrée d'air n'est pas obstruée. Suivez les instructions d'entretien et de maintenance pour nettoyer.

Le barbecue n'atteint pas ou ne maintient pas une température stable	Débit d'air insuffisant à travers la grille de combustion	Vérifiez le bon positionnement des éléments de cuisson. Vérifiez que la grille de combustion est bien positionnée. Suivez les instructions d'entretien et de maintenance pour l'accumulation des cendres. Vérifiez que l'entrée d'air du ventilateur n'est pas bloquée. S'il n'y a pas de blocage, retirez le panneau d'accès à la trémie (consultez le schéma des fils électriques) et repérez les fils bleus et blancs du ventilateur. Assurez-vous que la connexion est bien serrée en tirant légèrement sur chaque fil. S'il est desserré, repoussez dans le connecteur jusqu'à ce qu'il s'enclenche. Vérifiez la propreté des pales du ventilateur.
	Manque de carburant, mauvaise qualité du carburant, obstruction du système d'alimentation	Vérifiez la trémie pour être certain que le niveau de carburant est suffisant, et faites le plein si le niveau est bas. Si les granules de bois sont de mauvaise qualité ou trop longs, ils peuvent obstruer le système d'alimentation. Retirez les granules et suivez les instructions d'entretien et de maintenance.
	Thermomètre pour le barbecue	Vérifier l'état du thermomètre pour le barbecue. Suivez les instructions d'entretien et de maintenance pour nettoyer. Communiquez avec le service à la clientèle pour obtenir des pièces de remplacement en cas de dommage.
Code d'erreur Er1	Le thermomètre pour le barbecue n'est pas connecté.	Vérifiez que le thermomètre pour le barbecue n'est pas endommagé. Suivez les instructions d'entretien et de maintenance pour nettoyer. Si tout semble en bon état, vérifiez la connexion au centre de contrôle numérique. Débranchez l'appareil de la source d'alimentation. Enlever le panneau d'accès de la trémie (voir le schéma des fils électriques). Repérez les fils blancs du thermomètre pour le barbecue. Déconnectez les cosses à fourchette, puis reconnectez-les jusqu'à ce qu'ils s'enclenchent. Remplacez le panneau d'accès de la trémie.
Code d'erreur ErH	L'appareil a surchauffé, peut-être en raison d'un feu de graisse ou d'un excès de carburant	Débranchez l'appareil de la source d'alimentation et laissez-le refroidir. Suivez les instructions d'entretien et de maintenance. Retirez les cendres et les granules non brûlés de la grille de combustion et du fond du gril. Vérifiez que la grille de combustion est bien positionnée. Vérifiez le bon positionnement des éléments de cuisson. Après l'entretien, branchez l'appareil à la source d'alimentation. Appuyez et maintenez appuyé le bouton d'alimentation pendant trois secondes pour mettre l'appareil en marche. Si le code d'erreur est toujours affiché, contactez le service clientèle.
L'icône de VENTILATEUR clignotante	Le ventilateur n'établit pas de connexion	Débranchez l'appareil de la source d'alimentation. Retirez le panneau d'accès à la trémie (consultez le schéma des fils électriques). Repérez les fils bleus et blancs du ventilateur. Vérifiez si les pales du ventilateur sont endommagées. Suivez les instructions d'entretien et de maintenance si elles sont sales. Débranchez les connecteurs de la bêche, puis rebranchez-les jusqu'à ce qu'il y ait un clic. Remplacez le panneau d'accès à la trémie. Si le code d'erreur est toujours affiché, contactez le service clientèle.
L'icône d'ALLUMEUR clignotante	L'allumeur n'établit pas de connexion	Débranchez l'appareil de la source d'alimentation. Retirez le panneau d'accès à la trémie (consultez le schéma des fils électriques). Repérez les fils rouges et blancs de l'allumeur. Débranchez le connecteur mox simple, puis rebranchez-le jusqu'à ce qu'il s'enclenche. Remplacez le panneau d'accès à la trémie. Si le code d'erreur est toujours affiché, contactez le service clientèle.
L'icône de TARIÈRE clignotante	Le moteur de la vis sans fin n'établit pas de connexion	Débranchez l'appareil de la source d'alimentation. Retirez le panneau d'accès à la trémie (consultez le schéma des fils électriques). Repérez les fils jaunes et blancs du moteur de la vis sans fin. Vérifiez si le moteur et le support de la vis sans fin sont endommagés. Débranchez les connecteurs de la bêche, puis rebranchez-les jusqu'à ce qu'il y ait un clic. Remplacez le panneau d'accès à la trémie. Si le code d'erreur est toujours affiché, contactez le service clientèle.
L'icône GRANULÉ visible	Manque de carburant, mauvaise qualité du carburant, obstruction du système d'alimentation	Vérifiez la trémie pour être certain que le niveau de carburant est suffisant, et faites le plein si le niveau est bas. Si les granules de bois sont de mauvaise qualité ou trop longs, ils peuvent obstruer le système d'alimentation. Retirez les granules et suivez les instructions d'entretien et de maintenance.

COMPOSANTS ÉLECTRIQUES



Le système du panneau de contrôle est une technologie complexe et précieuse. Pour la protection contre les surtensions et les courts-circuits électriques, consultez le schéma électrique ci-dessous pour vous assurer que votre source d'alimentation est suffisante pour le fonctionnement de l'appareil.

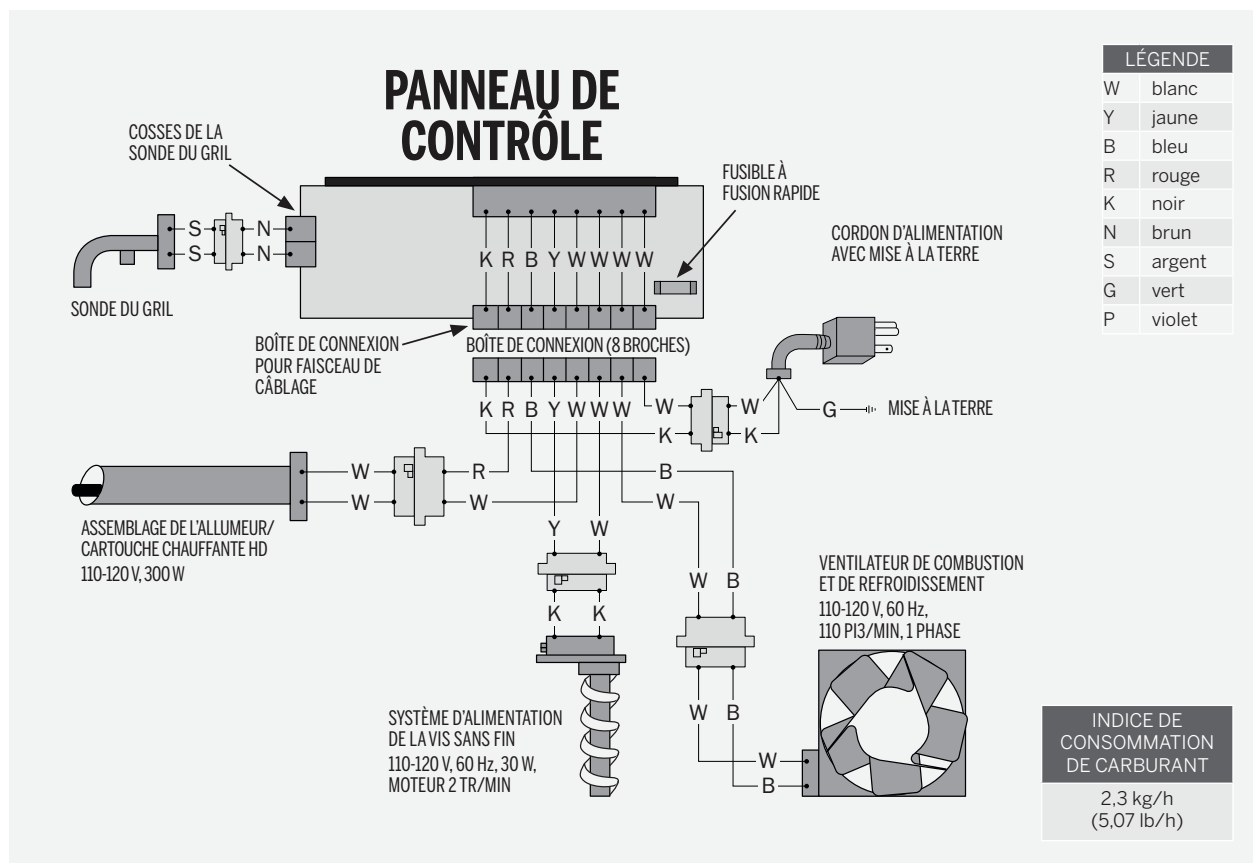
PANNEAU D'ACCÈS À LA TRÉMIE

Repérez les dix vis situées sur le côté de la trémie pour accéder aux composants électriques. Une fois les vis retirées, le panneau d'accès peut s'ouvrir, retenu par le gond inférieur.

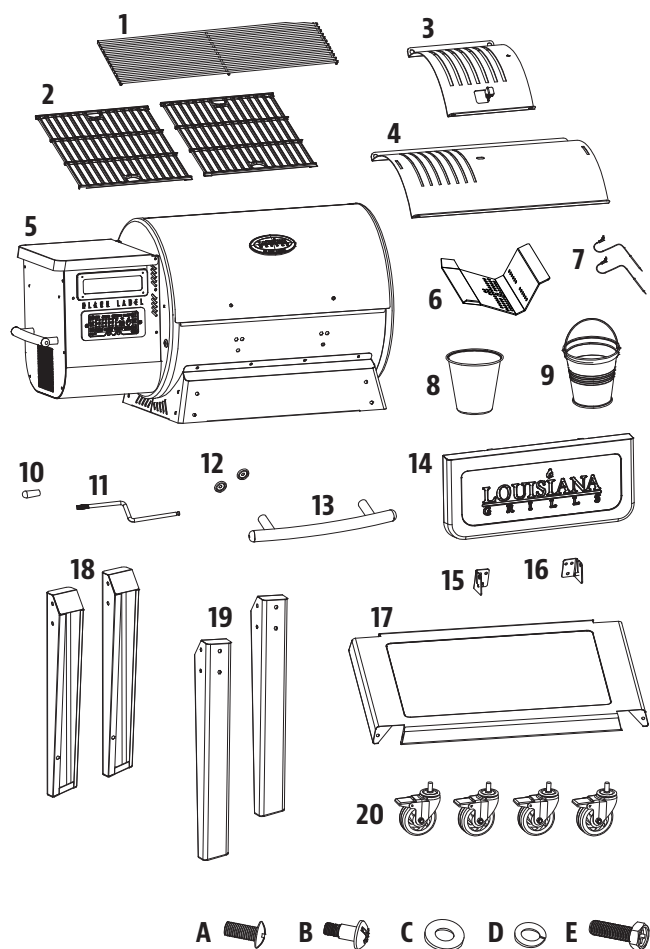
EXIGENCES ÉLECTRIQUES

Prise de terre à 3 broches de 110-120 V, 60 Hz et 375 W

REMARQUE : Les composants électriques, qui ont passé avec succès les tests de sécurité des produits et les services de certification, respectent une tolérance d'essai de 5 à 10 %.



PIÈCES DE REMPLACEMENT



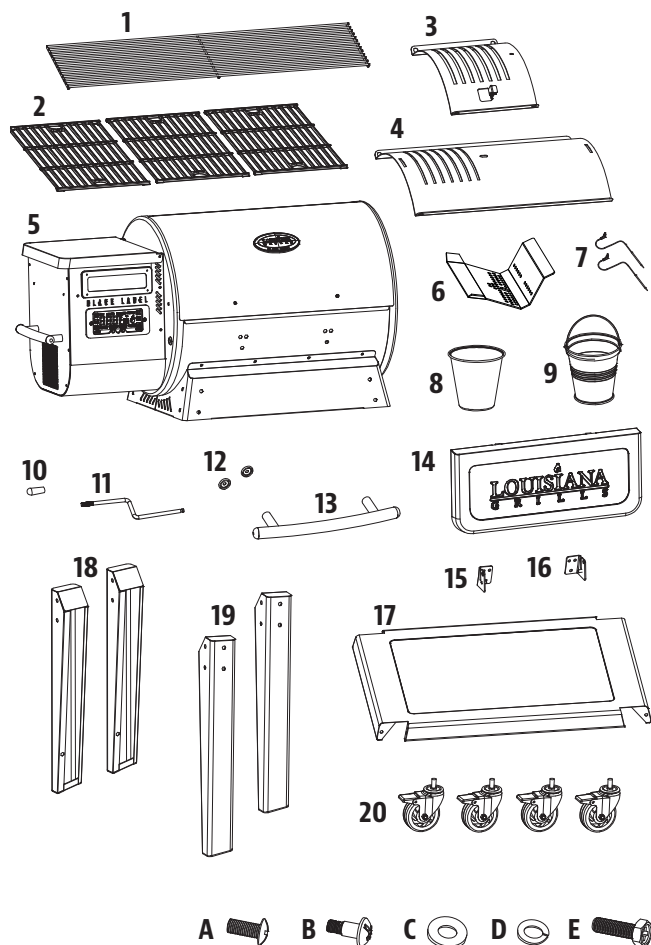
LG0800BL

REMARQUE : En raison du développement continu des articles, les pièces sont sujettes à changement sans préavis.

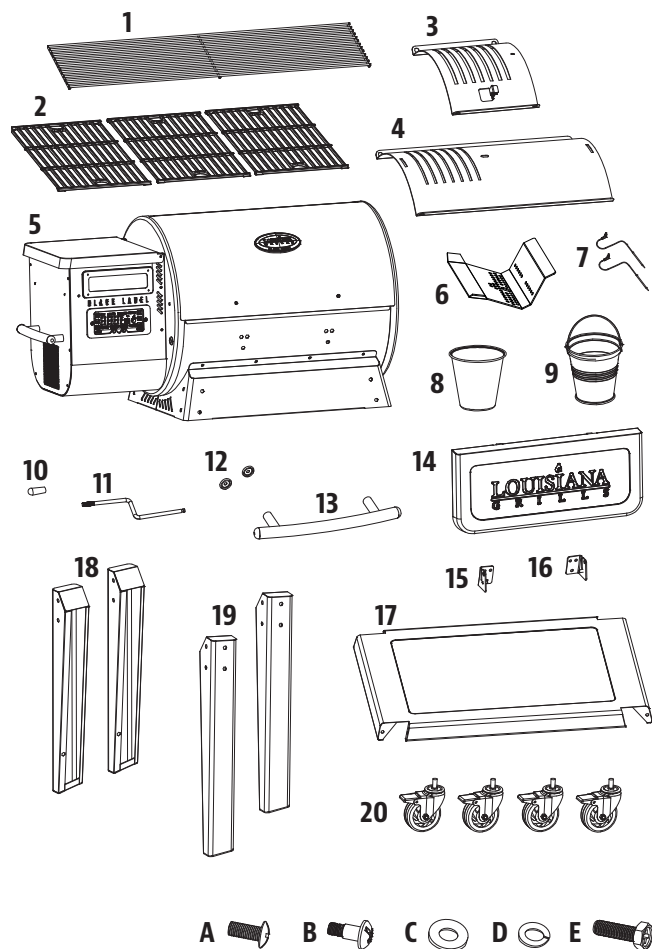
N°	DÉSIGNATION
1	Grille de cuisson supérieure (x1)
2	Grille de cuisson (x2)
3	Plaque coulissante du diffuseur de chaleur (x1)
4	Plaque principale du diffuseur de chaleur (x1)
5	Assemblage corps principal/trémie (x1)
6	Grille de combustion (x1)
7	Sonde de cuisson (x2)
8	Revêtement du seau à graisse (x1)
9	Seau à graisse (x1)
10	Poignée de la barre de réglage du diffuseur de chaleur (x1)
11	Barre de réglage du diffuseur de chaleur (x1)
12	Bague de la poignée pour couvercle (x2)
13	Poignée pour couvercle (x1)
14	Étagère avant (x1)
15	Support pour étagère avant / gauche (x1)
16	Support pour étagère avant / droit (x1)
17	Étagère inférieure (x1)
18	Pied de support A (x2)
19	Pied de support B (x2)
20	Roulette pivotante à frein (x4)
A	Vis (x30)
B	Vis (x2)
C	Rondelle (x32)
D	Rondelle de blocage (x32)
E	Vis (x2)

LG1000BL

REMARQUE : En raison du développement continu des articles, les pièces sont sujettes à changement sans préavis.



N°	DÉSIGNATION
1	Grille de cuisson supérieure (x1)
2	Grille de cuisson (x3)
3	Plaque coulissante du diffuseur de chaleur (x1)
4	Plaque principale du diffuseur de chaleur (x1)
5	Assemblage corps principal/trémie (x1)
6	Grille de combustion (x1)
7	Sonde de cuisson (x2)
8	Revêtement du seau à graisse (x1)
9	Seau à graisse (x1)
10	Poignée de la barre de réglage du diffuseur de chaleur (x1)
11	Barre de réglage du diffuseur de chaleur (x1)
12	Bague de la poignée pour couvercle (x2)
13	Poignée pour couvercle (x1)
14	Étagère avant (x1)
15	Support pour étagère avant / gauche (x1)
16	Support pour étagère avant / droit (x1)
17	Étagère inférieure (x1)
18	Pied de support A (x2)
19	Pied de support B (x2)
20	Roulette pivotante à frein (x4)
A	Vis (x30)
B	Vis (x2)
C	Rondelle (x32)
D	Rondelle de blocage (x32)
E	Vis (x2)



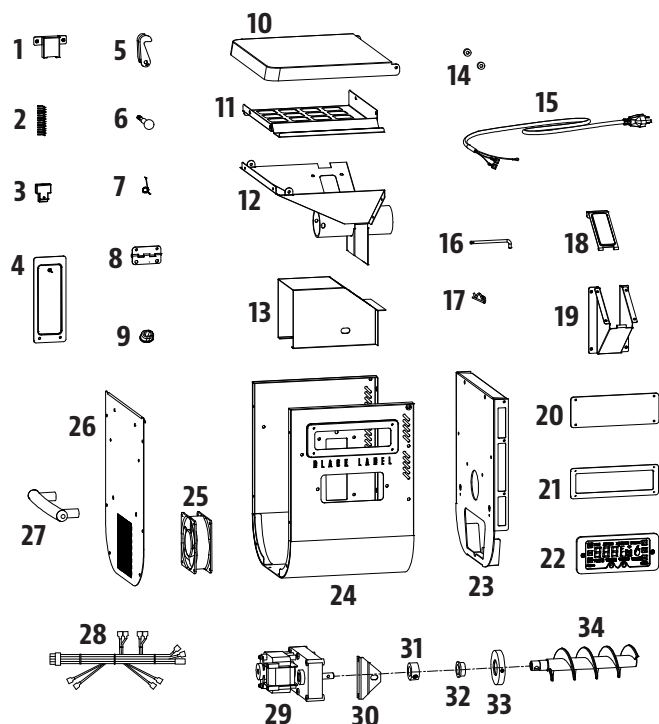
LG1200BL

REMARQUE : En raison du développement continu des articles, les pièces sont sujettes à changement sans préavis.

N°	DÉSIGNATION
1	Grille de cuisson supérieure (x1)
2	Grille de cuisson (x3)
3	Plaque coulissante du diffuseur de chaleur (x1)
4	Plaque principale du diffuseur de chaleur (x1)
5	Assemblage corps principal/trémie (x1)
6	Grille de combustion (x1)
7	Sonde de cuisson (x2)
8	Revêtement du seau à graisse (x1)
9	Seau à graisse (x1)
10	Poignée de la barre de réglage du diffuseur de chaleur (x1)
11	Barre de réglage du diffuseur de chaleur (x1)
12	Bague de la poignée pour couvercle (x2)
13	Poignée pour couvercle (x1)
14	Étagère avant (x1)
15	Support pour étagère avant / gauche (x1)
16	Support pour étagère avant / droit (x1)
17	Étagère inférieure (x1)
18	Pied de support A (x2)
19	Pied de support B (x2)
20	Roulette pivotante à frein (x4)
A	Vis (x30)
B	Vis (x2)
C	Rondelle (x32)
D	Rondelle de blocage (x32)
E	Vis (x2)

TRÉMIE

REMARQUE : En raison du développement continu des articles, les pièces sont sujettes à changement sans préavis.



N°	DÉSIGNATION
1	Gâche du système de nettoyage de la trémie (x1)
2	Ressort de verrouillage du système de nettoyage de la trémie (x1)
3	Bec de cane du système de nettoyage de la trémie (x1)
4	Porte du système de nettoyage de la trémie (x1)
5	Loquet de verrouillage du système de nettoyage de la trémie (x1)
6	Bouton du système de nettoyage de la trémie, connecteur (x1)
7	Ressort de la porte du système de nettoyage de la trémie (x1)
8	Charnière courte (x1)
9	Attache pour cordon d'alimentation (x1)
10	Couvercle de la trémie (x1)
11	Écran de sécurité de la trémie (x1)
12	Assemblage du corps de la trémie (x1)
13	Chambre d'écoulement d'air (x1)
14	Rondelles en plastique (x2)
15	Cordon d'alimentation (x1)
16	Axe du système de nettoyage de la trémie (x1)
17	Goupille bêta (x1)
18	Encadrement de la porte du système de nettoyage de la trémie (x1)
19	Canal d'évacuation du système de nettoyage de la trémie (x1)
20	Indicateur de niveau de la trémie (x1)
21	Encadrement de l'indicateur du niveau de la trémie (x1)
22	Panneau de contrôle (x1)
23	Panneau avant de la trémie (x1)
24	Logement de la trémie (x1)
25	Ventilateur (x1)
26	Panneau d'accès à la trémie (x1)
27	Poignée latérale de la trémie (x1)
28	Harnais de câbles (x1)
29	Moteur de la vis sans fin (x1)
30	Support de fixation de la vis sans fin (x1)
31	Collier de verrouillage (x1)
32	Bague en nylon (x1)
33	Embout métallique (x1)
34	Nervures hélicoïdales (x1)

GARANTIE

CONDITIONS

Tous les barbecues à granules de bois Louisiana Grills®, fabriqués par Dansons, sont couverts par une garantie limitée à partir de la date de vente par le propriétaire original. La couverture de la garantie débute à la date d'achat originale; une preuve de la date d'achat ou une copie de l'acte de vente original est requise pour valider la garantie. Les clients seront assujettis à des frais pour les pièces, l'expédition et la manutention s'ils ne sont pas en mesure de fournir une preuve d'achat ou après l'expiration de la garantie.

Dansons offre une garantie de cinq (5) ans contre les défauts de fabrication et de la main-d'œuvre sur toutes les pièces en acier (à l'exception de la grille de combustion) et de cinq (5) ans sur les composants électriques. Dansons garantit que toutes les pièces sont exemptes de défauts de matériaux et de fabrication, pour la durée d'utilisation et de la propriété de l'acheteur original. Il n'y a pas de garantie spécifique sur le thermomètre pour le barbecue, le thermomètre à viande, la peinture, le revêtement par poudrage, la grille de combustion, le couvercle du barbecue et tous les joints d'étanchéité ou encore contre les dommages causés par la corrosion. La garantie ne couvre pas les dommages causés par l'usure, tels que les égratignures, les bris, les coups, les éclats et les fissures esthétiques mineures. Ces changements esthétiques n'affectent pas les performances du barbecue. La réparation ou le remplacement de toute pièce ne prolonge pas la garantie limitée.

Pendant la durée de la garantie, l'obligation de Dansons se limite à fournir un remplacement des composants défectueux et/ou endommagés. Pendant la période de garantie, Dansons ne facturera pas pour la réparation ou le remplacement des pièces retournées et les frais de transport prépayés si les pièces sont jugées défectueuses. Dansons n'est pas responsable des frais de transport, des coûts de main-d'œuvre ou des taxes à l'exportation. Sous réserve des dispositions des présentes conditions de garantie, la réparation ou le remplacement de pièces et pour la durée mentionnée ci-dessus constitue l'exécution de toutes les responsabilités et obligations directes de Dansons envers vous.

Dansons prend toutes les précautions nécessaires pour utiliser des matériaux résistants à la rouille. Même avec ces mesures de protection, les revêtements protecteurs peuvent être compromis par diverses substances et conditions qui échappent au contrôle de la société Dansons. Les températures élevées, l'humidité excessive, le chlore, les fumées industrielles, les engrais, les pesticides pour gazon et le sel font partie des substances qui peuvent affecter le revêtement métallique. Pour ces raisons, la garantie ne couvre pas la rouille ou l'oxydation, à moins qu'il y ait une perte d'intégrité structurale sur la composante du barbecue. Si l'une de ces situations se produit, veuillez consulter la section entretien et maintenance de ce manuel afin de prolonger la durée de vie de votre appareil. Dansons recommande l'utilisation d'une housse de barbecue lorsqu'il n'est pas en fonction.

Cette garantie est basée sur l'utilisation domestique et l'entretien normal du barbecue. Aucune garantie limitée ne s'applique pour un barbecue qui est utilisé pour des applications commerciales.

EXCEPTIONS

Il n'y a aucune garantie de performance écrite ou implicite sur les appareils Louisiana Grills®, car le fabricant n'a aucun contrôle sur l'installation, le fonctionnement, le nettoyage, l'entretien ou le type de carburant brûlé. La présente garantie ne s'appliquera pas et Dansons n'assumera aucune responsabilité si votre appareil n'a pas été installé, utilisé, nettoyé et entretenu en toute conformité avec ce manuel. La combustion d'autre carburant que des granules de bois de qualité peut annuler la garantie. La garantie ne couvre pas les dommages ou les bris dus à un usage inapproprié, à une mauvaise utilisation ou à des modifications.

Ni Dansons, ni le marchand autorisé Louisiana Grills® n'accepte la responsabilité, légale ou autre, pour les dommages indirects ou consécutifs à la propriété ou aux personnes résultant de l'utilisation de cet article. Si une réclamation est faite contre Dansons en fonction de la violation de la présente garantie ou tout autre type de garantie exprimée ou implicite prévue par la loi, le fabricant ne doit en aucun cas être tenu responsable de tout dommage spécial, indirect ou consécutif de quelque nature que ce soit, excédent l'achat initial de cet article. Toutes les garanties du fabricant sont énoncées aux présentes et aucune réclamation ne peut être faite contre le fabricant à l'égard de toute garantie ou représentation.

Certains pays ne permettent pas l'exclusion ou la limitation des accidents et des dommages indirects et consécutifs, ou l'exclusion de garanties implicites, de sorte que les exclusions et les limitations ci-dessus pourraient ne pas s'appliquer à vous. La présente garantie limitée vous accorde des droits légaux précis. Vous pouvez aussi détenir des droits qui varient d'un État ou d'une province à l'autre.

SERVICE DE GARANTIE

Contactez le marchand Louisiana Grills® le plus près pour la réparation ou le remplacement de pièces. Dansons exige une preuve d'achat pour faire une réclamation au titre de la garantie; par conséquent, conservez votre reçu de caisse ou votre facture originale pour référence ultérieure. Le numéro de série et de modèle de votre appareil Louisiana Grills® se trouve sur la trémie. Inscrivez les numéros ci-dessous, car l'étiquette pourrait devenir usée ou illisible.

MODÈLE

NUMÉRO DE SÉRIE

DATE D'ACHAT

MARCHAND AUTORISÉ

COMMUNIQUER AVEC LE SERVICE À LA CLIENTÈLE

SI VOUS AVEZ DES QUESTIONS OU DES PROBLÈMES,
VEUILLEZ COMMUNIQUER AVEC SERVICE À LA CLIENTÈLE.

WWW.LOUISIANA-GRILLS.COM

RECETTES

DIFFICULTÉ : FACILE
MÉTHODE DE CUISSON : FUMAGE
PORTIONS : 8
TEMPS DE PRÉPARATION :
 10 MINUTES
TEMPS DE CUISSON :
 480 MINUTES

PARFUM DES GRANULÉS :

- CARYER
- CHÊNE
- MESQUITE
- PACANIER

DIFFICULTÉ : FACILE
MÉTHODE DE CUISSON : FUMAGE
PORTIONS : 4
TEMPS DE PRÉPARATION :
 10 MINUTES
TEMPS DE CUISSON :
 315 MINUTES

PARFUM DES GRANULÉS :

- MÉLANGE DE COMPÉTITION
- CARYER
- MESQUITE

POITRINE DE BŒUF FUMÉE À LA TEXANE

Une recette de poitrine de bœuf fumée à la texane se doit d'être simple à suivre et d'utiliser des ingrédients de base. Pourquoi ? Parce que la star du plat est la viande. Avec cette recette de poitrine de bœuf, pas besoin de compliquer les choses pour profiter d'une saveur naturelle. Il suffit d'une simple marinade sèche pour obtenir une magnifique croûte.

INGRÉDIENTS :

1 poitrine de bœuf, 5,4 à 6,8 kg
 Marinade sèche « Beef and Brisket Rub » de Louisiana Grills®

INSTRUCTIONS :

- Allumez votre gril. Laissez le feu prendre puis paramétrez votre gril sur 225°F (107°C). Pendant qu'il chauffe, retirez l'excès de gras de votre poitrine de bœuf en ne laissant qu'environ un demi-centimètre de gras afin que la viande reste tendre malgré le long processus de cuisson.
- Assaisonnez avec votre marinade sèche préférée, suivez vos envies ! Placez votre poitrine de bœuf sur les grilles, gras vers le haut. Fumez la viande pendant 8 à 10 heures, ou jusqu'à ce que sa température interne atteigne 87°C.
- Retirez la viande du gril. Enroulez-la dans du papier kraft rose de boucher, puis dans une serviette. Laissez la viande refroidir durant une heure afin que les jus se diffusent.
- Coupez-la dans le sens du grain !

ASTUCE : POUR ACCÉLÉRER LE PLATEAU (PHASE DE LA CUISSON LORS DE LAQUELLE LA TEMPÉRATURE INTERNE STAGNE DURANT UNE LONGUE PÉRIODE AVANT D'AUGMENTER DE NOUVEAU), ENROULEZ FERMEMENT VOTRE POITRINE DE BŒUF DANS DU PAPIER ALUMINIUM OU DU PAPIER KRAFT ROSE DE BOUCHER AVEC UN PEU DE LIQUIDE (LE BOUILLON DE BŒUF EST UNE BONNE OPTION), PUIS REMETTEZ LA VIANDE SUR LE GRIL JUSQU'À ATTEINDRE LA TEMPÉRATURE SOUHAITÉE.

CÔTES DE PORC FUMÉES BASIQUES

La recette basique des côtes de porc fumées ne demande pas beaucoup d'efforts, mais permet de donner à la viande une douce saveur. Prenez deux travers de porc et utilisez la méthode du fumage à chaud (low and slow) durant 4h30, afin d'obtenir une délicieuse viande fumée et juteuse. Les dernières 45 minutes de cuisson permettent d'enfermer les saveurs avec une jolie croûte en cuisant les côtes à l'intérieur d'une feuille d'aluminium à 350°F (176°C).

INGRÉDIENTS :

2 travers de porc
 Marinade sèche « Sweet Rib Rub » de Louisiana Grills®

INSTRUCTIONS :

- Pendant que le gril chauffe, retirez la membrane de l'envers des côtes en faisant glisser un couteau à beurre en dessous pour la décoller. Avec une feuille d'essuie-tout, attrapez la membrane ainsi décollée et retirez-la entièrement.
- Assaisonnez les côtes des deux côtés avec la marinade sèche « Sweet Rib Rub ». Placez les côtes de porc, côté viande vers le haut, sur les grilles et fermez le couvercle. Fumez-les durant environ 4h30.
- Enroulez-les dans de l'aluminium et replacez-les sur le gril à 350°F (176°C) durant 45 minutes.
- Retirez vos côtes du gril et laissez-les reposer pendant 10 minutes.
- Coupez-les et servez-les pendant qu'elles sont chaudes. Bon appétit !

ASTUCE : POUR OBTENIR UNE SAVEUR COMPLEXE, METTEZ DE LA MOUTARDE À L'ANCIENNE SUR LES CÔTES DE PORC AVANT D'APPLIQUER LA MARINADE SÈCHE.

DIFFICULTÉ: FACILE

MÉTHODE DE CUISSON : AU GRIL

PORTIONS : 4

TEMPS DE PRÉPARATION :
60 MINUTES

TEMPS DE CUISSON :
20 MINUTES

PARFUM DES GRANULÉS :

- POMME
- MÉLANGE DE COMPÉTITION
- BOIS D'ARBRE FRUITIER
- CERISE

DIFFICULTÉ: FACILE

MÉTHODE DE CUISSON :
BARBECUE

PORTIONS : 4

TEMPS DE PRÉPARATION :
10 MINUTES

TEMPS DE CUISSON :
75 MINUTES

PARFUM DES GRANULÉS :

- CARYER
- MÉLANGE DE COMPÉTITION
- MESQUITE

FILET MIGNON DE PORC GRILLÉ

Vous êtes à la recherche d'une recette simple à base de porc permettant d'obtenir des saveurs raffinées ? Cette recette de filet mignon de porc grillé est délicieuse et rapide. Avec simplement de l'huile d'olive, du sucre roux et l'assaisonnement « Tennessee Apple Butter », vous obtiendrez un plat principal de qualité. Vous pouvez l'accompagner de polenta et de bacon.

INGRÉDIENTS :

- 1 filet mignon de porc, paré, membrane nerveuse retirée
- 2 cuillères à soupe (30 g) de sucre roux
- 2 cuillères à soupe (30 g) d'huile d'olive
- 2 cuillères à soupe (30 g) d'assaisonnement « Tennessee Apple Butter » de Louisiana Grills®

INSTRUCTIONS :

- Dans un petit bol, mélangez l'huile d'olive, le sucre roux et l'assaisonnement « Tennessee Apple Butter ». Recouvrez généreusement le filet mignon de porc avec la mixture obtenue. Laissez la viande mariner durant 1 heure.
- Allumez votre gril. Laissez le feu prendre puis paramétrez votre gril sur 350°F (176°C). Faites griller le filet mignon durant 5 à 7 minutes de chaque côté, ne retournez la viande qu'une seule fois et laissez-la cuire jusqu'à ce que sa température interne atteigne 145°F (62°C).
- Retirez le filet mignon du gril et laissez-le reposer durant 10 minutes.
- Coupez-le et servez !

ASTUCE : POUR OBTENIR UNE DÉLICIEUSE SAVEUR DE POMME, LAISSEZ MARINER LE FILET MIGNON DANS DU JUS DE POMME DURANT TOUTE UNE NUIT, RECOUVERT ET PLACÉ AU RÉFRIGÉRATEUR.

POULET CHAMPION SUR CANETTE DE BIÈRE

Un jour, un adepte du gril buvait tranquillement sa bière quand une pensée lui traversa l'esprit : « Ne serait-elle pas meilleure si j'enfilais un poulet dessus avant de le cuire ? » Ainsi est né le poulet sur canette de bière. Cette recette de poulet « champion » sur canette de bière est un clin d'œil au populaire barbecue dans le jardin. Notre fameux assaisonnement « Champion Chicken » enrobe la volaille qui est ensuite cuite sur un « chicken throne » rempli de bière et de sauce barbecue. Cette cuisson permet d'obtenir une délicieuse viande tendre et juteuse qui fera le bonheur de toute la famille.

INGRÉDIENTS :

- 1 poulet entier
- 1 canette de bière, peu importe la marque
- 3 cuillères à soupe (45 g) de sauce barbecue « Memphis Style » de Louisiana Grills®
- 2 cuillères à soupe (30 g) d'huile d'olive
- Assaisonnement « Champion Chicken » de Louisiana Grills®

INSTRUCTIONS :

- Sortez le poulet de son sac et retirez bien tous les abats et organes. Rincez l'intérieur et l'extérieur de la volaille, puis séchez-la avec du papier essuie-tout. Utilisez un pinceau pour généreusement recouvrir la viande d'huile d'olive et assaisonnez-la avec le mélange « Champion Chicken » de Louisiana Grills®. Laissez la volaille mariner durant au moins 15 minutes.
- Videz la moitié d'une canette de bière. Ajoutez ensuite la sauce barbecue à l'intérieur, ou bien dans un « chicken throne ». Faites doucement glisser le poulet sur la canette ou le « chicken throne », afin que la cavité soit parfaitement ajustée. Repliez les ailes du poulet dans son dos.
- Allumez votre gril. Laissez le feu prendre puis paramétrez votre gril sur 350°F (176°C).
- Faites griller votre poulet en position verticale sur la canette de bière ou le « chicken throne » durant 1h à 1h15, jusqu'à ce que la température interne de la zone la plus épaisse de la volaille (blanc et cuisses) atteigne 180°F (82°C) et que les jus de cuisson soient clairs.
- Retirez le poulet du gril et laissez-le reposer durant 15 minutes.
- Découpez le poulet et servez.

ASTUCE : POUR PLUS DE SAVEURS, LAISSEZ LE POULET MARINER TOUTE UNE NUIT AU RÉFRIGÉRATEUR DANS DE L'EAU SALÉE.

INFORMACIÓN DE SEGURIDAD

LAS PRINCIPALES CAUSAS DE INCENDIOS DE APARATOS SON FRUTO DE UN MANTENIMIENTO DEFICIENTE Y DE QUE NO SE MANTENGA EL ESPACIO SUFICIENTE ENTRE EL APARATO Y LOS MATERIALES COMBUSTIBLES. ES DE SUMA IMPORTANCIA QUE ESTE PRODUCTO SE USE EXCLUSIVAMENTE DE ACUERDO CON LAS INSTRUCCIONES SIGUIENTES.

PELIGROS Y ADVERTENCIAS

Lea y entienda todo el manual antes de intentar montar, manejar o instalar el producto. Esto le garantizará un disfrute completo y un funcionamiento sin problemas de su nueva barbacoa de gránulos de madera. También le recomendamos que conserve este manual para futuras consultas.

DEBE PONERSE EN CONTACTO CON LOS ENCARGADOS LOCALES DE SU VIVIENDA, EDIFICIO O DE LOS BOMBEROS, O AUTORIDAD COMPETENTE, PARA OBTENER LOS PERMISOS NECESARIOS, MISIÓN O INFORMACIÓN SOBRE CUALQUIER RESTRICCIÓN DE LA INSTALACIÓN, COMO LOS DE CUALQUIER BARBACOA QUE SE INSTALE EN UNA SUPERFICIE COMBUSTIBLE, REQUISITOS DE INSPECCIÓN O INCLUSO LA CAPACIDAD DE USO, DE SU ZONA.

1. Debe mantenerse una distancia mínima de 457 mm (18 pu.) entre los recipientes de combustible y los lados de la barbacoa, y de 457 mm (18 pu.) entre la parte posterior de la barbacoa y los recipientes de combustible. No instale el aparato en suelos combustibles o en suelos protegidos con superficies combustibles a menos que se obtengan los permisos y autorizaciones correspondientes de las autoridades competentes. No use este aparato en el interior, en áreas cerradas o no ventiladas, dentro de los hogares, vehículos, tiendas de campaña, garajes. Este aparato de gránulos de madera no debe colocarse debajo de techos o voladizos combustibles. Mantenga la barbacoa en un área libre de materiales combustibles, gasolina y otros vapores y líquidos inflamables.

SI LA GRASA PRENDE FUEGO, APAGUE LA BARBACOA Y DEJE CERRADA LA TAPA HASTA QUE SE EXTINGA EL FUEGO. DESENCHUFE EL CABLE DE ALIMENTACIÓN. NO ARROJE AGUA SOBRE LA UNIDAD. NO INTENTE SOFOCAR EL FUEGO. CONVIENE TENER A MANO UN EXTINTOR DE INCENDIOS MULTIUSOS (CLASE ABC). SI SE PRODUCE UN INCENDIO NO CONTROLADO, LLAME A LOS BOMBEROS.

ADVERTENCIA DE SOBRECALENTAMIENTO SI POR CUALQUIER MOTIVO EL ENCENDEDOR ELÉCTRICO FALLA O LA LLAMA DE LA PARRILLA SE APAGA MIENTRAS COCINA, COMPRUEBE EL ÁREA DEL QUEMADOR DE LA PARRILLA PARA ASEGURARSE DE QUE NO HAY PÉLETS SIN QUEMAR EN EL LA REJILLA DE QUEMADO ANTES DE VOLVER A ENCENDERLA. ENCENDER LA PARRILLA CON PÉLETS EN EL ÁREA DEL QUEMADOR PUEDE PROVOCAR UN SOBRECALENTAMIENTO Y, POSIBLEMENTE, UNA LLAMA SIN CONTROL.

2. Mantenga los cables de alimentación eléctrica y el combustible lejos de las superficies calientes. No use la barbacoa en condiciones de lluvia ni cerca de fuentes de agua.
3. Tras un período de almacenamiento, o de no uso, compruebe si hay alguna obstrucción en la rejilla del quemador, objetos extraños en la tolva y cualquier bloqueo de aire alrededor de la entrada del ventilador o chimenea. Limpie antes de usar. Se requiere un cuidado y mantenimiento periódico para prolongar la vida útil de la unidad. Si la barbacoa se guarda en el exterior durante la temporada de lluvias o de gran humedad, debe tomar precauciones para asegurarse de que no entre agua en la tolva. Si se mojan o exponen a una gran humedad, los gránulos de madera se hincharán y descompondrán, pudiendo llegar a atascar el sistema de alimentación. Desconecte siempre la fuente de alimentación antes de realizar cualquier servicio o mantenimiento.

NO MUEVA LA PARRILLA MIENTRAS ESTÉ EN USO O MIENTRAS SIGA CALIENTE. ANTES DE MOVER LA BARBACOA, ASEGÚRESE DE QUE ESTÉ FRÍA AL TACTO Y EL FUEGO SE HAYA EXTINGUIDO POR COMPLETO.

¡¡IMPORTANTE! APAGUE SIEMPRE EL APARATO Y PERMITA QUE SE EJECUTE EL CICLO DE APAGADO. DESENCHUFE EL APARATO SOLO UNA VEZ QUE SE HAYA COMPLETADO EL CICLO DE APAGADO Y/O ANTES DE LIMPIARLO. EL INCUMPLIMIENTO DE ESTA ADVERTENCIA PUEDE CAUSAR DAÑOS, LESIONES GRAVES, INCENDIOS, DESCARGAS ELÉCTRICAS O LA MUERTE.

4. Se recomienda usar guantes para barbacoa resistentes al calor cuando manipule la barbacoa. No use accesorios que no estén indicados de manera específica para este aparato. No coloque una tapa de barbacoa ni nada que sea inflamable en el espacio de almacenamiento debajo de la barbacoa.

- Para evitar que los dedos, la ropa u otros objetos entren en contacto con el alimentador de espiral, el aparato está equipado con una pantalla metálica de seguridad, montada en el interior de la tolva. Esta pantalla no debe retirarse a menos que así lo indique el departamento de Atención al cliente o un distribuidor autorizado.

ESTE APARATO NO ESTÁ RECOMENDADO PARA MENORES, PERSONAS CON CAPACIDADES FÍSICAS, SENSORIALES O MENTALES LIMITADAS, O QUE CAREZCAN DE EXPERIENCIA O CONOCIMIENTOS, A MENOS QUE ESTÉN BAJO LA SUPERVISIÓN O INSTRUCCIÓN DIRECTA DE UNA PERSONA RESPONSABLE DE SU SEGURIDAD.

- Algunos elementos de la barbacoa pueden estar muy calientes y producir lesiones graves. Mantenga alejados a los niños pequeños y a las mascotas mientras se usa.
- No agrande los orificios del sistema de ignición ni los fosos del quemador. El incumplimiento de esta advertencia puede dar lugar a peligro de incendio y lesiones corporales, y anulará la garantía.
- El producto puede presentar bordes afilados o puntas. El contacto puede producir lesiones. Manipúlelo con cuidado.
- Retirez les casseroles et les poêles lorsque l'appareil est laissé sans surveillance, afin de réduire le risque d'incendie.

ELIMINACIÓN DE LAS CENIZAS

Las cenizas se deben colocar en un contenedor metálico con tapa hermética. El contenedor de cenizas cerrado debe colocarse en una superficie no combustible o en el suelo, alejado de todos los materiales combustibles, hasta su eliminación definitiva. Si va a eliminar las cenizas enterrándolas o dispersándolas de forma local, deben conservarse en un recipiente cerrado hasta que todas las cenizas se hayan enfriado por completo.

COMBUSTIBLE DE GRÁNULOS DE MADERA

Este aparato de cocina de gránulos está diseñado y aprobado solo para combustibles de gránulos de madera completamente naturales. Cualquier otro tipo de combustible que se use en este aparato anulará la garantía y los anuncios de seguridad. Debe usar únicamente gránulos de madera completamente naturales, diseñados para parrillas de barbacoas para gránulos. No use combustible con aditivos. Les granulés de bois sont très sensibles à l'humidité et doivent toujours être stockés au sein d'un récipient hermétique. Si vous stockez votre gril, sans l'utiliser, pendant une période prolongée, nous vous recommandons de retirer tous les granulés de la trémie et de la vis sans fin de votre gril, afin d'éviter les bourrages. El valor calorífico medio del combustible de pélets es de 18,6-20,4 MJ/kg (8000-8770 Btu/lb), cenizas de <1%.

NO USE ALCOHOL, PETRÓLEO, GASOLINA, LÍQUIDO INFLAMABLE NI QUEROSENO PARA ENCENDER O REAVIVAR UN FUEGO EN LA BARBACOA. MANTENGA ESE TIPO DE LÍQUIDOS ALEJADOS DEL APARATO CUANDO LO ESTÉ USANDO.

En la fecha de impresión, no hay normas del sector para los gránulos de madera para barbacoas, si bien casi todos los fabricantes de gránulos usan las mismas normas para la fabricación de gránulos de madera de uso doméstico. Encontrará más información en www.pelletheat.org o Pellet Fuel Institute.

CREOSOTA

La creosota, u hollín, es una sustancia similar al alquitrán. Al quemarse produce un humo negro con un residuo también de color negro. El hollín o la creosota se forma cuando el aparato se usa de forma incorrecta, como por ejemplo, si el ventilador de combustión está bloqueado, no se limpia ni mantiene el área del quemador o la combustión aire/combustible es deficiente.

Es peligroso manipular este aparato si las llamas se oscurecen, despiden hollín o si el foso del quemador contiene demasiados gránulos. Cuando se enciende, la creosota produce un fuego muy caliente y descontrolado, similar al fuego por grasa. Si esto ocurre, APAGUE la unidad, déjela enfriar por completo e inspecciónela para comprobar su mantenimiento y limpieza. Normalmente se acumula a lo largo de las áreas de extracción.

Si se ha formado creosota dentro de la unidad, caliente la unidad a baja temperatura, apáguela y, a continuación, limpie cualquier formación con un paño. Al igual que el alquitrán, su limpieza resulta mucho más fácil en caliente ya que se vuelve líquida.

MONÓXIDO DE CARBONO (EL "ASESINO SILENCIOSO")

El monóxido de carbono es un gas incoloro, inodoro, insípido que se produce al quemar gas, madera, propano, carbón u otro combustible. El monóxido de carbono reduce la capacidad de la sangre de transportar oxígeno. Un bajo nivel de oxígeno en sangre puede producir dolor de cabeza, mareos, náuseas, vómitos, soñolencia, confusión, pérdida de conocimiento o muerte. Siga estas pautas para impedir que usted, su familia u otras personas resulten intoxicadas por este gas incoloro e inodoro:

- Consulte con un médico si usted u otras personas experimentan síntomas parecidos a los de un catarro o gripe mientras cocina o se encuentra cerca del aparato. La intoxicación por monóxido de carbono, que puede confundirse fácilmente con un catarro o la gripe, frecuentemente se detecta demasiado tarde.
- El consumo de alcohol y el uso de fármacos incrementa los efectos de la intoxicación por monóxido de carbono.

El monóxido de carbono resulta especialmente tóxico para la madre y su hijo/a durante el embarazo, bebés pequeños, personas mayores, fumadores y personas con problemas del sistema sanguíneo o circulatorio, como anemia o enfermedad cardíaca.



ANUNCIOS DE SEGURIDAD

De acuerdo con los procedimientos y especificaciones de la Categoría 2728A-2019 de "aparatos de cocina con pellas combustibles" y ULC/ORD-C2728-19 y la CSA canadiense C22.2 #3 "para características eléctricas de equipos de quema de combustible". Los aparatos de cocina con pellas Louisiana Grills® han sido probados de manera independiente y registrados por CSA (un laboratorio de pruebas acreditado) de acuerdo con las normas UL, ULC y CSA.

PRECAUCIÓN: SE ADVIERTE AL USUARIO QUE LOS CAMBIOS O MODIFICACIONES NO APROBADOS EXPRESAMENTE POR LA PARTE RESPONSABLE DEL CUMPLIMIENTO PODRÍAN ANULAR LA AUTORIDAD DEL USUARIO PARA OPERAR EL EQUIPO.

La palabra Bluetooth® y su logotipo son marcas comerciales registradas propiedad de Bluetooth SIG, Inc. y el uso de dichas marcas por parte de Louisiana Grills® se efectúa bajo licencia. Otras marcas y nombres comerciales pertenecen a sus respectivos propietarios.



AVISO DE COPYRIGHT

Copyright 2022. Todos los derechos reservados. Ninguna parte de este manual podrá copiarse, transmitirse, transcribirse, almacenarse en un sistema de recuperación, de ninguna forma ni por cualquier medio sin la autorización expresa por escrito de:

DANSONS

3411 North 5th Avenue, Suite 500,
Phoenix, AZ, USA 85013

ATENCIÓN AL CLIENTE

EE.UU : (480) 923-9632
Canada : 1-877-942-2246
www.louisiana-grills.com

EMPEZAR CON SEGURIDAD

Asegúrese de conocer y comprender los conceptos básicos de un uso seguro.

INFORMACIÓN DE SEGURIDAD 54

USAR LA PARRILLA COMO UN PROFESIONAL

Cada barbacoa es un mundo. Siga nuestros consejos sobre las prácticas recomendadas para usar la barbacoa, para que le saque siempre el máximo partido..

ENTORNO DE LA BARBACOA 58

TEMPERATURAS DE COCCIÓN 59

FLUJO DE AIRE Y SISTEMA DE ALIMENTACIÓN 59

ABC DEL PANEL DE CONTROL 60

FUNCIONES DEL TABLERO DE CONTROL 62

CONECTARSE A LA APLICACIÓN SMOKE IT® 64

PRIMER USO, QUEMADO 64

PROCEDIMIENTO DE ARRANQUE 64

PROCEDIMIENTO DE APAGADO 64

LINEAMIENTOS PARA COCINAR 65

CONSEJOS Y TÉCNICAS 67

CUIDADO DE LA PARRILLA

El mantenimiento y el rendimiento van de la mano. Si se ocupa de mantener la barbacoa, le ofrecerá un gran rendimiento durante años.

CUIDADO Y MANTENIMIENTO 67

ATENCIÓN AL CLIENTE

Si le surgen problemas, es el primer lugar al que debe acudir para encontrar las respuestas que busca.

RESOLUCIÓN DE PROBLEMAS 69

COMPONENTES ELÉCTRICOS 71

PIEZAS DE REPUESTO 72

GARANTÍA 76

PONERSE A COCINAR

Conozca la versatilidad de la barbacoa. Estas recetas, sencillas y atemporales, requieren poco esfuerzo y brindan una gran recompens.

RECETAS 77

ENTORNO DE LA BARBACOA

Con el estilo de vida actual, en el cual nos esforzamos por comer alimentos saludables y nutritivos, un factor para tener en cuenta es la importancia de reducir el consumo de grasas. Una de las mejores maneras de reducir el consumo de grasa es usar un método de cocción con poca grasa, como asar. Dado que una barbacoa de gránulos usa gránulos de madera natural, la carne adquiere un aroma a madera que reduce la necesidad de añadir condimentos con alto contenido de azúcar.

DÓNDE INSTALAR LA BARBACOA

Como en todos los aparatos de uso exterior, las condiciones meteorológicas juegan un papel importante en el funcionamiento de la barbacoa y el tiempo de cocción necesario para que las comidas salgan perfectas.

Todas las unidades de Louisiana Grills® mantienen una separación mínima de 457 mm (18 pulgadas) de las instalaciones de combustible y esa separación debe respetarse mientras la parrilla esté en funcionamiento. Para poder ayudarle eficazmente a conseguir un resultado correcto de temperatura, a mantener la retención de calor y un tiempo de recuperación del calor cuando se abre la tapa, recomendamos que resguarde la unidad del viento. Además, si ajusta la posición de la parrilla haciendo un cuarto de giro (apartando los orificios [respiraderos] de escape del viento), mejorarán el control y el resultado de la temperatura.

COCINAR CUANDO HACE FRÍO

Aunque fuera haga cada vez más frío, iesto no supone el fin de la temporada de barbacoas! El aire frío y el aroma delicioso de los alimentos ahumados ayudan a curar la melancolía invernal. Siga estas sugerencias para disfrutar de su barbacoa incluso en los meses más fríos:

- Si no consigue ahumar a bajas temperaturas, aumente un poco la temperatura para conseguir los mismos resultados.
- Organícese: tenga preparado todo lo necesario en la cocina antes de salir a cocinar en el exterior. Durante el invierno, traslade la barbacoa a una zona alejada del viento y del frío directo. Compruebe los reglamentos locales sobre la proximidad que debe existir entre la barbacoa y su vivienda u otras estructuras. Coloque todo lo necesario en una bandeja, abrigúese y ¡a cocinar!
- Para saber la temperatura que hace fuera, coloque un termómetro para exteriores cerca del área de cocina. Lleve un registro de lo que cocina, la temperatura exterior y el tiempo de cocción. Le servirá de ayuda la próxima vez que tenga que decidir qué va a cocinar y le permitirá saber cuánto va a tardar.
- A muy bajas temperaturas, incremente en el tiempo de precalentamiento 20 minutos como mínimo.
- Evite levantar la tapa más de lo necesario. Las ráfagas de aire frío pueden enfriar por completo la temperatura de la barbacoa. Sea flexible con la hora de servir la comida; añada tiempo de cocción cada vez que abra la tapa.
- Caliente una fuente o tapa para mantener la temperatura de la comida hasta que vuelva al interior de la casa.
- Los alimentos perfectos para cocinar en invierno son aquellos que apenas requieren atención, como asados, pollos enteros, costillas y pavo. Facilite aún más la preparación de sus platos añadiendo guarniciones sencillas como verduras y patatas.

COCINAR CUANDO HACE CALOR

Cuando empieza a hacer calor, se acorta el tiempo de cocción. Siga estas sugerencias para disfrutar de su barbacoa incluso en los meses más calurosos:

- Reduzca las temperaturas de cocción. Le ayudará a evitar llamadas imprevistas.
- Use un termómetro para carnes para conocer la temperatura interna de los alimentos. Le ayudará a prevenir que la carne se cocine demasiado y se seque.
- Incluso cuando hace calor, es mejor cocinar con la tapa de la barbacoa cerrada.
- Para mantener calientes los alimentos, envuélvalos en papel de aluminio y colóquelos en una nevera tipo camping aislada. Rellene los huecos alrededor del papel aluminio con papel de periódico y la comida se mantendrá caliente de 3 a 4 horas.

TEMPERATURAS DE COCCIÓN

La temperatura que se lee en el tablero de control puede no coincidir exactamente con el termómetro. Todas las temperaturas que figuran a continuación son aproximadas y les afectan los factores siguientes: temperatura ambiente exterior, cantidad y dirección del viento, calidad del combustible de gránulos utilizado, que se abra o no la tapa y cantidad de alimentos que se cocinan.

TEMPERATURA ALTA (205–315°C / 401–600°F)

Este rango es útil para marcar la carne y asar con calor alto. Use en conjunto con la rejilla de flama para cocinar a fuego directo o indirecto. Con la rejilla de flama abierta, se usa fuego directo para crear esos bistecs "azules", así como verduras cocinadas ligeramente, pan de ajo tostado, o bombones! Cuando la rejilla de flama está cerrada, el aire circula alrededor del barril, generando calor de convección. Las temperaturas altas también se usan para precalentar su parrilla, limpiar las parrillas de cocción con calor, y para lograr un calor elevado en condiciones de clima extremadamente frío.

TEMPERATURA MEDIA (135–180°C / 275–356°F)

Este rango es el mejor para hornear, asar y dar el toque final a ese plato ahumado a fuego lento. Cocinar a estas temperaturas reducirá mucho la probabilidad de que la grasa genere llamaradas. Asegúrese de que la guía del asador de fuego esté en posición cerrada, cubriendo las aperturas ranuradas. Un rango perfecto para cocinar alimentos envueltos en beicon o cuando se busca versatilidad con control.

TEMPERATURA BAJA (82–125°C / 180–257°F)

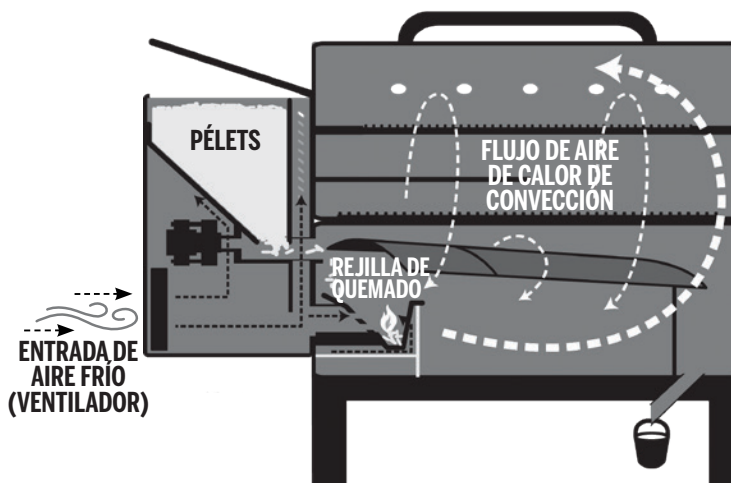
Este rango se usa para asar a fuego lento, potenciar el sabor ahumado y mantener la comida caliente. Potencie el sabor ahumado y haga que la carne resulte más jugosa prolongando el tiempo de cocción a más baja temperatura (también se conoce como cocción a fuego lento). Muy recomendada para el gran pavo del Día de Acción de Gracias, el jugoso jamón de Pascua o las celebraciones navideñas. El ahumado es una variación de la auténtica barbacoa y es la principal ventaja de cocinar en una barbacoa de gránulos de madera.

La técnica de ahumado en caliente es óptima para ocasiones que requieren tiempos de cocción más prolongados, como para cortes grandes de carne, pescado o aves.

CONSEJO: PARA POTENCIAR ESE SABOR SALADO, CAMBIE AL RANGO DE BAJAS TEMPERATURAS PARA AHUMAR INMEDIATAMENTE DESPUÉS DE COLOCAR LOS ALIMENTOS EN LA BARBACOA. ASÍ EL HUMO PODRÁ PENETRAR LA CARNE.

La clave está en experimentar con el tiempo de ahumado, antes de que los alimentos estén cocinados. Algunos chefs especializados en cocinar al aire libre prefieren ahumar al final de una cocción y así la comida se mantiene caliente hasta el momento de servirla. ¡La práctica hace al maestro!

FLUJO DE AIRE Y SISTEMA DE ALIMENTACIÓN



La esencia de la parrilla está en la relación entre el flujo de aire de convección forzada con ventilador y la funcionalidad del sistema de alimentación helicoidal. El ventilador de combustión/refrigeración impulsa aire por el sistema, lo que permite que el aire caliente del encendedor prenda los pélets y se inflame en la rejilla de quemado. El sistema de alimentación helicoidal seguirá realizando el ciclo de apagado y encendido, alimentando con pélets la rejilla de quemado.

Para garantizar que no se atasquen los orificios de aire de combustión (flujo de aire) de la rejilla de quemado, es esencial realizar un mantenimiento y una limpieza adecuados de esta área. Si la parrilla no alcanza la temperatura deseada, compruebe que los orificios de la rejilla de quemado están despejados.

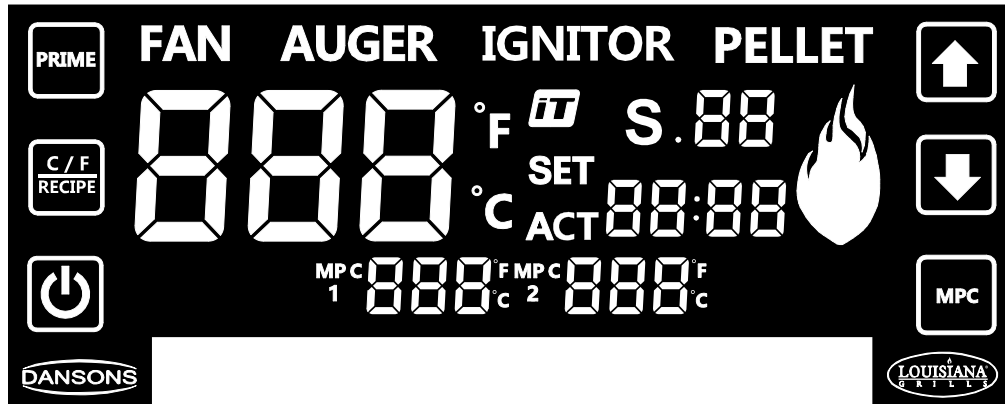
CONSEJO: LA PARRILLA PUEDE FUNCIONAR DE FORMA EFICIENTE DURANTE MUCHO TIEMPO SIEMPRE QUE ESTÉ SECA Y HAYA COMBUSTIBLE SUFICIENTE Y FLUJO DE AIRE ADECUADO, Y LOS COMPONENTES PARA COCINAR ESTÉN LIMPIOS..

El diseño exclusivo del sistema de flujo de aire de Louisiana Grills® permite redirigir la mayoría de la ceniza volátil a la parte inferior del tambor, mientras que dirige el calor de convección forzada con ventilador para que circule alrededor del tambor principal. Este tipo de flujo de aire permite que se utilicen pélets de diferente calidad, al tiempo que reduce la probabilidad de obstrucciones y atascos de combustible en el sistema de alimentación helicoidal.

ABC DEL PANEL DE CONTROL

Este tablero de control PID (proporcional-integrado-derivado) digital es prácticamente igual que los controles del horno de su cocina. Las principales ventajas son la capacidad de compensar automáticamente las diferentes condiciones ambientales y tipos de combustible.

IMPORTANTE: LA TEMPERATURA DEL INTERIOR DE CUALQUIER PARRILLA VARÍA MUCHO DE UNA UBICACIÓN A OTRA. INCLUSO LOS INSTRUMENTOS CALIBRADOS JUNTOS PUEDEN NO CONCORDAR ENTRE SÍ.



MANDO	DESCRIPCIÓN
	Pulse y mantenga pulsado este botón durante tres segundos para encender la unidad. Se iniciará el ciclo automático de encendido. Mantenga pulsado este botón durante tres segundos para apagar la unidad, entonces se activará el ciclo de enfriado automático. El botón parpadeará en blanco cuando se conecte a la corriente y quedará encendido cuando la unidad esté encendida.
	El icono de Smoke iT® indica que hay una conectividad wifi disponible. Cuando busque una conexión wifi o a través de Bluetooth®, el icono de Smoke iT® parpadeará. Una vez que la conexión wifi se haya establecido, el icono Smoke iT® se quedará encendido. Cuando esté conectado, podrá obtener información en tiempo real sobre la temperatura fijada y la real de la parrilla, el tiempo de cocción y las temperaturas de la sonda de carne. También le permite configurar los ajustes del tablero de control.
	Este botón tiene dos funciones: cambio de unidades de temperatura y etapas de la receta. <ol style="list-style-type: none"> 1. Presione rápidamente este botón para activar el cambio de unidades de temperatura y poder cambiar así la lectura de temperatura. Cambie entre grados Celsius (V) y Fahrenheit (°F), según su preferencia. El ajuste predeterminado es Fahrenheit. 2. Pulse y mantenga pulsado este botón durante tres segundos para acceder a los ajustes de receta.
	Pulse y mantenga pulsado el botón de cebado para activar una carga adicional de pélets a la rejilla de quemado. Se puede usar para añadir más combustible al fuego antes de abrir la tapa del tambor y lograr así una rápida recuperación del calor. También se puede usar durante el ahumado para potenciar ese sabor a ahumado limpio. Una función muy solicitada por los asadores de competición.
	Presione las flechas de ajuste para aumentar o disminuir la temperatura. La temperatura que se muestra en la lectura puede ajustarse en incrementos de 5 grados (°F). La temperatura puede establecerse desde tan solo a 82 °C/180 °F hasta 315 °C/600 °F.

MANDO	DESCRIPCIÓN
	<p>Esta lectura muestra tanto la temperatura real como la fijada. La temperatura real se muestra constantemente a no ser que se esté ajustando la temperatura. La temperatura real es la temperatura del interior del tambor principal. La lectura de temperatura real se toma mediante la sonda (sensor) desde el interior del tambor de la parrilla.</p> <p>Para mostrar la temperatura establecida, presione una flecha de ajuste cualquiera. La temperatura establecida está activada cuando la lectura parpadea. Para ajustar la temperatura establecida, presione las flechas de ajuste arriba y abajo según sea necesario. Una vez que se alcance la temperatura deseada, espere tres segundos (para confirmar la temperatura establecida), entonces la lectura volverá a mostrar la temperatura real.</p>
	Muestra las etapas de la receta. Pueden configurarse hasta nueve etapas de la receta. Ajuste la configuración de cada etapa utilizando el botones Receta y las flechas de ajuste. Pueden programarse hasta un total de nueve etapas.
	Muestra el tiempo establecido durante las etapas de la receta. Pulse el botón Receta para activar los ajustes de receta. Use las flechas de ajuste para ir cambiando de una etapa de receta a otra, el uno es el tiempo. Pulse de nuevo el botón Receta para confirmar los ajustes realizados.
	Pulse el botón MPC para activar los ajustes de temperatura de las sondas de carne. Pulse de nuevo el botón MPC para cambiar de una sonda de carne a otra.
	<p>Muestra la temperatura de las sondas de carne conectadas. La lectura de la sonda de carne se corresponderá con el puerto de conexión seleccionado. Los puertos de la sonda de carne se encuentran en la parte delantera del tablero de control. Cuando se presiona el botón MPC, la lectura de la sonda de carne seleccionada parpadeará y la letra 'C' (de MPC) se encenderá.</p> <p>Cuando no vaya a utilizarla, desconecte la sonda de carne del puerto de conexión. Compatible únicamente con sondas de carne de la marca Louisiana Grills®.</p>
	El icono de llama muestra visualmente la intensidad del fuego en la rejilla de quemado. A medida que la temperatura aumenta dentro del tambor principal, el color de la llama pasará de azul a rojo. El color también cambiará cuando ajuste la temperatura.
FAN	El icono de VENTILADOR es visible cuando el ventilador está en funcionamiento. Cuando el ventilador no funciona, el icono FAN parpadea. Consulte la sección sobre solución de problemas para obtener ayuda.
AUGER	El icono AUGER es visible cuando el sinfín está girando. Cuando la barrena no funciona, el icono AUGER parpadea. Consulte la sección sobre solución de problemas para obtener ayuda.
IGNITOR	El icono IGNITOR es visible cuando el encendedor está en uso. Cuando el encendedor no funciona, el ícono IGNITOR parpadea. Consulte la sección sobre solución de problemas para obtener ayuda.
PELLET	Cuando el icono PELLET está visible y parpadea, el fuego en la olla se ha apagado o la tolva puede estar vacía. Consulte la sección sobre solución de problemas para obtener ayuda.

FUNCIONES DEL TABLERO DE CONTROL

ESTABLECER LA TEMPERATURA DE LA PARRILLA

La sonda de la parrilla mide la temperatura interna del tambor principal. Cuando se haya ajustado la temperatura, la sonda de la parrilla leerá la temperatura real en el interior del tambor principal y se ajustará a la temperatura deseada.

IMPORTANTE: LA TEMPERATURA DE LA UNIDAD DEPENDE EN GRAN MEDIDA DEL CLIMA EXTERIOR, LA CALIDAD DE LOS PÉLETS USADOS, EL SABOR DE LOS PÉLETS Y LA CANTIDAD DE ALIMENTOS QUE SE ESTÉN COCINANDO.



ESTABLECER/AJUSTAR LA TEMPERATURA

Para ajustar la temperatura deseada de la parrilla, siga estos pasos:

1. Presione una flecha de ajuste cualquiera. Esto hará que parpadee la lectura de la temperatura establecida, para indicar que está activada.
2. Use las flechas de ajuste otra vez para ajustar la temperatura hasta alcanzar la deseada.
3. Una vez que se alcance la temperatura deseada, espere tres segundos (para confirmar la temperatura establecida) y la lectura volverá a mostrar la temperatura real.

USO DE LAS SONDAS DE CARNE

La sonda de carne mide la temperatura interna de la carne en la parrilla, de una forma parecida a un horno. Introduzca la sonda de carne de acero inoxidable en la parte más gruesa de la carne. La temperatura interna de la carne se muestra en la parte superior de la pantalla del panel de control. Conecte los adaptadores a los puertos de conexión de la sonda de carne y asegúrese de introducirlos completamente en el enchufe. Notará y escuchará cómo encajan.

NOTA: CUANDO INTRODUZCA LA SONDA EN LA CARNE, ASEGÚRESE DE QUE LOS CABLES Y LA SONDA DE CARNE NO ESTÉN EN CONTACTO DIRECTO CON EL FUEGO O UN CALOR EXCESIVO. ESTO PODRÍA DAÑAR LA SONDA DE CARNE. TIRE DEL CABLE SOBRENTE HACIA FUERA POR LOS ORIFICIOS DE EXTRACCIÓN TRASEROS DEL TAMBOR PRINCIPAL, DE LA PARTE SUPERIOR DEL TAMBOR PRINCIPAL (JUNTO A LA BISAGRA DE LA TAPA DE LA BARBACOA) O A TRAVÉS DEL ORIFICIO FRONTAL PRÓXIMO A LA TOLVA. CUANDO NO LA USE, DESCONÉCTELA DEL PUERTO DE CONEXIÓN DE LA SONDA DE CARNE Y COLÓQUELA EN LOS ORIFICIOS DEL ASA DE LA TOLVA PARA MANTENERLA PROTEGIDA Y LIMPIA.



ESTABLECER/AJUSTAR LA TEMPERATURA DE UNA SONDA DE CARNE

Para ajustar la temperatura deseada de una sonda de carne, siga estos pasos:

1. Pulse el botón MPC. Esto hará que la lectura de la sonda de carne seleccionada parpadee y se encienda la letra 'C' (de MPC) para indicar que está activada. Pulse de nuevo el botón MPC para cambiar a la sonda de carne para regularla.
2. La lectura de la temperatura establecida parpadea cuando está activada. Para ajustar la temperatura deseada de la sonda de carne seleccionada utilice las flechas de ajuste.
3. Una vez que se haya alcanzado la temperatura deseada, la lectura establecida parpadea durante cinco segundos para confirmar la temperatura establecida.

PROGRAMAR UNA RECETA

La función de receta permite al usuario programar instrucciones de preparación, conocidas como etapas de la receta, para que las siga el tablero de control y se ejecuten automáticamente. Estas instrucciones de cocción son una combinación entre la temperatura de cocción y el tiempo. Partiendo de la primera etapa de la receta (01), el tablero de control completará el ciclo de cada etapa para preparar la comida. Cuando se completen todas las etapas de la receta, el tablero de control cambiará automáticamente a una temperatura de 82 °C/180 °F para mantener la comida caliente hasta el momento de servirla. Pueden programarse hasta un total de nueve etapas.



CÓMO PROGRAMAR UNA ETAPA DE UNA RECETA

Para configurar una o varias etapas de una receta, siga estos pasos:

1. Pulse y mantenga pulsado el botón Receta durante tres segundos. El botón Receta empezará a parpadear para indicar que los ajustes de la receta se han activado. Esto también activará las etapas de la receta y se encenderá la letra 'S' para indicar que se ha activado.
 - Utilice las flechas de ajuste para seleccionar la etapa de la receta. Empiece por la primera etapa de la receta (01).
 - Cuando llegue a la etapa de la receta deseada, pulse el botón Receta para pasar al siguiente ajuste.
 2. Ajuste las horas. Las horas de la lectura de tiempo parpadearán, para mostrar que se han seleccionado.
 - Utilice las flechas de ajuste para seleccionar las horas deseadas.
 - Cuando llegue a las horas deseadas, pulse el botón Receta para pasar al siguiente ajuste.
 3. Ajuste los minutos. Los minutos de la lectura de tiempo parpadearán, para mostrar que se han seleccionado.
 - Utilice las flechas de ajuste para seleccionar los minutos deseados.
 - Cuando llegue a los minutos deseados, pulse el botón Receta para pasar al siguiente ajuste.
 4. Ajuste la temperatura de cocción. La lectura de la temperatura de cocción parpadeará, para mostrar que se ha seleccionado.
 - Utilice las flechas de ajuste para seleccionar la temperatura deseada.
 - Cuando llegue a la temperatura de cocción deseada, pulse y mantenga pulsado el botón Receta para fijar todos los ajustes de la receta para esa etapa. La etapa de la receta mostrará luego 'CL'.
 - Para establecer otra etapa de la receta, pulse rápidamente el botón Receta para seleccionar otra etapa, de este modo, programará una comida con una receta de varias etapas. Repita lo pasos anteriores tantas veces como lo desee.
- O bien,
- presione y mantenga presionado el botón Receta una segunda vez para salir de los ajustes y comenzar a elaborar la receta. El botón Receta dejará de parpadear.

NOTA: LAS ETAPAS DE LA RECETA SE RESTABLECERÁN CUANDO SE APAGUE O DESCONECTE LA UNIDAD.

CONECTARSE A LA APLICACIÓN SMOKE IT®

Siga estas instrucciones sobre cómo conectar su parrilla a la aplicación Smoke iT® con su dispositivo Android™ o iOS®. La aplicación le permitirá controlar y monitorear las temperaturas de su parrilla y sonda de carne desde su dispositivo móvil. ¡Disfrute de los beneficios que ofrece la conectividad móvil Smoke IT®!

1. Descargue la aplicación Smoke iT®. Abra la aplicación y permita que Bluetooth® esté habilitado para la configuración. Los nuevos usuarios deberán crear una cuenta y seguir las instrucciones para iniciar sesión.
2. Si está dentro del alcance de Bluetooth® (9 m / 30 pies), la aplicación Smoke iT® detectará automáticamente su parrilla. Seleccione su modelo de parrilla. Si no ve su parrilla en la pantalla, asegúrese de que su unidad esté conectada a una fuente de alimentación y esté encendida.
3. Nombre su modelo de parrilla (por ejemplo, mi fumador) en la aplicación y seleccione "Conectar" en la parte inferior de la pantalla. Esto guardará su modelo de parrilla en el menú de dispositivos.
4. Desde el menú de dispositivos, haga clic en el modelo de parrilla para conectarse. Esto le mostrará la pantalla del tablero de control.
5. Haga clic en la opción de configuración (equipo) en la esquina superior derecha, ingrese sus credenciales de Wi-Fi, luego haga clic en la marca de verificación en la parte inferior de la pantalla para conectarse. Ahora los íconos de Bluetooth® y Wi-Fi (nubes) se mostrarán en el menú de dispositivos, mostrando que la parrilla está conectada.

MIENTRAS USA LA APLICACIÓN, LA PANTALLA BRILLARÁ CUANDO LA PARRILLA ESTÉ ACTIVA Y CONECTADA. SI LA PANTALLA O PARRILLA DE LA APLICACIÓN SE OSCURECE EN EL MENÚ DE DISPOSITIVOS, VERIFIQUE SU CONEXIÓN INALÁMBRICA O FUENTE DE ALIMENTACIÓN.

PRIMER USO, QUEMADO

Antes de cocinar en la parrilla por primera vez, es importante completar un quemado de la unidad. Encienda la unidad y utilícela a una temperatura de más de 180 °C/350 °F, con la tapa cerrada, durante 30 a 40 minutos para realizar un quemado en la unidad y eliminar cualquier cuerpo extraño.

PROCEDIMIENTO DE ARRANQUE

1. Conecte el cable de alimentación a una toma de corriente con conexión a tierra. Abra la tapa del tambor principal. Compruebe la rejilla de quemado para garantizar que no haya obstrucciones para un encendido correcto. Abra la tapa de la tolva. Asegúrese de que no haya objetos extraños en la tolva ni en el sistema de alimentación helicoidal. Llene la tolva con pélets secos de madera noble natural para barbacoas.
2. Con la tapa del tambor principal cerrada, pulse y mantenga pulsado el botón de encendido durante tres segundos. Esto activará el ciclo de encendido: el sistema de alimentación comenzará a girar, el ventilador se pondrá en marcha y el encendedor empezará a calentarse. La parrilla generará humo durante el ciclo de encendido. Los pélets se habrán encendido correctamente cuando el humo se haya despejado. El ciclo de encendido dura hasta que la unidad alcanza una temperatura mínima de 65 °C / 150 °F o cuando se consuma el tiempo de espera del encendedor (24 minutos).
3. Una vez que se disipe el humo pesado y blanco, el ciclo de encendido habrá concluido. Ajuste la temperatura deseada para empezar a asar.

PROCEDIMIENTO DE APAGADO

1. Cuando termine de cocinar, mantenga cerrada la tapa del tambor principal y mantenga pulsado el botón de encendido durante tres segundos para apagar la unidad. Esto activará el ciclo de enfriado automático. El sistema de alimentación dejará de alimentar combustible, la llama se apagará y el ventilador seguirá funcionando hasta que se complete el ciclo de enfriado. Cuando se complete el ciclo de enfriado, el ventilador se apaga.

¡IMPORTANTE! UNA VEZ QUE SE COMPLETE EL CICLO DE APAGADO, DESCONECTE EL CABLE DE ALIMENTACIÓN.

LINEAMIENTOS PARA COCINAR

Ahumar y asar pueden dar diferentes resultados dependiendo del tiempo y la temperatura. Para obtener los mejores resultados lleve un registro de lo que cocinó, a qué temperatura, por cuánto tiempo, y los resultados. Ajuste a su gusto la próxima vez. La práctica hace al maestro.

El arte culinario del ahumado caliente significa un tiempo de cocción más largo, pero le da a sus carnes un sabor de madera más natural (y un muy codiciado "anillo de humo"). Las temperaturas de cocción más altas resultan en tiempos de cocción más cortos y menos sabor ahumado.

CONSEJO: PARA OBTENER LOS MEJORES RESULTADOS, DEJE QUE LAS CARNES REPOSEN DESPUÉS DE COCINARLAS. ESTO PERMITE QUE LOS JUGOS NATURALES REGRESEN AL INTERIOR DE LA CARNE, CON LO QUE TENDRÁ UN CORTE MUCHO MÁS JUGOSO Y SABROSO. LOS TIEMPOS DE REPOSO PUEDEN SER DE 3 MINUTOS HASTA 60 MINUTOS, DEPENDIENDO DEL TAMAÑO DE LA PROTEÍNA.

ESTILO DE COCINA

AHUMADO CALIENTE (Muy bajo)	COCIDO (Bajo)	HORNEADO (Medio)	ASADO/HORNEADO (Medio/Alto)	MARCADO (Alto)
93-135°C / 199 - 275°F	135-162°C / 275-323°F	162-190°C / 323-374°F	190-232°C / 374-449°F	232-315°C / 449-600°F

AVES	TAMAÑO	UN CUARTO 54°C / 130°F	MEDIO 60°C / 140°F	BIEN COCIDO 77°C / 170°F
Pavo (<i>entero</i>)	4.5-5.0 kg / 10-11 lbs. 5.3-6.4 kg / 12-14 lbs. 6.8-7.7 kg / 15-17 lbs. 8.2-10.0 kg / 18-22 lbs. 10.4-11.3 kg / 23-25 lbs.			Asar de 90 a 120 minutos Asar de 110 a 140 minutos Asar de 130 a 160 minutos Asar de 140 a 170 minutos Asar de 150 a 180 minutos
Pollo (<i>entero</i>)	1.36-2.26 kg / 3-5 lbs.			Asar de 1 a 1.5 horas
Muslos, pechugas	0.45-0.86 kg / 1-1½ lbs.			Asar de 30 a 60 minutos
Aves de caza pequeñas	0.45-0.86 kg / 1-1½ lbs.			Asar de 30 a 45 minutos
Pato	1.36-2.26 kg / 3-5 lbs.			Asar o cocer de 2 a 2.5 horas

CERDO	TAMAÑO	PRECOCIDO PARA RECALENTAR 60°C / 140°F	MEDIO 66°C / 150°F	BIEN COCIDO 71°C / 160°F
Jamón (<i>Porción bien cocida y sin hueso, ahumado para picnic entero y con hueso</i>)	2.5 cm / 1 pulg. 1.36-1.81 kg / 3-4 lbs. 1.81-2.72 kg / 4-6 lbs. 2.26-3.62 kg / 5-8 lbs. 4.53-5.44 kg / 10-12 lbs.	12 minutos 50 minutos a 1 hora 1 a 2 horas 1 a 2½ horas 2 a 2¾ horas		
Asado de lomo	1.36-1.81 kg / 3-4 lbs.		1 a 2 horas	2 a 3 horas
Corona de costillas asada	1.81-2.26 kg / 4-5 lbs.		1 ½ a 2 horas	2 a 3 horas
Chuleta (<i>lomo, costillas</i>)	1.9-2.5 cm / ¾ - 1 pulg. 3.1-3.9 cm / 1¼ - 1½ pulg.		10 a 12 minutos 14 a 18 minutos	
Lomo	1.9-2.5 cm / ¾ - 1 pulg.		20 a 30 minutos	30 a 45 minutos
Asado de lomo, sin huesos	1.36-2.26 kg / 3-5 lbs.		1¼ a 1¾ horas	1¾ a 2½ horas
Boston Butt (<i>hombro de puerco</i>)	3.62-4.53 kg / 8-10 lbs.			93 - 98°C / 200 - 210°F Temperatura interior

RES	TAMAÑO	CALOR	UN CUARTO 54°C / 130°F	MEDIO 60°C / 140°F	BIEN COCIDO 65°C / 150°F
Bistec (<i>New York, Porterhouse, Rib-eye, Sirloin, T-bone o lomo</i>)	1.9 cm / ¾ pulg. 2.5 cm / 1 pulg. 3.8 cm / 1½ pulg. 5 cm / 2 pulg.	Alto	Marcar 8 a 10 minutos Marcar 10 a 12 minutos Marcar 10 minutos, asar 8 a 10 minutos Marcar 10 minutos, asar 10 a 14 minutos		
Falda de res	0.6 - 12.7 cm / ¼ - ½ pulg.	Alto	5 a 7 minutos		
Arrachera	0.45 - 0.86 kg / 1 - 1½ lbs., 1.9 cm / ¾ pulg.	Medio	Marcar 4 minutos, asar 8 a 10 minutos		
Kebab	Cubos de 2.5 - 3.8 cm / 1 - 1½ pulg.	Medio	Asar 10 a 12 minutos		
Tenderloin, entero	1.58 - 1.81 kg / 3½ - 4 lbs.	Alto/Medio	1 ½ a 2 horas		
Hamburguesa	1.9 cm / ¾ pulg.	Alto/Medio	Marcar 4 minutos, asar 4 a 6 minutos		
Asado de rib-eye, sin huesos	2.26 - 2.72 kg / 5 - 6 lbs.	Medio	1 ½ a 2 horas		
Asado de tri-tip	0.9 - 1.13 kg / 2 - 2½ lbs.	Alto/Medio	Marcar 10 minutos, asar 20 a 30 minutos		
Asado de costilla	5.44 - 6.35 kg / 12 - 14 lbs.	Medio	2 ½ a 2 ¾ horas		
Chuleta de ternera	2.5 cm / 1 pulg.	Medio	10 a 12 minutos		
Brisket	7.25 - 3.62 kg / 16 - 18 lbs.	Ahumado caliente	Asar hasta que la temperatura interna llegue a 91°C / 195°F		

CORDERO	TAMAÑO	UN CUARTO 54°C / 130°F	MEDIO 60°C / 140°F	BIEN COCIDO 71°C / 160°F
Asado (<i>fresco</i>)	2.26 - 2.72 kg / 5 - 6 lbs.		1 a 2 horas	
Corona de costillas asada	1.36 - 2.26 kg / 3-5 lbs.		1 a 1½ horas	1½ horas

MARISCO	TAMAÑO	UN CUARTO 54°C / 130°F	MEDIO 60°C / 140°F	BIEN COCIDO 82°C / 180°F
Pescado (<i>entero</i>)	0.5 kg / 1 lb. 0.9 - 1.1 kg / 2 - 2½ lbs. 1.4 kg / 3 lbs.			Asar 10 a 20 minutos Asar 20 a 30 minutos Asar 30 a 45 minutos
Pescado (<i>filetes</i>)	0.6-1.3 cm / ¼ - ½ pulg.			Asar 3 a 5 minutos, hasta que se desmenuce con facilidad
Cola de langosta	0.15 kg / 5 oz. 0.3 kg / 10 oz.			Asar 5 a 6 minutos Asar 10 a 12 minutos

CAZA	TAMAÑO	UN CUARTO 60°C / 140°F	MEDIO 71°C / 160°F	BIEN COCIDO 77°C / 170°F
Asado (<i>fresco</i>)	2.26-2.72 kg / 5-6 lbs.		1 a 1½ horas	1½ a 2 horas
Cortes grandes (<i>fresco</i>)	3.62-4.53 kg / 8-10 lbs.		1 horas	1½ horas

CONSEJOS Y TÉCNICAS

Siga estas prácticas sugerencias y técnicas que nos han hecho llegar propietarios de productos Louisiana Grills®, nuestros empleados y clientes como usted, para familiarizarse con la barbacoa:

SEGURIDAD ALIMENTARIA

- Mantenga limpios todos los elementos de cocina y la zona de cocina. Para la carne cocinada use fuentes y utensilios diferentes a los que haya usado para preparar o transportar la carne cruda a la barbacoa. De esa manera evitará la contaminación cruzada de bacterias. Use un utensilio distinto para cada adobo o salsa.
- Mantenga calientes los alimentos calientes (más de 60°C/140°F) y fríos los alimentos fríos (menos de 3°C/37°F).
- No guarde nunca el resto de un adobo para usar en otra ocasión. Si lo va a servir con la carne, asegúrese de que hierva antes de servirlo.
- Los alimentos cocinados no deben permanecer fuera a altas temperaturas durante más de una hora. No deje los alimentos calientes fuera de la nevera durante más de dos horas.
- Descongele y macere las carnes mediante refrigeración. No descongele carne a temperatura ambiente o en una encimera. Las bacterias pueden aumentar y multiplicarse rápidamente en los alimentos calientes y húmedos. Lávese bien las manos con agua jabonosa después de comenzar a preparar la comida y después de manipular carne, pescado y aves crudas.

PREPARACIÓN PARA COCINAR

- Prepárese o, dicho de otro modo, manos a la obra. Con esto nos referimos a estar preparados para la receta de cocina y disponer del combustible, los accesorios, utensilios y todos los ingredientes que necesite cerca de la barbacoa antes de empezar a cocinar. También conviene leer la receta completa, de principio a fin, antes de encender la barbacoa.
- Una alfombrilla para barbacoas también es muy práctica. Debido a los accidentes que se producen al cocinar alimentos y a las salpicaduras, una esterilla para barbacoas protegerá cualquier suelo, patio o plataforma de piedra contra posibles manchas de grasa o derramamientos accidentales.

CONSEJOS Y TÉCNICAS PARA COCINAR EN LA BARBACOA

- Para potenciar el sabor ahumado de la carne, cocine durante más tiempo a temperaturas más bajas (también se conoce como cocción a fuego lento). La carne cerrará sus fibras tras alcanzar una temperatura interna de 49°C/120°F. Rociar o humedecer la carne son dos buenas maneras de evitar que la carne se seque.
- Cuando chamusque la carne, mantenga la tapa cerrada. Use siempre un termómetro para carnes para conocer la temperatura interna de los alimentos que está cocinando. Ahumar alimentos con gránulos de madera noble hará que la carne y las aves tomen un color rosado. La franja rosada (después de cocinar) se conoce como anillo ahumado y es algo muypreciado por los chefs especializados en cocinar al aire libre.
- Las salsas con azúcar es mejor aplicarlas al final de la cocción para impedir fuegos y llamaradas inesperadas.
- Deje espacio libre entre los alimentos y las extremidades del tambor para conseguir una circulación adecuada del calor. Si hay muchos alimentos en la parrilla habrá que aumentar el tiempo de cocción.
- Use un juego de tenazas de mango largo para voltear la carne y una espátula para voltear hamburguesas y pescado. Con un utensilio perforador, como un tenedor, puede pinchar la carne para que salga su jugo.
- Los alimentos en cazuelas profundas necesitarán más tiempo de cocción que un molde para hornear poco profundo.
- Se recomienda colocar los alimentos cocinados en una fuente precalentada para mantenerlos calientes. A las carnes rojas, como chuletones y asados, les va bien dejarlos reposar varios minutos antes de servir. Permite que los jugos que el calor hizo salir a la superficie vuelvan al centro de la carne y les añadan sabor.

CUIDADO Y MANTENIMIENTO

Todas las unidades Louisiana Grills® le darán muchos años de delicioso servicio con un mínimo de limpieza. Siga estas indicaciones de mantenimiento y limpieza para dar servicio a su parrilla:

CONJUNTO DE TOLVA

- Las comprobaciones rápidas de las piezas garantizan que todos los componentes eléctricos de la tolva sigan funcionando correctamente. Una vez retirado el panel de acceso a la tolva (consulte el diagrama de cables eléctricos), confirme que el encendedor está libre de residuos u obstrucciones. Compruebe también que los cuatro tornillos están bien apretados y que mantienen el encendedor recto y centrado en su carcasa de acero inoxidable.
- Compruebe y limpie cualquier residuo de los respiraderos de entrada de aire para el ventilador, que se encuentran en la partes exteriores frontal y trasera de la tolva. Con cuidado, elimine con una bayeta la acumulación de grasa directamente de las aspas del ventilador. Así, se asegura una circulación de aire suficiente para el sistema de alimentación.

CARACTERÍSTICA DE LIMPIEZA DE LA TOLVA

La tolva incluye una característica de limpieza para facilitar la limpieza, así como la capacidad de eliminar los sabores por el combustible de pélets de madera. Para vaciar, siga estos pasos:

1. Localice la puerta de limpieza y el gancho de la puerta de la parte trasera de la tolva.
2. Gire el gancho de la puerta (en la parte superior) a la derecha para que se separe del pestillo de liberación. Coloque un cubo limpio y vacío bajo la puerta de limpieza y deje que baje la puerta.
3. Levante el pestillo de liberación para abrir la puerta de descarga, lo que permite vaciar los pélets de la tolva.
4. Utilice un cepillo de mano largo o una aspiradora para retirar el exceso de pélets, serrín y residuos, para limpiar del todo la pantalla de la tolva.

SONDAS

- Las arrugas o los pliegues en los cables de la sonda pueden dañar la pieza. Los cables deben enroscarse en un rollo grande y holgado.
- Aunque las sondas sean de acero inoxidable, no deben colocarse en el lavavajillas ni sumergirse en agua. El daño que el agua puede producir en los cables internos dará lugar a un cortocircuito de la sonda y a lecturas erróneas. Si una sonda está averiada debe sustituirse.

SUPERFICIES INTERNAS

- Se recomienda limpiar la rejilla de quemado después de cada pocos usos. Esto garantizará el encendido adecuado y evitará una acumulación persistente de residuos o ceniza en la rejilla de quemado.
- Con un cepillo de mango largo para limpiar parrillas, elimine los restos de comida de las rejillas para cocinar. La práctica recomendada es hacerlo mientras están aún calientes de un uso anterior. Los fuegos de grasa se producen cuando caen demasiados residuos sobre los componentes para cocinar de la barbacoa. Limpie el interior de la barbacoa con regularidad. Si la grasa prende fuego, mantenga cerrada la tapa de la barbacoa para extinguir el fuego. Si el fuego no se extingue rápidamente, retire con cuidado la comida, apague la barbacoa y cierre la tapa hasta que el fuego se haya extinguido por completo. Esparza un poco de bicarbonato sódico, si lo tiene a mano.
- Compruebe a menudo el recogegrasa y límpielo si es necesario. Tenga en cuenta el tipo de cocina que suele realizar.

IMPORTANTE: DADO EL CALOR INTENSO, NO CUBRA EL ASADOR DE FUEGO NI LAS SONDAS CON PAPEL ALUMINIO.

SUPERFICIES EXTERNAS

- Limpie la barbacoa después de cada uso. Use agua tibia jabonosa para reducir la grasa. No use limpiadores de horno, limpiadores abrasivos ni estropajos abrasivos en las superficies externas de la barbacoa. Ninguna de las superficies pintadas están cubiertas por la garantía, sino que forman parte del mantenimiento y conservación general. En el caso de rasguños de pintura, desgaste o desconchado del acabado, todas las superficies pintadas pueden retocarse con la pintura BBQ para altas temperaturas.
- Use una cubierta para una protección completa de la barbacoa. Un cubierta es la mejor protección contra los agentes contaminantes climáticos y exteriores. Cuando la unidad no se use o se almacene durante períodos prolongados, guárdela bajo techo en un garaje o cobertizo.

FRECUENCIA DE LIMPIEZA (USO NORMAL)

COMPONENTE	FRECUENCIA DE LIMPIEZA	MÉTODO DE LIMPIEZA
Base de la parrilla principal	Cada 5-6 usos de la barbacoa	Eliminar los residuos con un recogedor o aspiradora en seco o húmedo
Rejilla de quemado, depósito de residuos quemados	Cada 2-3 usos de la barbacoa	Eliminar los residuos con un recogedor o aspiradora en seco o húmedo
Rejillas para cocinar	Después de cada uso de la barbacoa	Queme el exceso, limpie la parrilla con un cepillo
Asador a la llama	Cada 5-6 usos de la barbacoa	Raspar la placa principal con guía, No lavar
Recoge grasas	15 días	Estropajo y agua jabonosa
Alimentador de espiral	Cuando se vacía la bolsa de gránulos	Deje que el alimentador de espiral expela el serrín hasta que se vacíe la tolva
Componentes eléctricos de la tolva	Una vez por año	Eliminar el panel de acceso, limpiar las aspas del ventilador con agua jabonosa
Respiraderos de escape de aire	Cada 5-6 usos de la barbacoa	Estropajo y agua jabonosa
Sondas	Cada 2-3 usos de la barbacoa	Estropajo y agua jabonosa

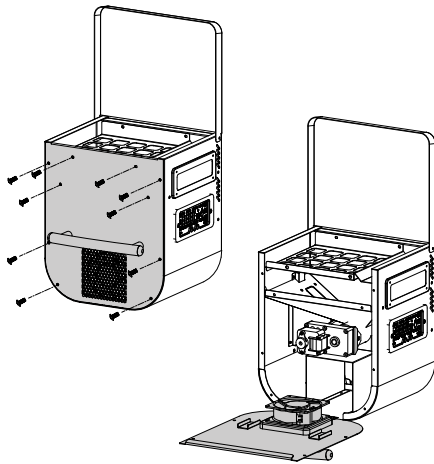
RESOLUCIÓN DE PROBLEMAS

Una limpieza adecuada, mantenimiento y el uso de combustible limpio, seco y de calidad impedirán que surjan los problemas de funcionamiento más comunes. Cuando la barbacoa Louisiana Grills® no funcione bien, o se use con menor frecuencia, las siguientes sugerencias de solución de problemas pueden resultar útiles. Consulte las preguntas frecuentes en www.louisiana-grills.com. También puede ponerse en contacto con su distribuidor local autorizado de Louisiana® o bien solicitar asistencia al servicio de Atención al cliente.

ADVERTENCIA: DESCONECTE SIEMPRE EL CABLE ELÉCTRICO ANTES DE ABRIR LA BARBACOA PARA CUALQUIER INSPECCIÓN O TAREA DE LIMPIEZA, MANTENIMIENTO O REPARACIÓN. ASEGÚRESE DE QUE LA BARBACOA SE HAYA ENFRIADO POR COMPLETO PARA EVITAR LESIONES.

PROBLEMA	POSIBLES CAUSAS	SOLUCIÓN
La luz de encendido no parpadea en el tablero de control	No conectada a una fuente de alimentación	Asegúrese de que la unidad esté conectada a una fuente de alimentación que funcione. Reinicie el disyuntor. Asegúrese de que la toma GFCI sea de 10 amperios como mínimo (véase el Diagrama de cableado eléctrico para consultar el acceso a los componentes eléctricos). Asegúrese de que todas las conexiones por cable estén firmemente conectadas y secas.
	Fusible quemado	Desconecte la unidad de la fuente de alimentación y retire el panel de acceso de la tolva (consulte el diagrama de cables eléctricos). Tire del tablero de control hacia fuera y compruebe si el fusible tiene un cable roto o si ese cable se ha ennegrecido. En caso afirmativo, es necesario cambiar manualmente el fusible.
	La toma GFCI se ha desconectado.	Extraiga el panel de acceso a la tolva (consulte el Diagrama de cableado eléctrico) y asegúrese de que todos los cables estén firmemente conectados y secos. Asegúrese de que la toma GFCI sea de 10 amperios como mínimo.
	Tablero de control defectuoso	Debe sustituirse el Tablero de control. Póngase en contacto con Atención al cliente para solicitar el recambio.
El fuego en la rejilla de quemado no prenderá	Rejilla de quemado	Compruebe que la rejilla de quemado está bien colocada. Siga las instrucciones de cuidado y mantenimiento para la acumulación de ceniza.
	El motor de alimentador de espiral está atascado	Apague la unidad manteniendo pulsado el botón de encendido y mantenga pulsado este botón durante tres segundos. Retire los componentes para cocinar del tambor principal. Pulse y mantenga pulsado el botón de encendido durante tres segundos para encender la unidad e inspeccione el sistema de alimentación helicoidal. Confirme visualmente que el alimentador helicoidal deja caer pélets en la rejilla de quemado. Si no funciona correctamente, llame al servicio de atención al cliente para recibir ayuda.
La lectura de temperatura real no se ajusta	La sonda de la parrilla está sucia	Siga las instrucciones de Cuidado y mantenimiento.
	La sonda de la parrilla está averiada	La sonda de la parrilla debe sustituirse. Póngase en contacto con el servicio de atención al cliente.
Llamaradas frecuentes	Temperatura de cocción	Pruebe cocinar a temperatura más baja. La grasa tiene un punto de inflamación. Mantenga la temperatura por debajo de 176°C/350°F cuando cocine alimentos muy grasos.
	Acumulación de grasa	Siga las instrucciones de Cuidado y mantenimiento.
	El asador de fuego está abierto	Cierre el asador de fuego para cocinar con llama indirecta.
La barbacoa despidе demasiado humo o humo descolorido	Acumulación de grasa	Siga las instrucciones de Cuidado y mantenimiento.
	Calidad de los gránulos de madera	Extraiga los gránulos de madera húmedos de la tolva. Siga las instrucciones de Cuidado y mantenimiento para limpiar. Sustituya por gránulos de madera secos.
	La rejilla de quemado está bloqueada	Retire la humedad y los pélets de la rejilla de quemado. Siga el procedimiento de preparación de la tolva.
	Circulación de aire insuficiente para el ventilador	Compruebe el ventilador. Asegúrese de que esté funcionando correctamente y que la entrada de aire no esté bloqueada. Siga las instrucciones de Cuidado y mantenimiento si está sucia.

La barbacoa no alcanza o no mantiene la temperatura estable	Flujo de aire insuficiente a través de la rejilla de quemado	Compruebe la colocación correcta de los componentes para cocinar. Compruebe que la rejilla de quemado está bien colocada. Siga las instrucciones de cuidado y mantenimiento para la acumulación de ceniza. Compruebe que la entrada de aire para el ventilador no está obstruida. Si no hay obstrucciones, retire el panel de acceso de la tolva (consulte el diagrama de cables eléctricos) y localice los cables del ventilador azules y blancos. Compruebe que la conexión es firme tirando suavemente de cada cable. Si está suelta, vuelva a presionar hacia el conector hasta que haga clic. Compruebe que las aspas del ventilador están limpias.
	Falta combustible, combustible de mala calidad, obstrucción en el sistema de alimentación	Compruebe si el nivel de combustible en la tolva es suficiente y reponga si es bajo. Si la calidad de los gránulos es mala, o si estos son demasiado largos, esto puede producir obstrucciones en el sistema de alimentación. Extraiga los gránulos y siga las instrucciones de Cuidado y mantenimiento.
	Sonda de temperatura	Compruebe el estado de la sonda de temperatura. Siga las instrucciones de Cuidado y mantenimiento si está sucia. Póngase en contacto con Atención al cliente para solicitar un recambio si está dañada.
Código de error Er1	La conexión de la sonda de la parrilla no es correcta	Compruebe si hay daños en la sonda de la parrilla. Siga las instrucciones de cuidado y mantenimiento si está sucia. Si parece que todo funciona bien, compruebe la conexión con el centro de control digital. Desconecte la unidad de la corriente. Retire el panel de acceso de la tolva (consulte el diagrama de cables eléctricos). Localice los cables blancos de la sonda de la parrilla. Desconecte los terminales planos y vuelva a conectarlos hasta que hagan clic. Vuelva a colocar el panel de acceso de la tolva.
Código de error ErH	La unidad se ha recalentado, posiblemente debido a fuego de grasa o exceso de combustible.	Desconecte la unidad de la corriente y deje que se enfríe. Siga las instrucciones de cuidado y mantenimiento. Retire las cenizas y los pélets sin quemar de la rejilla de quemado y de la parte inferior de la parrilla. Compruebe que la rejilla de quemado está bien colocada. Compruebe la colocación correcta de los componentes para cocinar. Tras el mantenimiento, conecte la unidad a la corriente. Pulse y mantenga pulsado el botón de encendido durante tres segundos para encender la unidad. Si el error sigue mostrándose, póngase en contacto con el servicio de atención al cliente.
El icono de FAN parpadeando	La conexión del ventilador no es correcta	Desconecte la unidad de la corriente. Retire el panel de acceso de la tolva (consulte el diagrama de cables eléctricos). Localice los cables azules y blancos del motor del ventilador. Compruebe si las aspas del ventilador presentan daños. Siga las instrucciones de cuidado y mantenimiento si está sucia. Desconecte los terminales planos y vuelva a conectarlos hasta que hagan clic. Vuelva a colocar el panel de acceso de la tolva. Si el error sigue mostrándose, póngase en contacto con el servicio de atención al cliente.
El icono de IGNITOR parpadeando	La conexión del encendedor no es correcta	Desconecte la unidad de la corriente. Retire el panel de acceso de la tolva (consulte el diagrama de cables eléctricos). Localice los cables rojos y blancos del motor del ventilador. Desconecte el conector Molex y vuelva a conectarlo hasta que haga clic. Vuelva a colocar el panel de acceso de la tolva. Si el error sigue mostrándose, póngase en contacto con el servicio de atención al cliente.
El icono de AUGER parpadeando	La conexión del motor del alimentador helicoidal no es correcta	Desconecte la unidad de la corriente. Retire el panel de acceso de la tolva (consulte el diagrama de cables eléctricos). Localice los cables blancos y amarillos del motor del alimentador helicoidal. Compruebe si hay daños en el motor del alimentador helicoidal y la abrazadera. Desconecte los terminales planos y vuelva a conectarlos hasta que hagan clic. Vuelva a colocar el panel de acceso de la tolva. Si el error sigue mostrándose, póngase en contacto con el servicio de atención al cliente.
El icono de PELLET parpadeando	Falta combustible, combustible de mala calidad, obstrucción en el sistema de alimentación	Compruebe si el nivel de combustible en la tolva es suficiente y reponga si es bajo. Si la calidad de los gránulos es mala, o si estos son demasiado largos, esto puede producir obstrucciones en el sistema de alimentación. Extraiga los gránulos y siga las instrucciones de Cuidado y mantenimiento.



COMPONENTES ELÉCTRICOS

El sistema del Tablero de control digital es una pieza de tecnología compleja y valiosa. Para proteger contra las subidas de tensión y los cortocircuitos, consulte el diagrama de cableado para asegurarse de que la fuente de alimentación sea suficiente para que la unidad funcione correctamente.

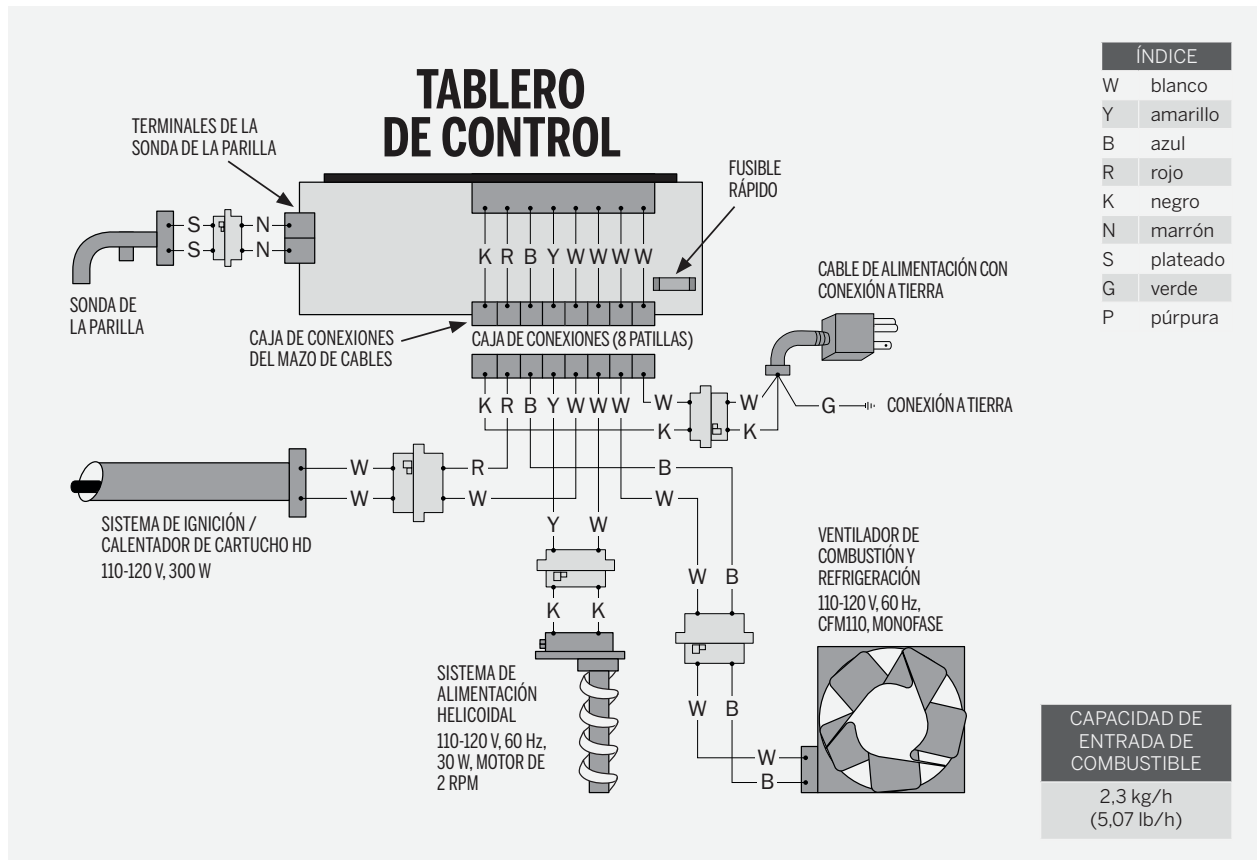
PANEL DE ACCESO DE LA TOLVA

Localice los diez tornillos del lateral de la tolva para acceder a los componentes eléctricos. Una vez retirados los tornillos, puede abrir el panel de acceso (tiene una bisagra inferior, por lo que quedará colgando).

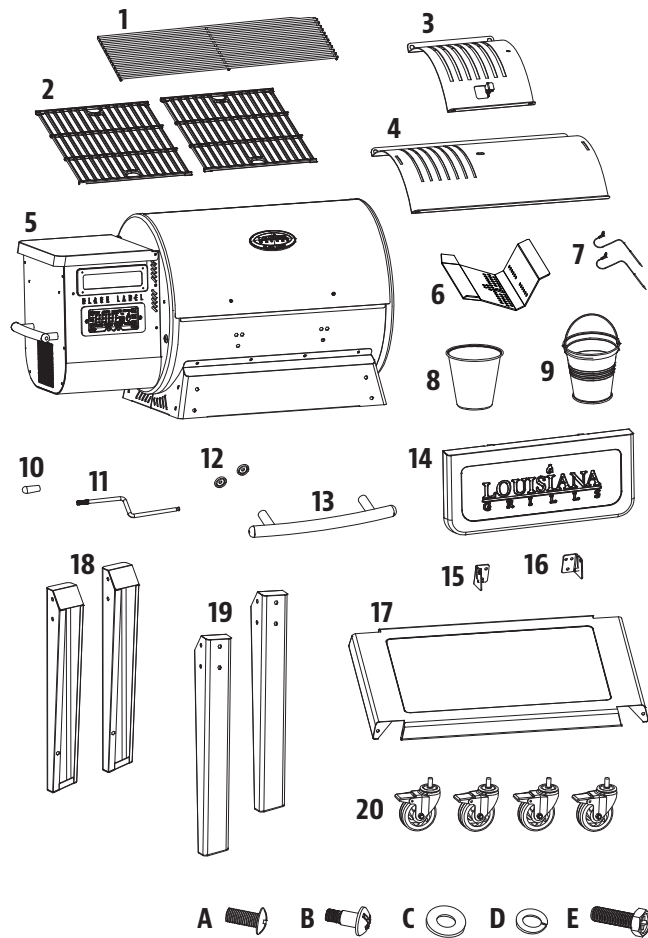
REQUISITOS ELÉCTRICOS

110-120 V, 60 Hz, 375 W, enchufe de 3 patillas con conexión a tierra

NOTA: los componentes eléctricos, que han superado las pruebas de seguridad y los servicios de certificación de producto, cumplen la tolerancia de prueba de $\pm 5-10$ por ciento.



PIEZAS DE REPUESTO



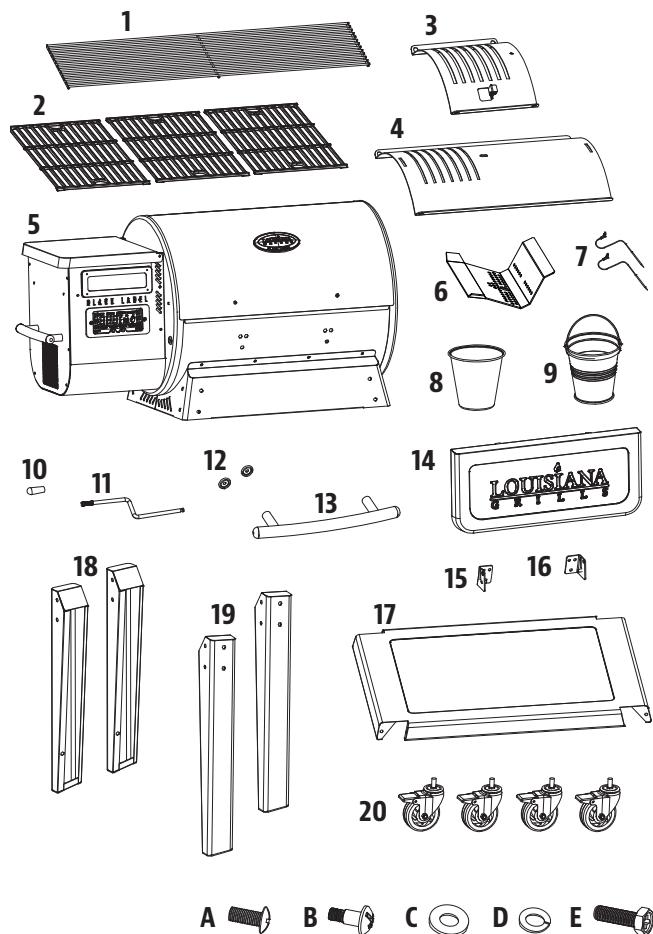
LG0800BL

NOTA: debido a que el producto está en desarrollo constante, las piezas están sujetas a cambios sin previo aviso.

N.º	DESCRIPCIÓN
1	Rejilla de cocción superior (x1)
2	Rejilla para cocinar (x2)
3	Guía del asador a la llama (x1)
4	Placa principal del asador a la llama (x1)
5	Conjunto de tambor principal/tolva (x1)
6	Rejilla de quemado (x1)
7	Sonda de carne (x2)
8	Bolsa para cubo de grasa (x1)
9	Cubo de grasa (x1)
10	Manija de la barra de ajuste del asador de fuego (x1)
11	Barra de ajuste del asador de fuego (x1)
12	Remate del asa de la tapa (x2)
13	Asa de la tapa (x1)
14	Estante delantero (x1)
15	Soporte del estante delantero / izquierdo (x1)
16	Soporte del estante delantero / derecho (x1)
17	Estante inferior (x1)
18	Pata de soporte A (x2)
19	Pata de soporte B (x2)
20	Rueda pivotante de cierre (x4)
A	Tornillo (x30)
B	Tornillo (x2)
C	Arandela (x32)
D	Arandela de retención (x32)
E	Tornillo (x2)

LG1000BL

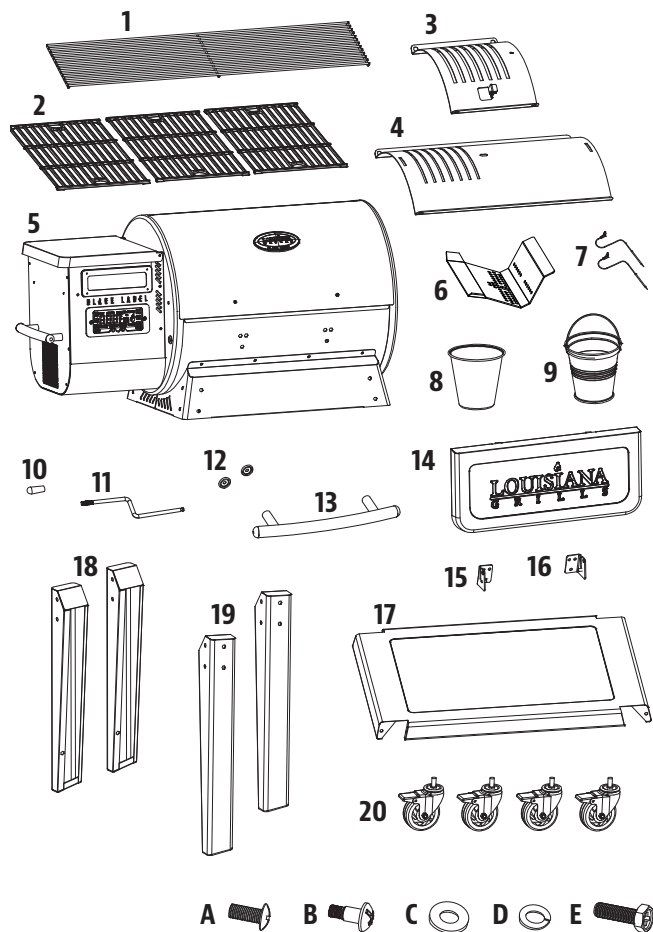
NOTA: debido a que el producto está en desarrollo constante, las piezas están sujetas a cambios sin previo aviso.



N.º	DESCRIPCIÓN
1	Rejilla de cocción superior (x1)
2	Rejilla para cocinar (x3)
3	Guía del asador a la llama (x1)
4	Placa principal del asador a la llama (x1)
5	Conjunto de tambor principal/tolva (x1)
6	Rejilla de quemado (x1)
7	Sonda de carne (x2)
8	Bolsa para cubo de grasa (x1)
9	Cubo de grasa (x1)
10	Manija de la barra de ajuste del asador de fuego (x1)
11	Barra de ajuste del asador de fuego (x1)
12	Remate del asa de la tapa (x2)
13	Asa de la tapa (x1)
14	Estante delantero (x1)
15	Soporte del estante delantero / izquierdo (x1)
16	Soporte del estante delantero / derecho (x1)
17	Estante inferior (x1)
18	Pata de soporte A (x2)
19	Pata de soporte B (x2)
20	Rueda pivotante de cierre (x4)
A	Tornillo (x30)
B	Tornillo (x2)
C	Arandela (x32)
D	Arandela de retención (x32)
E	Tornillo (x2)

LG1200BL

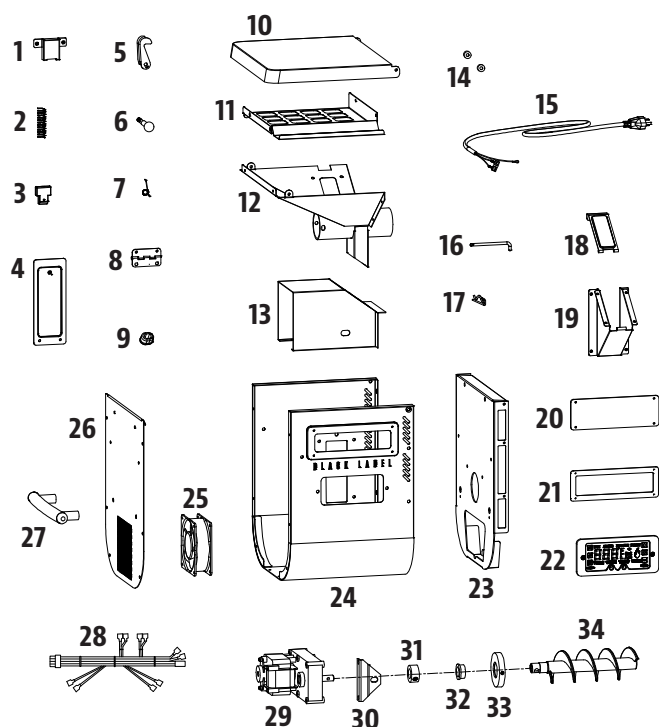
NOTA: debido a que el producto está en desarrollo constante, las piezas están sujetas a cambios sin previo aviso.



N.º	DESCRIPCIÓN
1	Rejilla de cocción superior (x1)
2	Rejilla para cocinar (x3)
3	Guía del asador a la llama (x1)
4	Placa principal del asador a la llama (x1)
5	Conjunto de tambor principal/tolva (x1)
6	Rejilla de quemado (x1)
7	Sonda de carne (x2)
8	Bolsa para cubo de grasa (x1)
9	Cubo de grasa (x1)
10	Manija de la barra de ajuste del asador de fuego (x1)
11	Barra de ajuste del asador de fuego (x1)
12	Remate del asa de la tapa (x2)
13	Asa de la tapa (x1)
14	Estante delantero (x1)
15	Soporte del estante delantero / izquierdo (x1)
16	Soporte del estante delantero / derecho (x1)
17	Estante inferior (x1)
18	Pata de soporte A (x2)
19	Pata de soporte B (x2)
20	Rueda pivotante de cierre (x4)
A	Tornillo (x30)
B	Tornillo (x2)
C	Arandela (x32)
D	Arandela de retención (x32)
E	Tornillo (x2)

TOLVA

NOTA: debido a que el producto está en desarrollo constante, las piezas están sujetas a cambios sin previo aviso.



N.º	DESCRIPCIÓN
1	Guía de bloqueo de limpieza de la tolva (x1)
2	Resorte de bloqueo de limpieza de la tolva (x1)
3	Caja receptora de pestillo de bloqueo de limpieza de la tolva (x1)
4	Puerta de limpieza de la tolva (x1)
5	Pestillo de bloqueo de limpieza de la tolva (x1)
6	Conector, perilla de limpieza de la tolva (x1)
7	Resorte de la puerta de limpieza de la tolva (x1)
8	Bisagra corta (x1)
9	Hebilla para cable de alimentación (x1)
10	Tapa de la tolva (x1)
11	Pantalla de seguridad de la tolva (x1)
12	Conjunto de cuerpo de tolva (x1)
13	Canal de flujo de aire (x1)
14	Arandelas de plástico (x2)
15	Cable de alimentación (x1)
16	Eje de limpieza de la tolva (x1)
17	Pin en forma de R (x1)
18	Marco de la puerta de limpieza de la tolva (x1)
19	Canal de derivación de limpieza de la tolva (x1)
20	Mirilla de la tolva (x1)
21	Marco de la mirilla de la tolva (x1)
22	Tablero de control (x1)
23	Panel delantero de la tolva (x1)
24	Carcasa de la tolva (x1)
25	Ventilador (x1)
26	Panel de acceso de la tolva (x1)
27	Asa lateral de la tolva (x1)
28	Mazo de cables (x1)
29	Motor del alimentador de espiral (x1)
30	Abrazadera de montaje del alimentador helicoidal (x1)
31	Collar de bloqueo (x1)
32	Casquillo de nylon (x1)
33	Tapa del extremo metálico (x1)
34	Alimentación helicoidal (x1)

GARANTÍA

CONDICIONES

Todas las barbacoas de gránulos de madera de Louisiana Grills®, fabricadas por Dansons, tienen una garantía limitada desde la fecha de venta del propietario original. La cobertura de la garantía comienza en la fecha de compra original y se exigirá un comprobante de la fecha de compra, o copia de la factura de venta original, para validar la garantía. Los clientes deberán hacerse cargo de los gastos de piezas, envíos y tramitación si no proporcionan prueba de la compra o bien después del vencimiento de la garantía..

Dansons ofrece cinco (5) años de garantía para defectos y fabricación en todas las piezas, y cinco (5) años para los componentes eléctricos. Dansons garantiza que la(s) piezas no contienen defectos de material ni de fabricación por la duración del uso y propiedad del comprador original. La garantía no cubre daños por desgaste, como rasguños, abolladuras, imperfecciones, desconchados o pequeñas grietas cosméticas. Estos cambios estéticos de la barbacoa no afectan su rendimiento. La reparación o sustitución de cualquier pieza no se extiende más allá de la garantía limitada de cinco (5) años desde la fecha de compra.

Durante la vigencia de la garantía, la obligación de Dansons se limitará a suministrar un recambio de los componentes defectuosos y/o averiados. Siempre y cuando esté dentro del período de garantía, Dansons no cobrará la reparación o sustitución de piezas devueltas, flete prepago, si Dansons considera que las piezas son defectuosas tras examinarlas. Dansons no será responsable de los gastos de transporte, costes de mano de obra o aranceles de exportación. Salvo en la medida de lo previsto en las presentes condiciones de garantía, la reparación o sustitución de piezas de la manera y durante el período de tiempo mencionado en el presente constituirá el cumplimiento de todas las obligaciones directas y derivadas de Dansons para con el cliente.

Dansons toma todas las precauciones necesarias para utilizar materiales que retrasen el óxido. Incluso con estas salvaguardias, diversas sustancias y condiciones fuera del control de Dansons pueden poner en peligro las capas de protección. Las altas temperaturas, una humedad excesiva, el cloro, los gases industriales, fertilizantes, pesticidas para césped y sal son algunas de las sustancias que pueden afectar las capas que cubren el metal. Por estos motivos, la garantía no cubre el óxido ni la corrosión, a menos que se produzca pérdida de integridad estructural en el componente de la barbacoa. En el caso de producirse alguno de los incidentes anteriores, consulte la sección de cuidado y mantenimiento para prolongar la vida útil de la unidad. Dansons recomienda el uso de una cubiertas para barbacoas cuando no se esté utilizando.

Esta garantía se basa en el uso y servicio doméstico normal de la barbacoa y ninguna cobertura de garantía limitada es válida para una barbacoa que se use en aplicaciones comerciales.

EXCEPCIONES

No hay garantía de rendimiento escrita o implícita para las barbacoas Louisiana Grills®, ya que el fabricante no tiene el control de la instalación, funcionamiento, limpieza, mantenimiento o el tipo de combustible empleado. Esta garantía no es válida ni Dansons asume la responsabilidad si el aparato no se ha instalado, manejado, limpiado y mantenido estrictamente de acuerdo con este manual del usuario. El uso de gas no descrito en este manual puede anular la garantía. La garantía no cubre daños o roturas debidas a uso indebido, manipulación incorrecta o modificaciones.

Ni Dansons ni el distribuidor autorizado de Louisiana Grills® acepta responsabilidad, jurídica o de otra índole, por el daño fortuito o consecuente de la propiedad o de las personas producido por el uso de este producto. Tanto si se realiza una reclamación contra Dansons basada en el incumplimiento de esta garantía o de cualquier otra clase de garantía expresa o implícita por ley, el fabricante en ningún caso será responsable de daños especiales, indirectos, consecuentes ni de ninguna otra índole por encima de la compra original de este producto. Todas las garantías del fabricante están contenidas en el presente y no se realizarán reclamaciones contra el fabricante por ninguna garantía o declaración.

Algunos estados y países no permiten la exclusión o la limitación de daños incidentales o consecuentes, o limitaciones de garantías implícitas, así que las limitaciones o exclusiones contenidas en la presente garantía limitada pueden no ser de aplicación para usted. Esta garantía limitada le otorga derechos legales específicos y es posible que le asistan otros derechos, que variarán de un estado a otro..

SERVICIO DE GARANTÍA

Póngase en contacto con su distribuidor de Louisiana Grills® más cercano para reparaciones o piezas de repuesto. Dansons exige una prueba de compra para establecer la reclamación de garantía; por lo tanto, conserve su resguardo o factura de ventas original para referencia futura. Encontrará el número de serie y modelo de la Louisiana Grills® en la tolva. Tome nota de los números que se indican a continuación ya que la etiqueta puede desgastarse o volverse ilegible.

 MODELO

 NÚMERO DE SERIE

 FECHA DE COMPRA

 DISTRIBUIDOR AUTORIZADO

PÓNGASE EN CONTACTO CON ATENCIÓN AL CLIENTE

SI TIENE CUALQUIER DUDA O PROBLEMA,
PÓNGASE EN CONTACTO CON LA ATENCIÓN AL CLIENTE.

WWW.LOUISIANA-GRILLS.COM

RECETAS

DIFICULTAD: FÁCIL

**MÉTODO DE COCCIÓN:
AHUMADO**

RACIONES: 8

**TIEMPO DE PREPARACIÓN:
10 MINUTES**

**TIEMPO DE COCCIÓN:
480 MINUTOS**

SABOR DEL PÉLET:

- NOGAL AMERICANO
- ROBLE
- MEZQUITE
- PACANA

DIFICULTAD: FÁCIL

**MÉTODO DE COCCIÓN:
AHUMADO**

RACIONES: 4

**TIEMPO DE PREPARACIÓN:
10 MINUTES**

**TIEMPO DE COCCIÓN:
315 MINUTOS**

SABOR DEL PÉLET:

- MEZCLA DE COMPETICIÓN
- NOGAL AMERICANO
- MEZQUITE

RECETA CLÁSICA DE PECHO DE TERNERA AHUMADO

Una receta clásica de pecho de ternera ahumado ha de ser fácil de seguir y debe utilizar ingredientes básicos. ¿Por qué? Porque es la carne la que debería ser el ingrediente estrella. Con esta receta, no es necesario complicar demasiado el proceso de preparación del pecho pues posee tanto sabor natural, que con un sencillo aliño lograremos una corteza crujiente excepcional.

INGREDIENTES:

1 pecho de ternera, 5,4-6,8 kg (12-15 lb)
Condimento para pecho y ternera de Louisiana Grills®

INSTRUCCIONES:

- Encienda la parrilla. Espere a que se encienda el fuego y, a continuación, ajuste la temperatura de la parrilla a 107 °C (225 °F). Mientras se calienta, recorte el exceso de grasa de la pieza dejando medio centímetro de grasa para que la carne se mantenga húmeda durante el largo proceso de cocción.
- Condíméntelo con sus especias favoritas. Coloque la carne en la parrilla con la parte de la grasa hacia arriba. Deje que se ahúme durante 8-10 horas o hasta que la temperatura interior alcance los 87 °C (190 °F).
- Retire la carne de la parrilla. Envuélvala en papel de carnicero y, a continuación, envuelva el paquete en una toalla. Déjelo reposar en una nevera, hasta una hora, para que se asienten los jugos.
- Corte la pieza en filetes en dirección contraria a las vetas y, ¡a disfrutar!

CONSEJO: PARA ACELERAR EL INTERVALO DE TEMPERATURA ESTABLE (EL PUNTO DURANTE LA COCCIÓN EN EL QUE LA TEMPERATURA INTERNA SE ESTABILIZA DURANTE UN LARGO PERÍODO DE TIEMPO ANTES DE VOLVER A SUBIR) TRATE DE ENVOLVER CON FIRMEZA LA PIEZA EN PAPEL DE ALUMINIO O PAPEL DE CARNICERO CON UN POCO DE LÍQUIDO EN SU INTERIOR (EL CALDO DE TERNERA MEJORA EL RESULTADO) Y VUELVA A PONERLO EN LA PARRILLA HASTA QUE ALCANCE LA TEMPERATURA DESEADA.

RECETA SENCILLA DE COSTILLA AHUMADA

Esta sencilla receta de costilla ahumada requiere muy poco esfuerzo, pero realiza de una manera espectacular esos matices dulces del cerdo. En cuatro horas y media de ahumado lento y a baja temperatura conseguirá que las dos bandejas de costillas de cerdo pequeñas le salgan jugosas y deliciosas. Los últimos 45 minutos de cocción consisten en mantener esos sabores y preservarlos con una corteza crujiente. Esto se consigue haciendo las costillas envueltas en papel a una temperatura de 176 °C (350 °F).

INGREDIENTES:

2 bandejas de costillas de cerdo pequeñas
Condimento dulce para costillas de Louisiana Grills®

INSTRUCCIONES:

- Mientras se calienta la parrilla, quite la membrana de grasa del reverso de las costillas deslizando un cuchillo para mantequilla por debajo de la membrana y rompiéndola. Con un pedazo de papel de cocina, agarre la parte de la membrana despegada y tire hacia atrás hasta que salga entera.
- Sazone ambos lados de las costillas con condimento dulce para costillas. Coloque las costillas, con el lado de la carne hacia arriba, en la parrilla y cierre la tapa. Ahúmelas durante unas 4 horas y media.
- Envuélvalas en papel y vuelva a meterlas en la parrilla a 176 °C (350 °F) durante 45 minutos más.
- Saque las costillas de la parrilla y déjelas reposar durante 10 minutos.
- Córte las y sírvelas calientes. ¡Buen provecho!

CONSEJO: SI DESEA OBTENER UN SABOR MÁS COMPLEJO, ESPARZA MOSTAZA EN GRANO POR LAS COSTILLAS ANTES DE APLICAR EL CONDIMENTO.

DIFICULTAD: FÁCIL

MÉTODO DE COCCIÓN: ASADO

RACIONES: 4

**TIEMPO DE PREPARACIÓN:
60 MINUTOS**

**TIEMPO DE COCCIÓN:
20 MINUTOS**

SABOR DEL PÉLET:

- MANZANO
- MEZCLA DE COMPETICIÓN
- MADERA DE FRUTALES
- CEREZO

DIFICULTAD: FÁCIL

**MÉTODO DE COCCIÓN:
BARBACOA**

RACIONES: 4

**TIEMPO DE PREPARACIÓN:
10 MINUTOS**

**TIEMPO DE COCCIÓN:
75 MINUTOS**

SABOR DEL PÉLET:

- NOGAL AMERICANO
- MEZCLA DE COMPETICIÓN
- MEZQUITE

SOLOMILLO DE CERDO A LA PARRILLA

¿Busca una receta de cerdo fácil de hacer pero con un sabor sofisticado? Este solomillo de cerdo a la parrilla no solo se hace rápido, sino que además está buenísimo. Es el plato principal perfecto: asado con aceite de oliva, azúcar moreno y aliño de manteca de manzana de Tennessee. Pruébalo con una guarnición de polenta y panceta.

INGREDIENTES:

- 1 solomillo de cerdo, cortado y sin telillas
- 2 cucharadas (30 g) de azúcar moreno
- 2 cucharadas (30 g) de aceite de oliva
- 2 cucharadas (30 g) de aliño de manteca de manzana de Tennessee de Louisiana Grills®

INSTRUCCIONES:

- En un cuenco pequeño, mezcle el aceite de oliva, el azúcar moreno y el aliño de manteca de manzana de Tennessee hasta conseguir una mezcla homogénea. Unte generosamente el solomillo de cerdo con el adobo. Ponga el solomillo a marinar durante 1 hora.
- Encienda la parrilla. Espere a que se encienda el fuego y, a continuación, ponga la parrilla a 176 °C (350 °F). Ase el solomillo durante 5-7 minutos por cada lado, dele la vuelta a la pieza una sola vez y deje que se haga hasta que la temperatura interna alcance los 62 °C (145 °F).
- Retire el solomillo de la parrilla y déjelo reposar 10 minutos.
- ¡Córtelo y sívalo!

CONSEJO: PARA LOGRAR UN DELICIOSO SABOR A MANZANA DULCE, DEJE EL SOLOMILLO A MACERAR EN ZUMO DE MANZANA, CUBIERTO Y EN EL FRIGORÍFICO, TODA LA NOCHE.

POLLO ASADO SENTADO A LA CERVEZA CON ESPECIAS CHAMPION

En algún lugar, alguien se tomaba una cerveza en lata mientras hacía una barbacoa y pensó: "Me pregunto si sabrá mejor el pollo si lo pongo encima de esto y lo cocino". Y así fue como nació el pollo sentado a la cerveza. Esta receta de pollo sentado a la cerveza Champion es un guiño al clásico de la barbacoa de jardín. El pollo se sienta en un trono de cerveza y salsa barbacoa y se unta con nuestra famosa mezcla de especias para pollo Champion. El resultado es una carne jugosa, tierna y deliciosa que le encantará a toda la familia.

INGREDIENTES:

- 1 pollo entero
- 1 lata de cerveza de cualquier marca
- 3 cucharadas (45 g) de salsa barbacoa Memphis Style de Louisiana Grills®
- 2 cucharadas (30 g) de aceite de oliva
- Mezcla de especias para pollo Champion de Louisiana Grills®

INSTRUCCIONES:

- Saque el pollo de la bolsa y asegúrese de que no quedan ni órganos ni menudillos dentro del pollo. Enjuáguelo, por dentro y por fuera, y luego séquelo. Con un pincel, unte el pollo con bastante aceite de oliva y la mezcla de especias para pollo Champion de Louisiana Grills®. Deje reposar el pollo con el adobo durante por lo menos 15 minutos.
- Vaya vertiendo cerveza de la lata hasta que quede llena hasta la mitad. Después, añada la salsa barbacoa a la lata de cerveza o trono del pollo. Coloque el pollo encima de la lata o trono deslizándolo con cuidado para que el hueco se ajuste con precisión a la lata. Meta las alas detrás del lomo del pollo.
- Encienda la parrilla. Espere a que se encienda el fuego y, a continuación, ponga la parrilla a 176 °C (350 °F).
- Ase el pollo en posición vertical en la lata de cerveza o en el trono durante 1 hora o 1 hora y 15 minutos hasta que la temperatura interna alcance los 82 °C (180 °F) en la parte más gruesa del pollo (las pechugas, las patas y los muslos) y los jugos salgan claros.
- Retire el pollo de la parrilla y déjelo reposar 15 minutos.
- Corte el pollo y sívalo.

CONSEJO: PARA POTENCIAR EL SABOR, DEJE EL POLLO EN ADOBO TODA LA NOCHE EN EL FRIGORÍFICO.



IMPORTANT

DO NOT RETURN PRODUCT TO STORE

For all questions, comments, or inquiries,
please contact Dansons directly.

USA: (480) 923-9632
Canada: 1-877-942-2246

IMPORTANT

NE RETOURNEZ PAS L'ARTICLE AU MAGASIN

Si vous avez des questions, des commentaires
ou des demandes, veuillez communiquer
directement avec Dansons.

États-Unis : (480) 923-9632
Canada (sans frais) : 1-877-942-2246


¡IMPORTANTE!


NO DEVUELVA EL PRODUCTO A LA TIENDA


Si tiene alguna duda, comentario o
consulta, póngase en contacto
directamente con Dansons.

EE.UU : (480) 923-9632
Canada (gratuita) : 1-877-942-2246

WWW.LOUISIANA-GRILLS.COM

 **WARNING:** THIS PRODUCT CAN EXPOSE YOU TO CHEMICALS INCLUDING WOOD DUST, WHICH IS KNOWN TO THE STATE OF CALIFORNIA TO CAUSE CANCER, AND CARBON MONOXIDE, WHICH IS KNOWN TO THE STATE OF CALIFORNIA TO CAUSE BIRTH DEFECTS OR OTHER REPRODUCTIVE HARM. FOR MORE INFORMATION GO TO WWW.P65WARNINGS.CA.GOV

 **AVERTISSEMENT :** CE PRODUIT PEUT VOUS EXPOSER À DES AGENTS CHIMIQUES, Y COMPRIS LA POUSSIÈRE DE BOIS, IDENTIFIÉS PAR L'ÉTAT DE CALIFORNIE COMME POUVANT CAUSER LE CANCER, ET LE MONOXYDE DE CARBONE, RECONNU PAR L'ÉTAT DE CALIFORNIE COMME POUVANT CAUSER DES MALFORMATIONS CONGÉNITALES OU AUTRES EFFETS NOCIFS SUR LA REPRODUCTION. POUR DE PLUS AMPLES INFORMATIONS, PRIÈRE DE CONSULTER WWW.P65WARNINGS.CA.GOV

 **ADVERTENCIA:** ESTE PRODUCTO PUEDE EXPONERLE A QUÍMICOS INCLUYENDO POLVO DE MADERA, QUE ES CONOCIDO POR EL ESTADO DE CALIFORNIA COMO CAUSANTES DE CÁNCER Y AL MONÓXIDO DE CARBONO, QUE ES CONOCIDO POR EL ESTADO DE CALIFORNIA COMO CAUSANTE DE DEFECTOS DE NACIMIENTO U OTROS DAÑOS REPRODUCTIVOS. PARA MAYOR INFORMACIÓN, VISITE WWW.P65WARNINGS.CA.GOV

MADE IN CHINA | FABRIQUÉ EN CHINE | HECHO EN CHINA

©2022 DANSONS | 780220607UMV

