

SYLVANIA

MODEL NO. SCR1245-USB

USB CLOCK RADIO WITH PROJECTOR



PLEASE READ BEFORE OPERATING THIS EQUIPMENT

Important Safety Instructions

1. Read these instructions.
2. Keep these instructions.
3. Heed all warnings.
4. Follow all instructions.
5. Do not use this apparatus near water.
6. Clean only with dry cloth.
7. Do not block any ventilation openings. Install in accordance with the manufacturer's instructions.
8. Do not install near any heat sources such as radiators, heat registers, stoves, or other apparatus (including amplifiers) that produce heat.
9. Do not defeat the safety purpose of the polarized or grounding-type plug. A polarized plug has two blades with one wider than the other. A grounding type plug has two blades and a third grounding prong. The wide blade or the third prong are provided for your safety. If the provided plug does not fit into your outlet, consult an electrician for replacement of the obsolete outlet.
10. Protect the power cord from being walked on or pinched particularly at plugs, convenience receptacles, and the point where they exit from the apparatus.
11. Only use attachments/accessories specified by the manufacturer.
12. Use only with the cart, stand, tripod, bracket, or table specified by the manufacturer, or sold with the apparatus. When a cart is used, use caution when moving the cart/apparatus combination to avoid injury from tip-over.



13. Unplug this apparatus during lightning storms or when unused for long periods of time.
14. Refer all servicing to qualified service personnel. Servicing is required when the apparatus has been damaged in any way, such as power-supply cord or plug is damaged, liquid has been spilled or objects have fallen into the apparatus, the apparatus has been exposed to rain or moisture, does not operate normally, or has been dropped.

Warning: Changes or modifications to this unit not expressly approved by the party responsible for compliance could void the user's authority to operate the equipment.

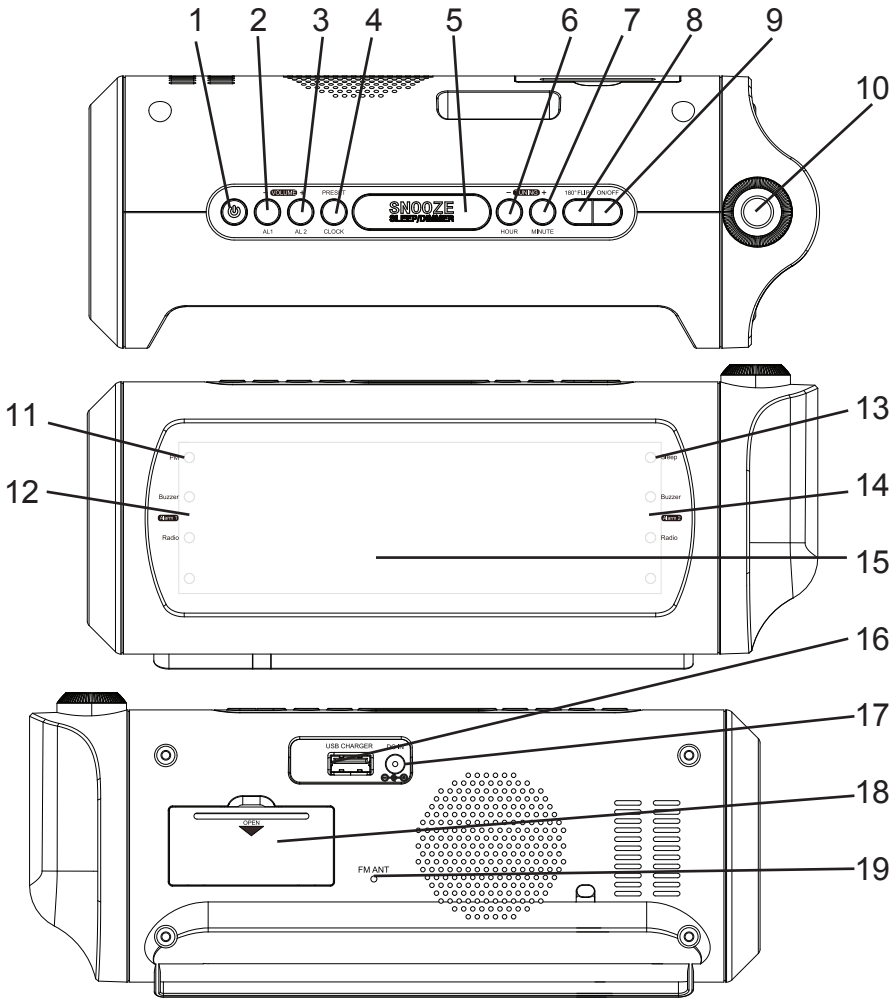
Do not mix old and new batteries.

Do not mix alkaline, standard (carbon-zinc), or rechargeable (ni-cad, ni-mh, etc) batteries.

NOTE: This equipment has been tested and found to comply with the limits for a Class B digital device, pursuant to Part 15 of the FCC Rules. These limits are designed to provide reasonable protection against harmful interference in a residential installation. This equipment generates, uses, and can radiate radio frequency energy and, if not installed and used in accordance with the instructions, may cause harmful interference to radio communications. However, there is no guarantee that interference will not occur in a particular installation. If this equipment does cause harmful interference to radio or television reception, which can be determined by turning the equipment off and on, the user is encouraged to try to correct the interference by one or more of the following measures:

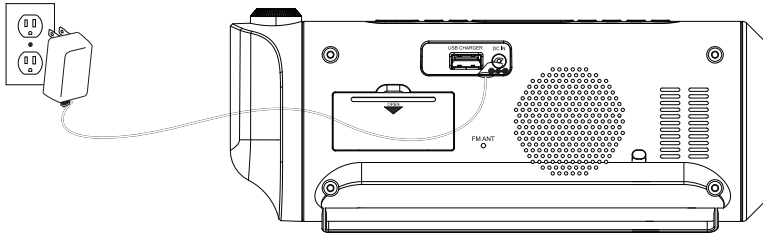
- Reorient or relocate the receiving antenna.
- Increase the separation between the equipment and receiver.
- Connect the equipment into an outlet on a circuit different from that to which the receiver is connected.
- Consult the dealer or an experienced radio/TV technician for help.

LOCATION OF CONTROLS



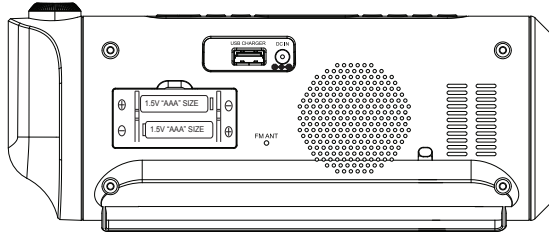
- | | |
|-----------------------------------|--|
| 1. POWER & AUTO SCAN BUTTON | 11. PM INDICATOR |
| 2. VOLUME DOWN & ALARM ONE BUTTON | 12. ALARM ONE INDICATOR |
| 3. VOLUME UP & ALARM TWO BUTTON | 13. SLEEP INDICATOR |
| 4. PRESET & CLOCK SET BUTTON | 14. ALARM TWO INDICATOR |
| 5. SNOOZE, SLEEP & DIMMER BUTTON | 15. LED DISPLAY |
| 6. TUNING UP & MINUTE BUTTON | 16. USB CHARGER DC 5V/1A (only for charging) |
| 7. TUNING DOWN & HOUR BUTTON | 17. POWER JACK (DC \equiv 5V/1A) |
| 8. 180 DEGREE FLIP BUTTON | 18. BACKUP BATTERY COMPARTMENT
(2 X 1.5V "AAA" BATTERIES) (Not Include) |
| 9. PROJECTOR ON/OFF BUTTON | 19. FM ANTENNA |
| 10. PROJECTOR LENS | |

POWER SOURCE



Plug the included AC/DC Switching adapter (Input:100-240V~ 50/60Hz, Output:5V \equiv 1000mA) into the POWER JACK on the dock and an AC power outlet to power the dock.

BATTERY BACKUP



The battery backup is intended for short power outages only. The clock radio's primary functions cannot run off of the battery backup alone.

Requires 2, AAA Size, batteries (Not Include)

SETTING CLOCK

1. In standby mode, press and hold the PRESET & CLOCK SET BUTTON
2. The hours will blink. Press TUNING DOWN & HOUR BUTTON to set the current hour.
3. Press the TUNING UP & MINUTE BUTTON to set the current minute.
4. Press PRESET & CLOCK SET BUTTON once and the current time is set.

NOTE: The PM indicator will light when the hour is set in the PM

SETTING SLEEP TIMER

When listening to radio, press SNOOZE, SLEEP & DIMMER BUTTON to enter sleep mode. You can just adjust the sleep timer from 10 to 90 minutes by pressing the SNOOZE, SLEEP & DIMMER BUTTON.

The unit will automatically turn off after the selected time expires.

PLAYING FM RADIO

Auto Tuning the FM Radio

1. Press the POWER/AUTO SCAN BUTTON to turn the unit on.
2. Press and hold POWER/AL.OFF/AUTO SCAN BUTTON.
3. The unit will scan all local FM radio station and store in preset memory (Maximum can store 20 preset memories).

Manual Tuning the FM Radio

1. Press the POWER/AUTO SCAN BUTTON to turn the unit on.
2. Press TUNE BUTTON to tune the radio manually
3. Hold down the TUNE button to scan for available stations.

Maunal Saving and Playing a Station as a Preset

1. Tune to the desired station
2. Press and hold the PRESET / CLOCK BUTTON. it will appear"P01"and flash on the displays
3. Press the TUNE BUTTON to adjust to the desired preset number. "P01"- "P20" (20 preset memories).
4. Press the PRESET / CLOCK BUTTON to save the current radio station to the selected preset which can store 20 stations.
5. Press the PRESET / CLOCK BUTTON ,Press the TUNE BUTTON to cycle through preset radio stations.

ALARM

Setting the Alarm

1. If in radio mode, press the POWER & AUTO SCAN BUTTON to turn the unit off.
2. Press and hold the VOLUME DOWN & ALARM ONE BUTTON or VOLUME UP & ALARM TWO BUTTON.
3. Press the TUNING UP & HOUR BUTTON to adjust the hour.
**The PM indicator will light when the hour is set in the PM*
4. Press the TUNING DOWN & MINUTE BUTTON to adjust the minute.
**The Alarm One or Alarm Two indicator will come on.*
5. Press the VOLUME DOWN & ALARM ONE BUTTON or VOLUME UP & ALARM TWO BUTTON repeatedly to switch between Radio, Buzzer (bb) or Off.
6. Once the set alarm time is reached, the alarm will sound.
7. To set the other alarm, follow the above steps and choose the alarm not currently set.

Cancelling the Alarm

1. Follow the instructions for Setting the Alarm.
2. Press the VOLUME DOWN & ALARM ONE BUTTON or VOLUME UP & ALARM TWO BUTTON repeatedly until the alarm indicator light "OFF"

When the Alarm sounds

Press SNOOZE, SLEEP & DIMMER BUTTON to delay for an additional 9 minntes.

Press POWER & AUTO SCAN BUTTON to turn the alarm off until the set alarm time is reached again.



TIME PROJECTION

1. Press the PROJECTOR ON/OFF BUTTON to turn “On” or “Off” the projector.
 2. Project the time onto a light/flat surface such as the ceiling or wall behind the unit.
 3. Swivel the projector to position the projected time, and adjust the focus if needed.
 4. If necessary, you may tap the 180° FLIP BUTTON to invert the projected time 180°.
- Note : The optimal projection distance is 3-9 feet.

USB CHARGE

1. Make sure the unit is plugged into the wall, Make sure the unit plugged into the AC adapter.
2. Using the appropriate USB charging cable (not included), connect one end to the device and the other to the USB Charger on the unit.

Refer to the user’s manual for your specific device for manufacturers required charging amperage as well as determining the appropriate cable for your device before charging.

3. The device will now charge.

Note: This device uses a USB charging port with a 1000mA maximum charging capacity, making it unsuitable for charging iPads.

CARE AND MAINTENANCE

1. Clean the unit with a soft, damp (never wet) cloth. Solvent or detergent should never be used.
2. Avoid operating your unit under direct sunlight or in hot, humid or dusty places to reduce the risk of fire or electric shock.
3. Keep your unit away from heating appliances and sources of electrical noise such as fluorescent lamps or motors.
4. For better clock display clarity, avoid operating the unit under direct sunlight or in strong room illumination.
5. Unplug the AC adapter from the unit and the electrical power outlet immediately in case of malfunction.

TROUBLESHOOTING GUIDE

Symptom	Possible Cause	Solution
Noise or sound distorted on radio	Station not tuned properly FM: Antenna is not fully extended.	Fine tune the FM broadcast station. FM: Fully extend the FM antenna. FM: Reposition the unit until the best reception is obtained.
FM no sound	Volume at minimum	Increase Volume

SPECIFICATIONS

- USB Charging..... DC 5V, 1A
- Switching Adapter..... INPUT: 100-240V~ 50/60Hz
OUTPUT: 5V \square 1000mA
- Battery Size (For Backup Only)..... 2 x AAA SIZE (LR03)
- Radio Frequency..... FM: 87.5 - 108MHz



LIMITED PRODUCT WARRANTY

This quality product is warranted to be free from manufacturer's defects in material and workman-ship, provided that the unit is used under the normal operating conditions intended by the manufacturer.

Should you have any problem with this product, please and it is highly recommended to visit our website at www.curtisint.com before you take any other steps as we have additional copies of instruction manuals, operating manuals and trouble shooting tips on our website which gives you the answer on most of the questions you could have in operating the unit.

TERMS OF WARRANTY

C.I. Service Dept. warrants this product to be free from defects in materials and workmanship for 90 days on parts and 90 days on labor. If you originally purchased your product more than 90 days ago, a repair fee may apply.

Nothing within this warranty shall imply that C.I. will be responsible or liable for any damage to any items placed in this product, whether due to any defect of the product, or its use, whether proper or improper.

EXCLUSIONS

Save as herein provided, C.I. Service Dept. (Canada) or C.I. Service Dept. (USA), there are no other warranties, conditions, representations or guarantees, express or implied, made or intended by C.I. or its authorized distributors and all other warranties, conditions, representations or guarantees, including any warranties, conditions, representations or guarantees under any Sale of Goods Act or like legislation or statute is hereby expressly excluded. Save as herein provided, C.I. Service Dept. (Canada) or C.I. Service Dept. (USA), shall not be responsible for any damages to persons or property, including the unit itself, howsoever caused or any consequential damages arising from the malfunction of the unit and by the purchase of the unit, the purchaser does hereby agree to indemnify and save harmless C.I. from any claim for damages to persons or property caused by the unit.

TO OBTAIN REPAIRS UNDER THE TERMS OF THIS WARRANTY

1. The original purchaser must present a copy of the original bill of sale and the service warranty card.
2. Any alterations, abuse, misuse, battery corrosion or accidental damage voids the warranty.
3. The warranty does not cover cabinets and accessories.
4. No warranty or insurance contained or set out shall apply when damage or repair is caused by power failure; damage in transit or when moving the unit; improper power supply; use for commercial or industrial purposes; service calls resulting in customer education, etc.
5. The defective product should be mailed to:

Canada
C.I. Service Dept.
315 Attwell Drive
Toronto, ON
M9W 5C1

U.S.A
Curtis International Ltd
c/o Lotus International Company
6880 Commerce Blvd.
Canton MI 48187
U.S.A.

For service assistance and product information, please call: 1-800-968-9853.

If mailing the product, the freight must be prepaid and a money order for \$7.00 should be included to cover the cost of insurance and the return of the product.

6. C.I. reserves the right to repair or replace the parts which have become defective.

To begin the **warranty repair process**, please note that you **MUST** obtain a **return authorization number prior** to returning your product for warranty based support. This can be placed under the 1-800-968-9853 contact line.

Model No. _____ Date Purchased _____ Serial No. _____