

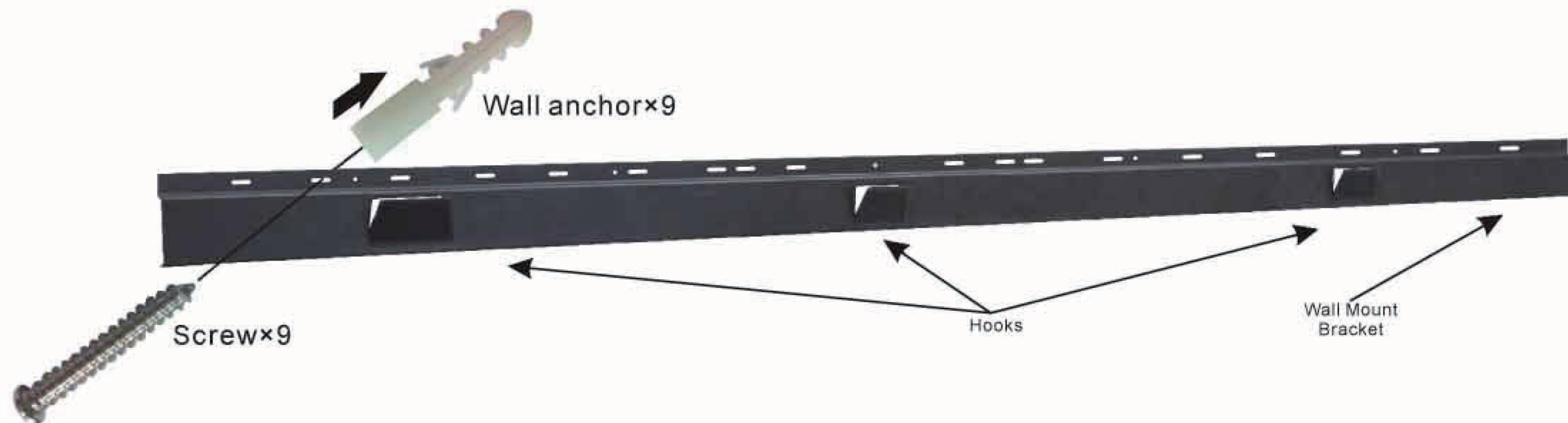
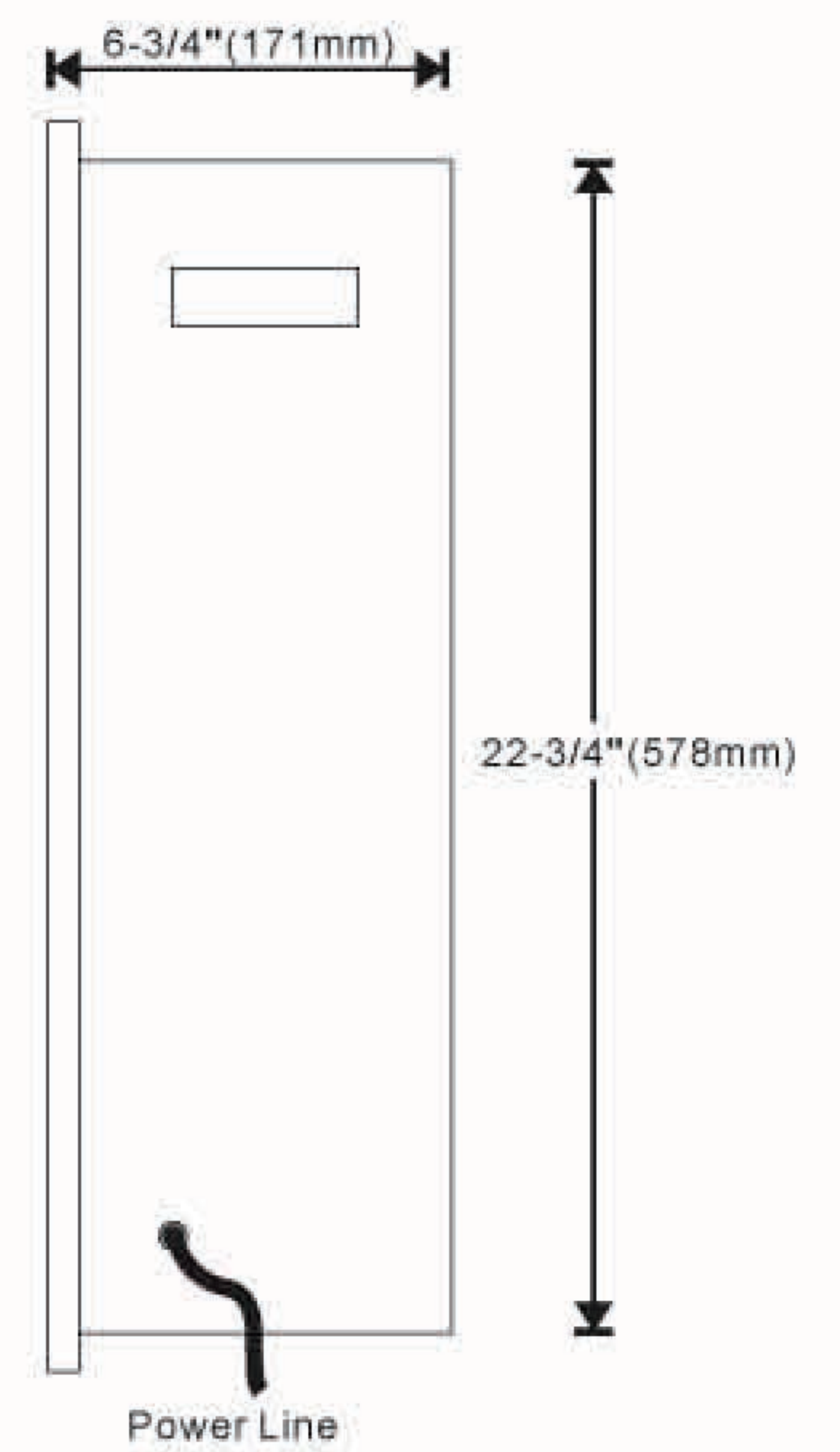
# INSTALLATION INSTRUCTIONS

## 1.1 WALL-MOUNT INSTALLATION

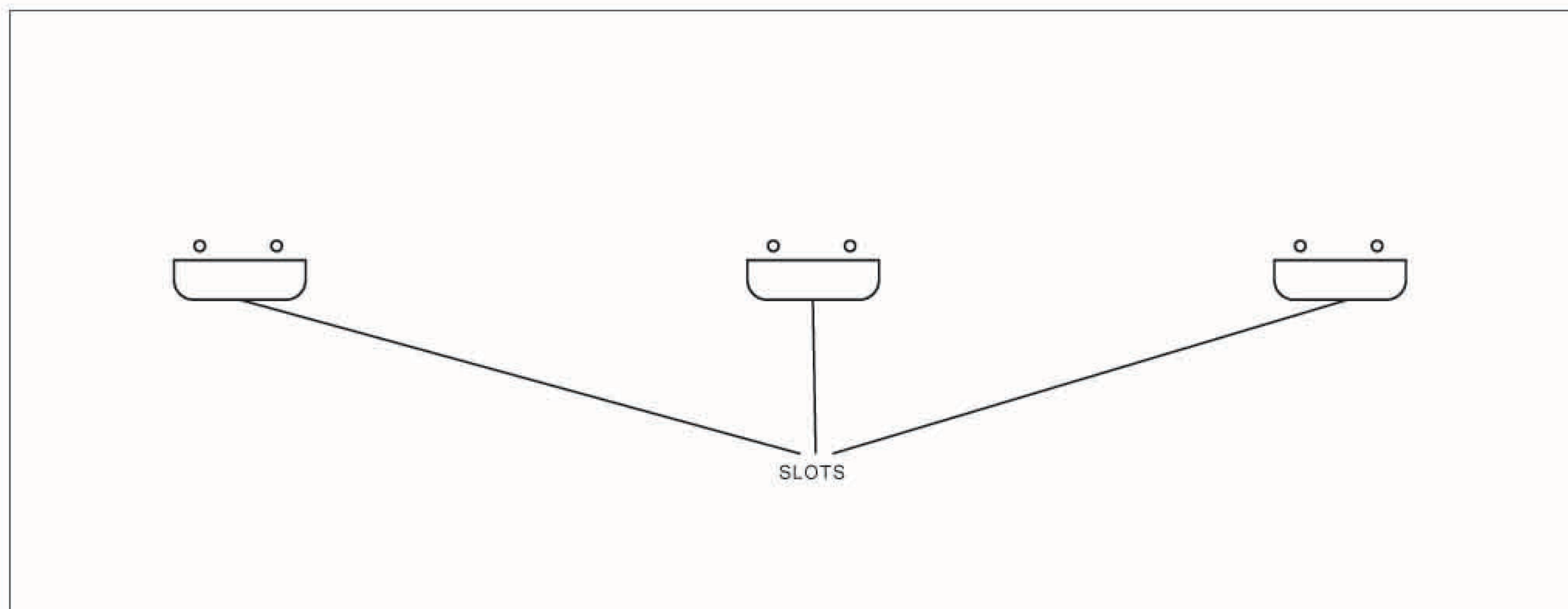
Due to the many different materials used on different walls, it is highly recommended that you consult your local builder before you install this appliance on the wall.

- A. Have two people hold the appliance against the wall to determine the final location.
- B. Mark out location, then mount the bracket onto the wall using the nine supplied screws. This bracket MUST have the hooks facing upward and be level.  
**NOTE: It is strongly recommended that the mounting bracket be screwed into the wall studs where possible. If the wall studs cannot be used, ensure that the supplied plastic anchors are used to affix the bracket to the wall and the bracket is adequately secured.**
- C. With the wall mounting bracket installed have two people lift the appliance up and insert the three hooks on the bracket into the three slots on the back of the appliance.
- D. Check the appliance for stability ensuring that the bracket will not pull free from the wall.

SIDE VIEW

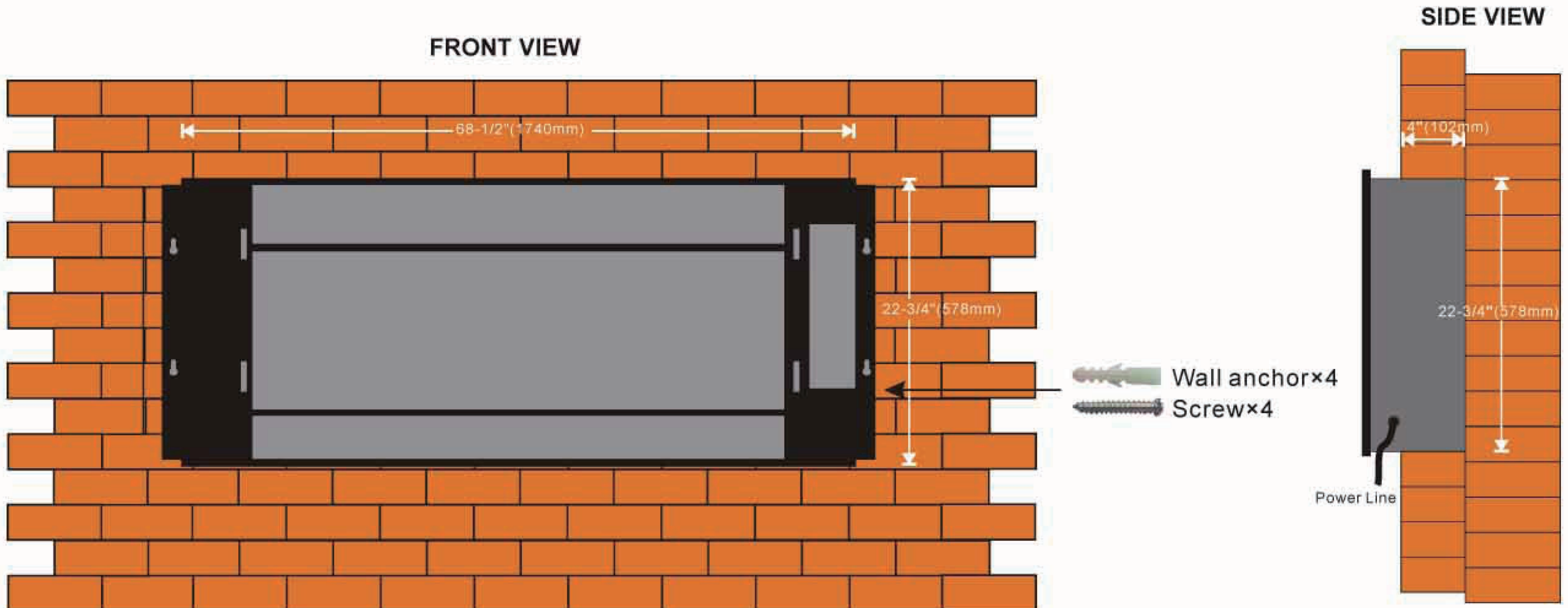


REAR VIEW



## 1.2 RECESSED INSTALLATION

- A. Leave a frame in the wall, the size is W68-1/2"×H22-3/4"×D4".
- B. Have two people put the box into the wall, and fix the box to the wall with self-tapping screws.
- C. Put the hooks on the both sides of glass door into the holes in the box. Then push down the glass door to its place.
- D. Check the appliance for stability ensuring that the appliance will not pull free from the wall.



## 1.3 FREE STANDING INSTALLATION

- A. Fix the pillar and plate with 4 screws, as shown in the figure (A).
- B. Upend the box, then fix it and base with 4 screws at the bottom of the box, as shown in the figure (B).
- C. Fix another two plates and base with 4 screws. Base installation is finished, as shown in the figure (C).
- D. Put the hooks on the both sides of glass door into the holes in the box. Then push down the glass door to its place.

