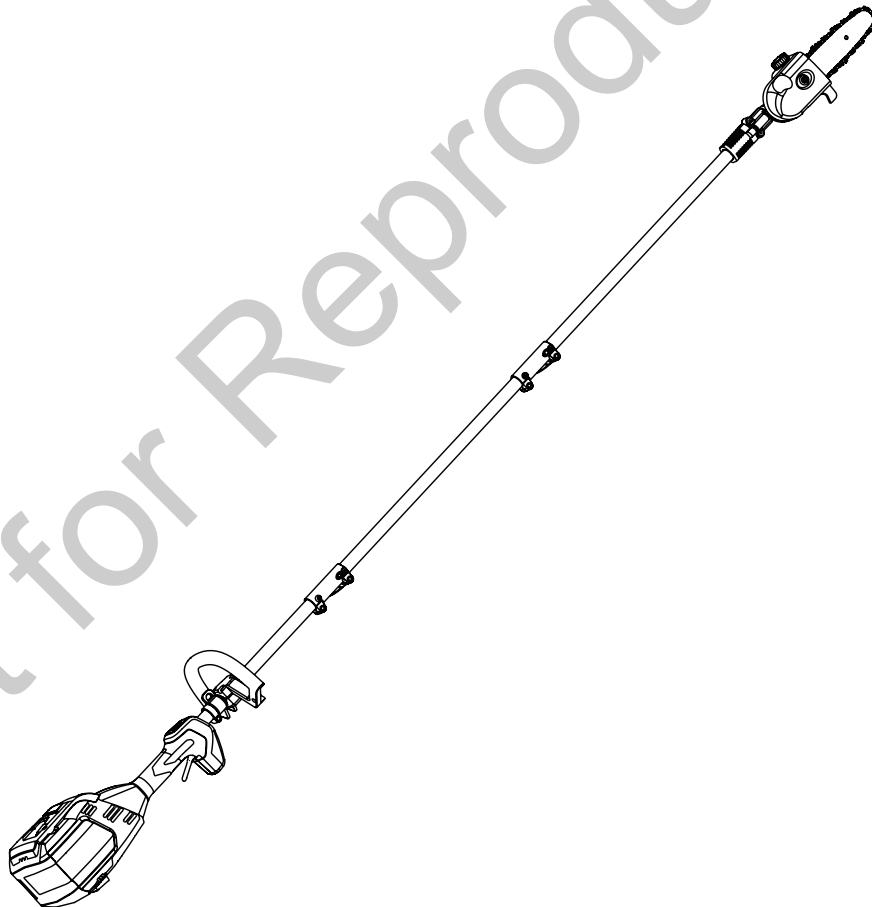




82V BRUSHLESS POLE SAW
1696864 (SXD82ZPS)



Owner's Manual
TOLL-FREE HELPLINE: 1-800-317-7833
www.snapper.com

Read all safety rules and instructions carefully before operating this tool.

CONTENTS

Product Specifications.....	2
Safety Information.....	3
Symbols.....	5
Features and Controls.....	7
Assembly	8
Operation.....	11
Battery & Charger.....	14
Maintenance.....	16
Environmentally Safe Battery Disposal.....	20
Troubleshooting.....	21
Warranty.....	22

PRODUCT SPECIFICATIONS

82V CORDLESS POLE SAW

Type.....	Cordless, battery-powered
Motor.....	82V Brushless
Bar length.....	10" (254 mm)
Chain pitch.....	3/8 in. (9.5 mm)
Chain gauge.....	0.05 in. (1.27 mm)
Chain type.....	91PJ040X
Guide bar type.....	100SDEA318
Chain oil tank capacity..	180 ml
Weight(Without battery)	6 kg

Disclaimer: * Maximum initial battery voltage (measured without a workload) is 82 volts. Nominal voltage is 72.

Cold Weather Operation: Lithium Ion batteries can be safely used from temperatures ranging from 1 degree to 113 degrees Fahrenheit. NOTE: Do not store or charge battery outside. Battery must be charged and stored indoors prior to use of the pole saw.

Battery may not properly start if its temperatures is 1 degree Fahrenheit or lower. If unit does not start remove battery from pole saw. Place battery on charger and allow to charge for 10 minutes to allow battery to warm. Remove from charger and install in pole saw for use.

SAFETY INFORMATION

Save all warnings and instructions for future reference.

The term “power tool” in all of the warnings listed below refers to your mains-operated (corded) power tool or battery-operated (cordless) power tool.

GENERAL SAFETY RULES

- Avoid Dangerous Environment – Don't use appliances in damp or wet locations.
- Don't Use In Rain.
- Keep Children Away – All visitors should be kept at a distance from work area.
- Dress Properly – Do not wear loose clothing or jewelry. They can be caught in moving parts. Use of rubber gloves and substantial footwear is recommended when working outdoors. Wear protective hair covering to contain long hair.
- Use Safety Glasses – Always use face or dust mask if operation is dusty.
- Use Right Appliance – Do not use appliance for any job except that for which it is intended.
- Don't grasp the exposed cutting blades or cutting edges when picking up or holding the appliance. (For grass shears and similar appliances only.)
- Don't Force Appliance – It will do the job better and with less likelihood of a risk of injury at the rate for which it was designed.
- Don't Overreach – Keep proper footing and balance at all times.
- Stay Alert – Watch what you are doing. Use common sense. Do not operate appliance when you are tired.
- Disconnect Appliance – Disconnect the appliance from the power supply when not in use, before servicing, when changing accessories such as blades, and the like.
- Store Idle Appliances Indoors – When not in use, appliances should be stored indoors in dry, and high or locked-up place – out of reach of children.
- Maintain Appliance With Care – Keep cutting edge sharp and clean for best performance and to reduce the risk of injury. Follow instructions for lubricating and changing accessories. Inspect appliance cord periodically, and if damaged, have it repaired by an authorized service facility. Inspect extension cords periodically and replace if damaged. Keep handles dry, clean, and free from oil and grease.
- Check Damaged Parts – Before further use of the appliance, a guard or other part that is damaged should be carefully checked to determine that it will operate properly and perform its intended function. Check for alignment of moving parts, binding of moving parts, breakage of parts, mounting, and any other condition that may affect its operation. A guard or other part that is damaged should be properly repaired or replaced by an authorized service center unless indicated elsewhere in this manual.

POLE SAW SAFETY RULES

- Keep all parts of the body away from the saw chain. Do not remove cut material or hold material to be cut when blades are moving. Make sure the switch is off when clearing jammed material. Saw chain continues to move after the switch is turned off. A moment of inattention while operating the pole saw may result in serious personal injury.
- Carry the pole saw by the handle with the saw chain stopped. When transporting or storing the pole saw, always fit the saw chain device cover. Proper handling of the pole saw will reduce possible personal injury from the saw chain.
- Hold the pole saw by insulated gripping surfaces only, because the saw chain may contact hidden wiring or its own cord. A saw chain contacting a “live” wire may make exposed metal parts of the pole saw “live” and could give the operator an electric shock.
- Keep cable away from cutting area. During operation the cable may be hidden in shrubs and can be accidentally cut by the saw chain.
- Do not use the pole saw in bad weather conditions, especially when there is a risk of lightning. This decreases the risk of being struck by lightning.
- To reduce the risk of electrocution, never use near any electrical power lines. Contact with or use near power lines may cause serious injury or electric shock resulting in death.
- Always use two hands when operating the pole saw. Hold the pole saw with both hands to avoid loss of control.

SAFETY INFORMATION

- Always use head protection when operating the pole saw overhead. Falling debris can result in serious personal injury.
- Always remove battery pack from your tool when you are assembling parts, making adjustments, cleaning, or when not in use. Removing battery pack will prevent accidental starting that could cause serious personal injury.
- For use only with Briggs & Stratton batteries BSB2AH82 (2 amp-hour) or BSB4AH82 (4 amp-hour) or BSB5AH82 (5 amp-hour) and Briggs & Stratton charger BSRC82 or BSSC82.

▲ C A U T I O N

When using an cordless pole saw, basic safety precaution should always be followed to reduce the risk of fire, electric shock, and injury to persons.

▲ W A R N I N G (P R O P O S I T I O N 6 5)

This product contains a chemical known to the state of California to cause cancer, birth defects or other reproductive harm. Some dust created by power sanding, sawing, grinding, drilling and other construction activities contains chemicals known to cause cancer, birth defects or other reproductive harm. Some examples of these chemicals are:

- Lead from lead-based paints,
- Crystalline silica from bricks and cement and other masonry products, and
- Arsenic and chromium from chemically-treated lumber.

Your risk of exposure to these chemicals varies depending on how often you do this type of work. To reduce your exposure to these chemicals, work in a well-ventilated area, and work with approved safety equipment, such as dust masks that are specially designed to filter out microscopic particles.

CHILD SAFETY


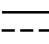








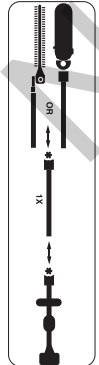
Tragic accidents can occur if the operator is not aware of the presence of children.

- Keep children out of the working area and under the watchful care of a responsible adult.
- Do not allow children under the age of 14 to operate this pole saw. Children who are 14 years of age and older must read and understand the operating instructions and safety rules in this manual and must be trained and supervised by a parent.
- Stay alert, and turn the pole saw off if a child or any other person enters the working area.
- Use extreme care when approaching blind corners, doorways, shrubs, trees, or other objects that may obscure your view of a child who may run into the wrong area.

SAVE THESE INSTRUCTIONS




SYMBOLS

Some of the following symbols may be used on this product. Please study them and learn their meaning. Proper interpretation of these symbols will allow you to operate the product better and safer.

SYMBOL	NAME	DESIGNATION/EXPLANATION
V	Volts	Voltage
A	Amperes	Current
Hz	Hertz	Frequency (cycles per second)
W	Watt	Power
min	Minutes	Time
	Alternating Current	Type of current
	Direct Current	Type or a characteristic of current
	Class II Construction	Double-insulated construction
	Wet Conditions Alert	Do not expose to rain or use in damp locations.
	Read The Operator's Manual	To reduce the risk of injury, user must read and understand operator's manual before using this product.
	Safety Alert	Precautions that involve your safety.
	Gloves and Safety Footwear	Wear non-slip, heavy-duty protective gloves and non-slip safety footwear when handling the pole saw and the blade.
	Risk of Electrocution	DANGER! Risk of electrocution! Keep all bystanders at least 50'(15m) away.
	Eye and Head Protection	Wear eye and head protection when operating this equipment.
	Bar Nose Contact	Avoid bar nose contact
	Extension Pole for machine	Not using more than one extension for the pole saw.

SYMBOLS

The following signal words and meanings are intended to explain the levels of risk associated with this product.

SYMBOLS	SIGNAL	MEANING
	DANGER	Indicates an imminently hazardous situation, which, if not avoided, will result in death or serious injury.
	WARNING	Indicates a potentially hazardous situation, which, if not avoided, could result in death or serious injury.
	CAUTION	Indicates a potentially hazardous situation, which, if not avoided, may result in minor or moderate injury.
	CAUTION	(Without Safety Alert Symbol) Indicates a situation that may result in property damage.

SERVICE

Servicing requires extreme care and knowledge and should be performed only by a qualified service technician. For service we suggest you return the product to your nearest **AUTHORIZED SERVICE CENTER** for repair. When servicing, use only identical replacement parts.

▲ W A R N I N G

To avoid serious personal injury, do not attempt to use this product until you have read this Owner's Manual thoroughly and understand it completely. If you do not understand the warnings and instructions in this Owner's Manual, do not use this product. Call the Toll-free Helpline (1-800-317-7833) for assistance.

▲ W A R N I N G

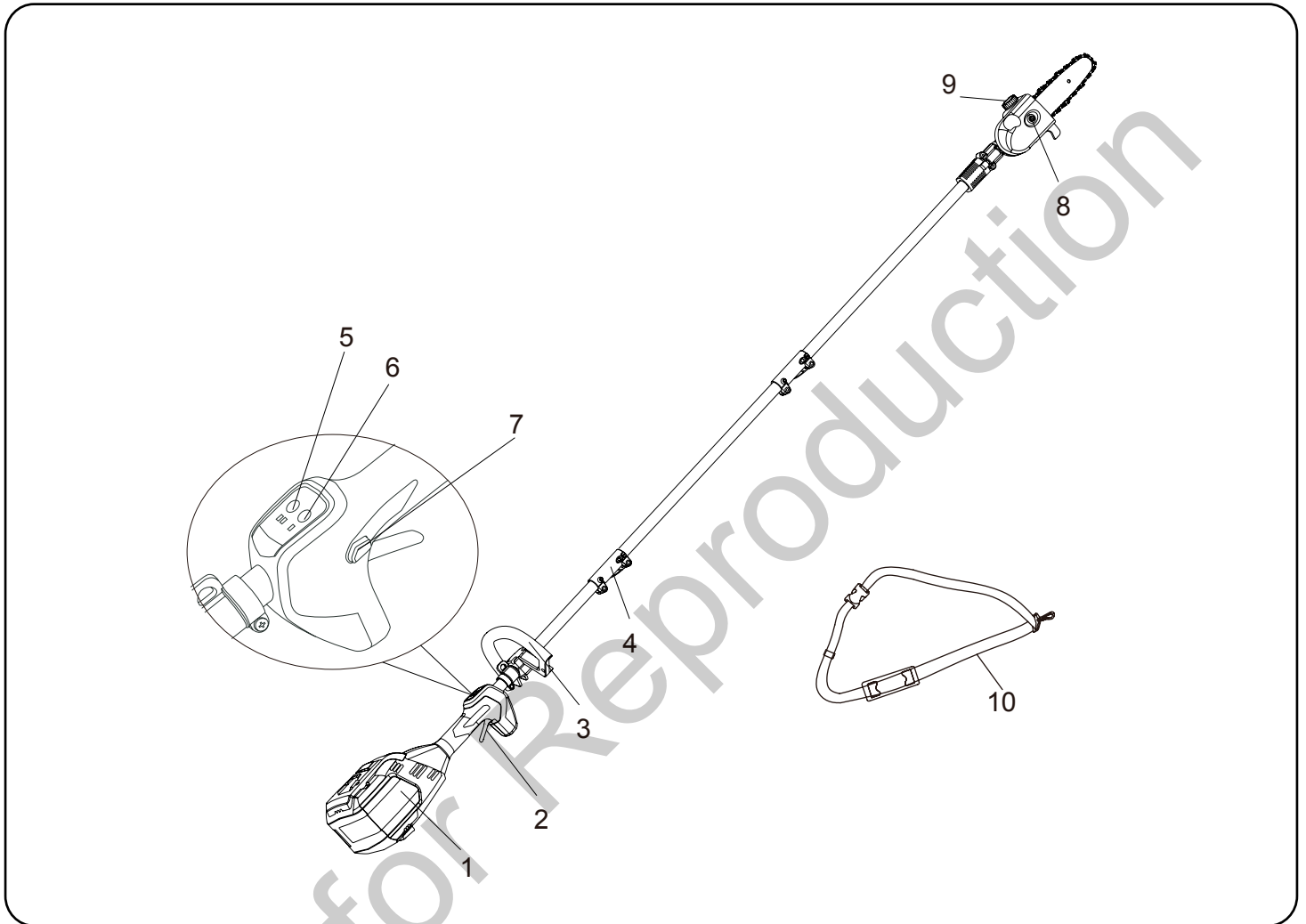


The operation of any power tool can result in foreign objects being thrown into your eyes, which can result in severe eye damage. Before beginning power tool operation, always wear safety goggles or safety glasses with side shields or a full face shield. We recommend Wide Vision Safety Mask for use over eyeglasses or standard safety glasses with side shields. Always use eye protection which is marked to comply with ANSI Z87.1.

SAVE THESE INSTRUCTIONS

FEATURES AND CONTROLS

The safe use of this product requires an understanding of the information on the product and in this operator's manual as well as a knowledge of the project you are attempting. Before use of this product, familiarize yourself with all operating features and safety rules.



1	Rear Housing	6	On/Off Button
2	Variable Speed Trigger	7	Safety Lock Button
3	Auxiliary Handle	8	Side Cover Lock Nut
4	Coupler	9	Oil Tank
5	High/Low Speed Button	10	Shoulder Strap

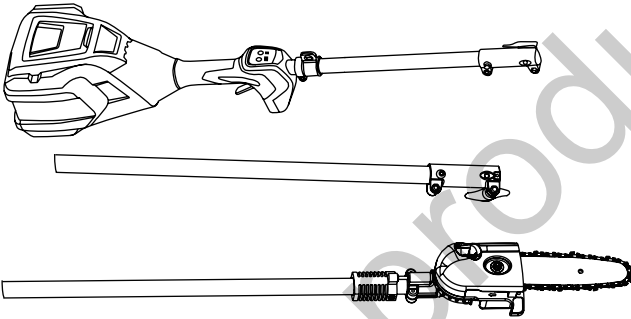
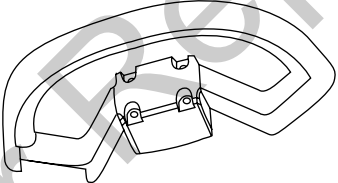
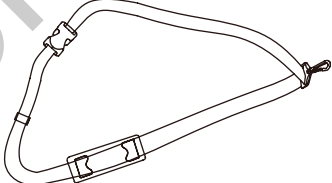

ASSEMBLY

UNPACKING

- Carefully remove the product and any accessories from the box. Make sure that all items listed in the packing list are included.
- Inspect the product carefully to make sure no breakage or damage occurred during shipping.
- Do not discard the packing material until you have carefully inspected and satisfactorily operated the product.
- If any parts are damaged or missing, please call 1-800-317-7833 for assistance.

PACKING LIST

- Pole Saw
- Shoulder Strap
- Owner's Manual

Part Name	Figure	Qty
Polesaw		1
Auxiliary handle		1
Shoulder strap		1
Operator's manual		1

▲ WARNING

If any parts are damaged or missing, do not operate this product until the parts are replaced. Failure to heed this warning could result in serious personal injury.

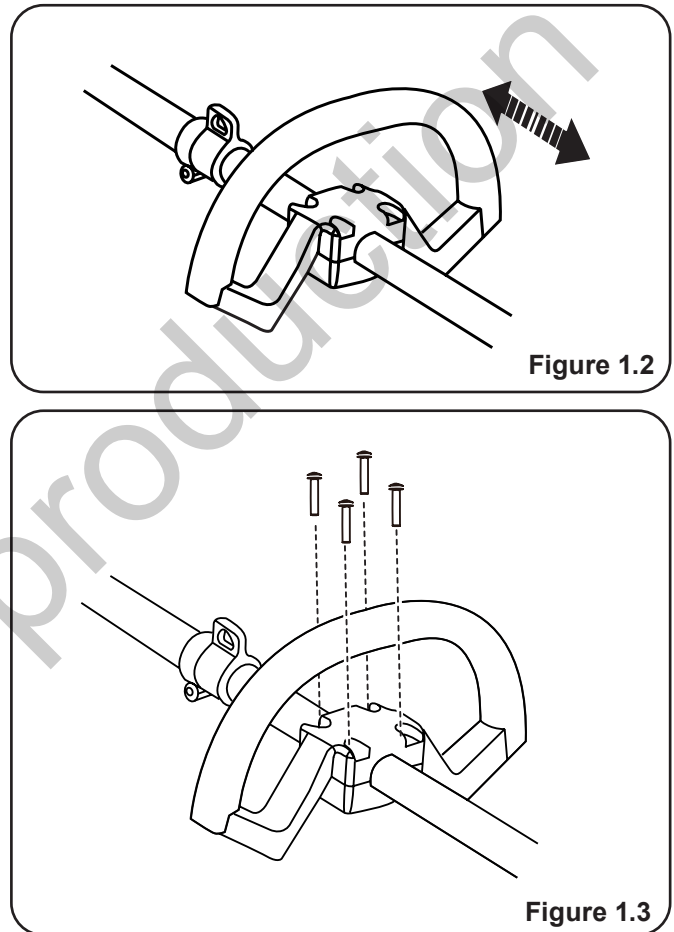
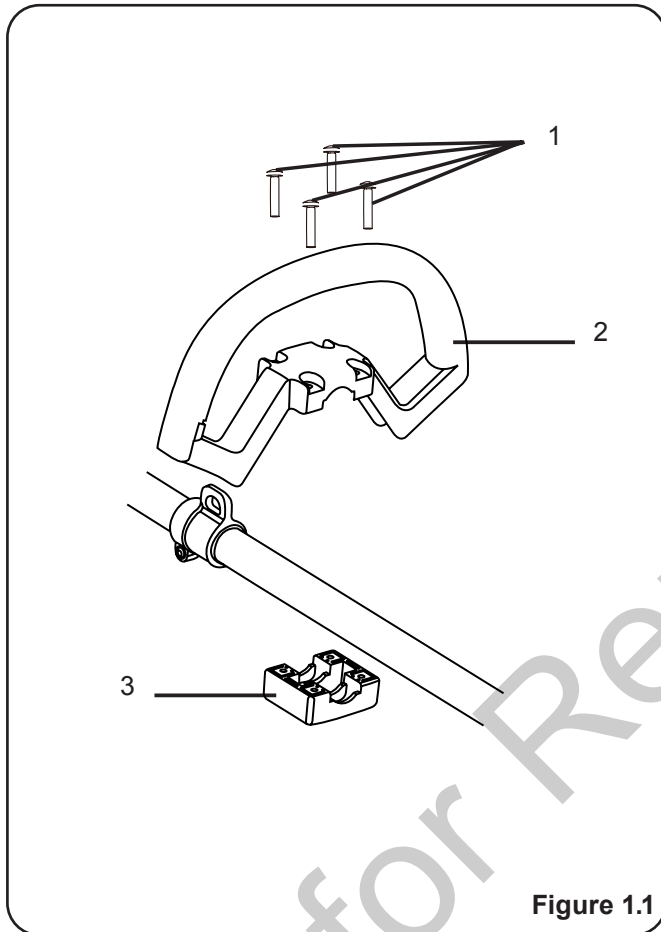
▲ WARNING

Do not insert battery until assembly is complete. Failure to comply could result in accidental starting and possible serious personal injury.

ASSEMBLY

ATTACHING THE AUXILIARY HANDLE See figure 1

1. Loosen the four screws (1) in the handle with a philips screwdriver (not included) and remove the screws from the handle.
2. Attach the auxiliary handle (2) and lower clamp (3) on the shaft.
3. Adjust handle up or down, if necessary, to desired operating position.
4. Tighten the four screws so that the handle cannot be rotated on the shaft.



INSTALLING THE UPPER SHAFT TO THE LOWER SHAFT See figure 2

⚠ WARNING

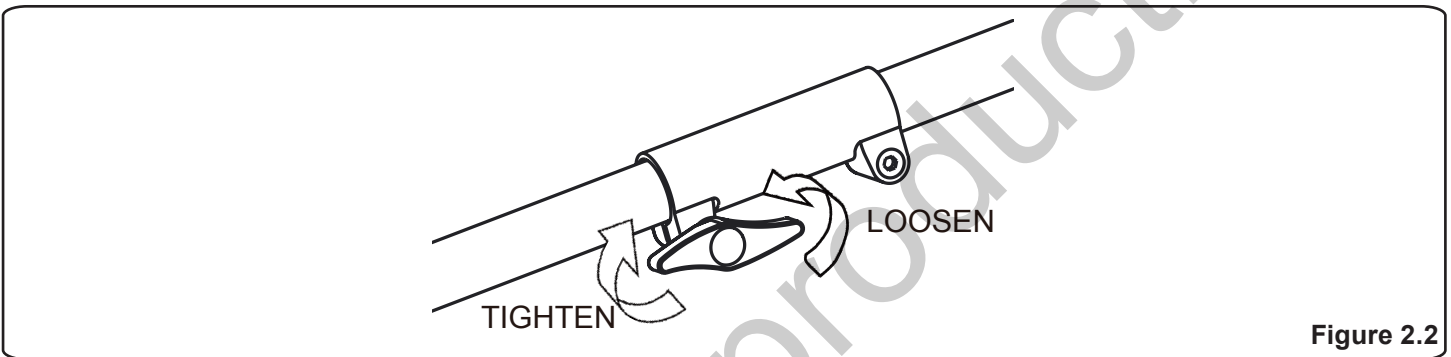
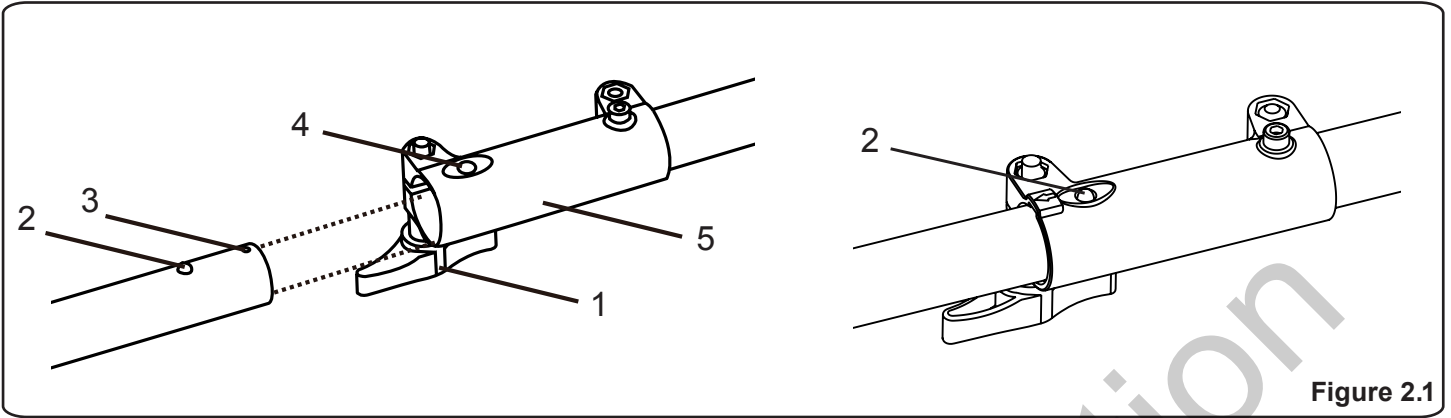
Never install, remove, or adjust any attachment while pole saw is running. Failure to stop the motor can cause serious personal injury.

The attachment connects to the power head by means of a coupler device.

1. Set the unit on a flat, level surface.
2. Loosen the knob (1) on the coupler (5).
3. Push in the release button (2) located on the lower shaft (3). Align the release button with the positioning hole (4) and slide the two shafts together. Rotate the lower shaft until the button locks into the positioning hole.
4. Tighten the knob securely.

NOTE: If the button does not release completely in the positioning hole, the shafts are not locked into place. Slightly rotate from side to side until the button is locked into place.

ASSEMBLY



ATTACHING THE HARNESS See figure 3

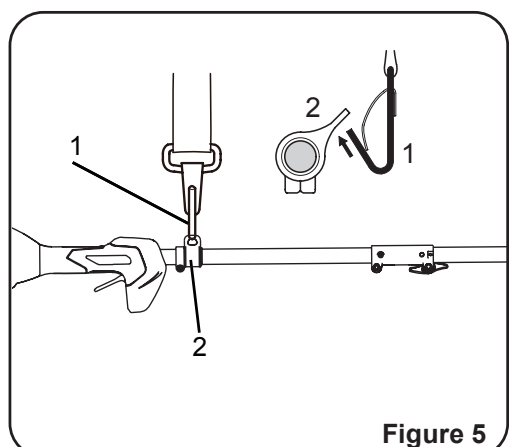
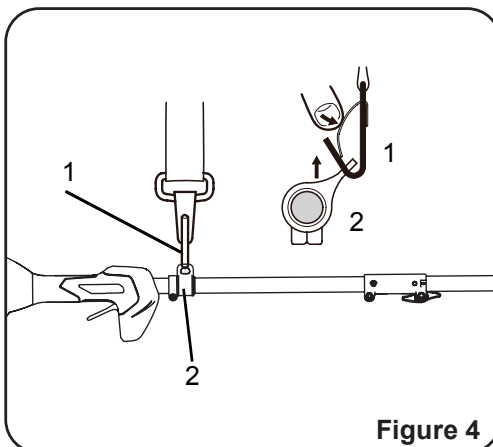
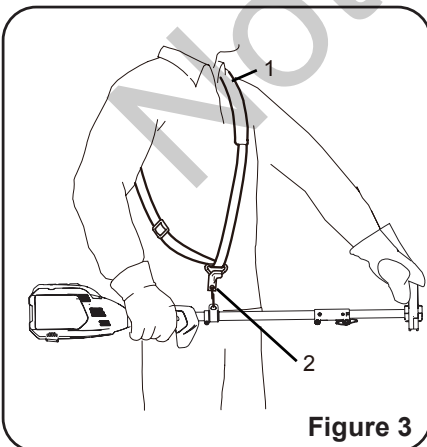
1. Put on the shoulder strap (1).
2. Adjust the length of the strap so that the carabiner (2) is about a hand's width below your right hip.

ATTACHING MACHINE TO SHOULDER STRAP See figure 4

1. Attach the carabiner (1) to the carrying ring (2) on the drive tube.

DETACHING MACHINE FROM SHOULDER STRAP See figure 5

1. Press down the bar on the carabiner (1) and pull the carrying ring (2) out of the carabiner.



OPERATION

BATTERY

⚠ WARNING

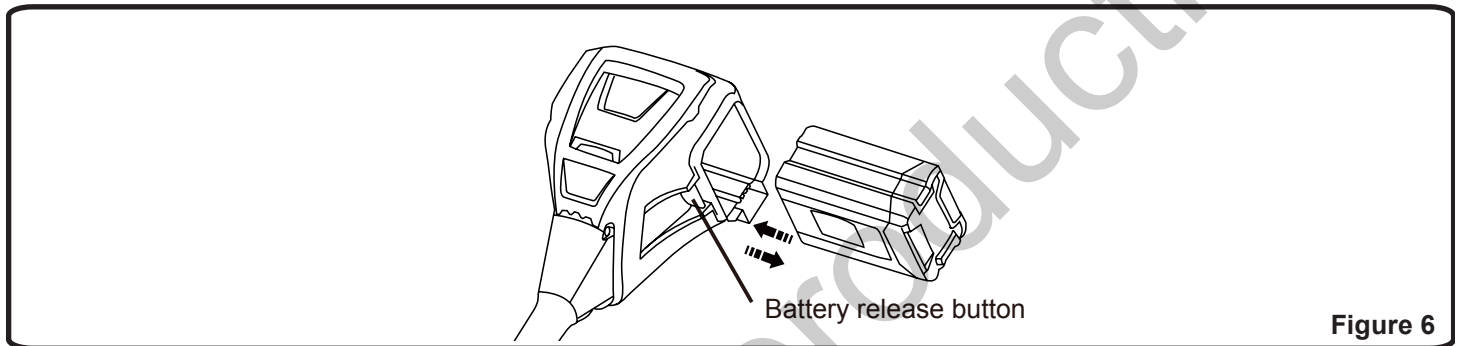
Do not allow familiarity with this product to make you careless. Remember that a careless fraction of a second is sufficient to inflict serious injury.

INSTALLING THE BATTERY PACK See figure 6

- Insert battery pack into tool until an audible click is heard.

REMOVING THE BATTERY PACK See figure 6

- Depress the battery release button in the back of the battery pack and pull battery pack out of tool.



⚠ WARNING

Do not use any attachments or accessories not recommended by the manufacturer of this product. The use of attachments or accessories not recommended can result in serious personal injury.

⚠ WARNING

Follow these instructions in order to avoid injury and to reduce the risk of electric shock or fire: 1. Replace the battery or the charger immediately if the battery case or charger cord is damaged. 2. Read, understand, and follow the instructions contained in the charger manual.

STARTING AND STOPPING THE POLE SAW See figure 7

To start:

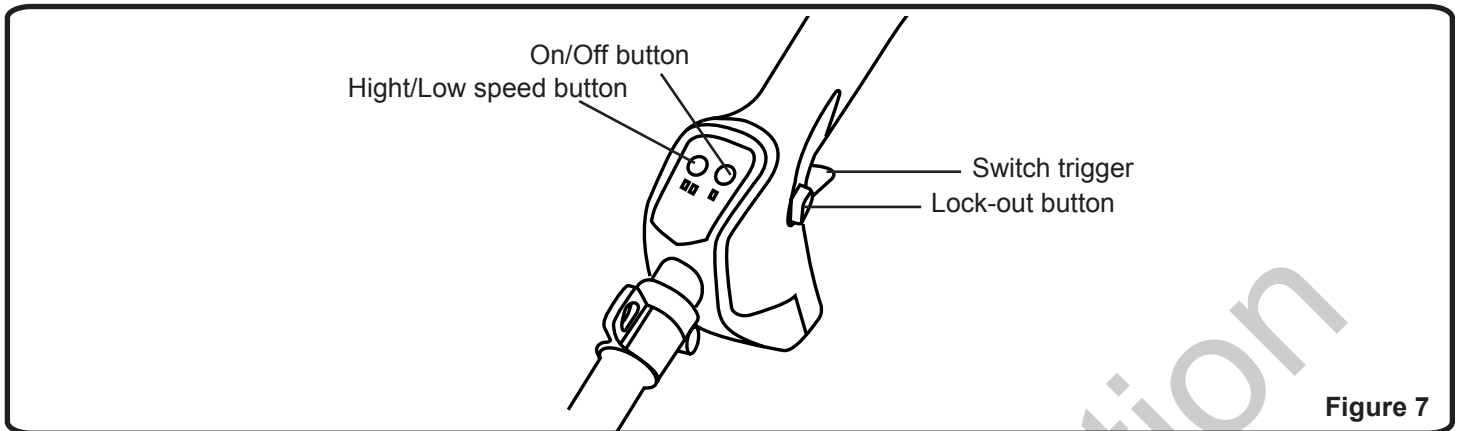
- Press the on/off button.
- Depress the lock-out button and squeeze the switch trigger.
- Press high speed button to increase speed depending upon grass condition. Two LED's will illuminate above the high speed button indicating that the pole saw is in the high speed setting.

To stop:

- Release the switch trigger.
- Press the on/off button again to turn the unit off.

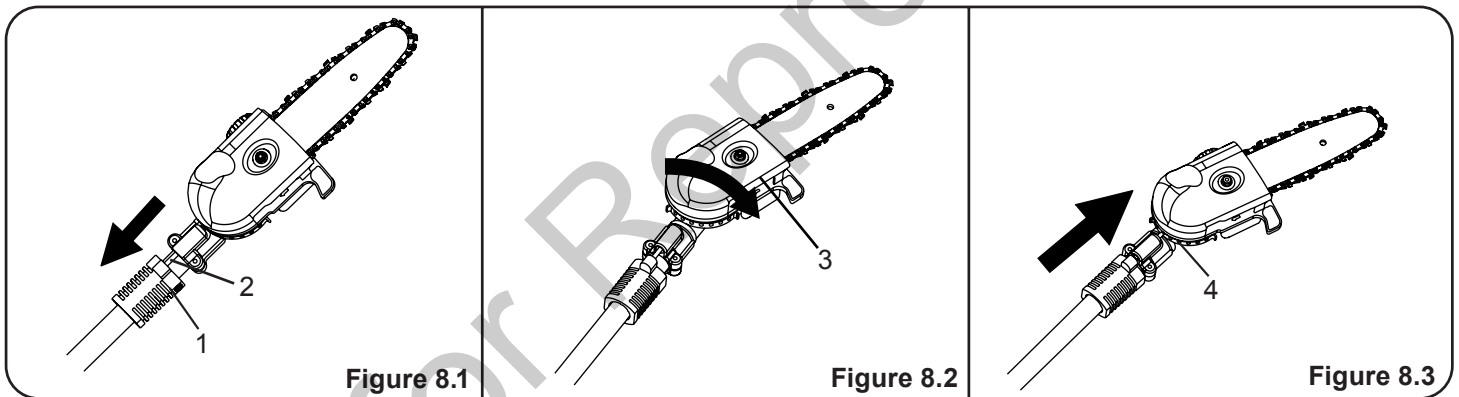
Note: The unit will power itself down after being idle for 1 minute.

OPERATION



ADJUSTING THE ANGLE OF POLE SAW HEAD See figure 8

1. Pull the angle adjustment handle (1) down. The angle adjustment lock shaft (2) will down at the same time.
2. Rotate the power output head (3) clockwise to adjust the cutting angle.
3. The angle can be adjusted between 0 and 90 degrees.
4. When the angle is well adjusted, release the angle adjustment handle (1).
5. The angle adjustment lock shaft directly insert into the angle adjustment positioning hole (4).



PREPARATION FOR CUTTING

- Wear non-slip gloves for maximum grip and protection.
- Maintain a proper grip on the unit whenever the motor is running. Use your right hand to firmly grip the rear handle while your left hand has a firm grip on the pole shaft.
- Hold unit firmly with both hands. Always keep your left hand on the pole shaft and your right hand on the rear handle, so your body is to the left of the chain line. Never use a left-handed (cross-handed) grip, or any stance that places your body or arm across the chain line.
- Never stand directly under the limb you are cutting.
- Be certain the collars are fully tightened before operating equipment; check them periodically for tightness during use to avoid serious injury.

BASIC CUTTING PROCEDURE See figure 9

Follow the steps below to prevent damage to tree or shrub bark. Do not use a back-and-forth sawing motion.

- Make a shallow first cut (1/4 of limb diameter) on the underside of the limb close to the main limb or trunk.
- Make a second cut from the top side of the limb outboard from the first cut. Continue the cut through the limb until the limb separates from the tree. Be prepared to balance the weight of the tool when the limb falls.
- Make a final cut close to trunk.

OPERATION

NOTE: For second and final cuts (from top of limb or branch), hold front cutting guide against the limb being cut. This will help steady the limb and make it easier to cut. Allow chain to cut for you; exert only light down-ward pressure. If you force the cut, damage to the bar, chain, or motor can result.

- Release the trigger as soon as the cut is completed. Failure to follow proper cutting procedures will result in the bar and chain binding and becoming pinched or trapped in the limb. If this should happen:
- Stop the motor and remove the battery from the polesaw.
- If the limb can be reached from the ground, lift the limb while holding the saw. This should release the “pinch” and free the saw.
- If the saw is still trapped, call a professional for assistance.

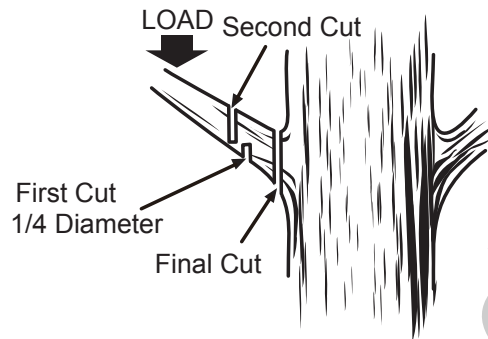


Figure 9

LIMBING AND PRUNING *See figure 10*

- This unit is designed for trimming small branches and limbs up to 6 in. (15.2 cm) in diameter. For best results, observe the following precautions:
- Plan the cut carefully. Be aware of the direction in which the branch will fall.
- Branches may fall in unexpected directions. Do not stand directly under the branch being cut.
- The most typical cutting application is to position the unit at an angle of 60° or less, depending on the specific situation. As the angle of the polesaw shaft to ground increases the difficulty of making the first cut (from underside of limb) increases.
- Remove long branches in several stages.
- Cut lower branches first to allow the top branches more room to fall.
- Work slowly, keeping both hands on the saw with a firm grip. Maintain secure footing and balance.
- Keep the tree between you and the chain while limbing. Cut from the side of the tree opposite of the branch you are cutting.
- Do not cut from a ladder; this is extremely dangerous. Leave this operation for professionals.
- Do not make the flush cut next to the main limb or trunk until you have cut off the limb further out to reduce the weight.
- Following proper cutting procedures will prevent stripping the bark from the main member.
- Do not use the polesaw for felling or bucking.
- To prevent electrocution, do not operate within 50 ft. (15 m) of overhead electrical lines.
- Keep bystanders at least 50 ft. (15 m) away.

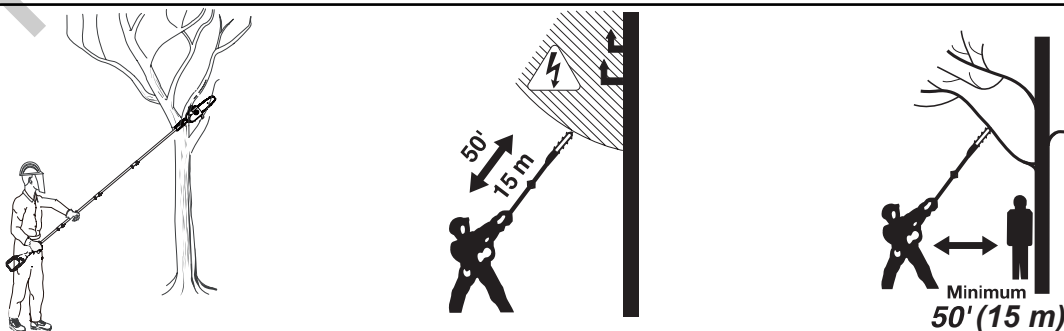


Figure 10

BATTERY & CHARGER

CHARGING PROCEDURE

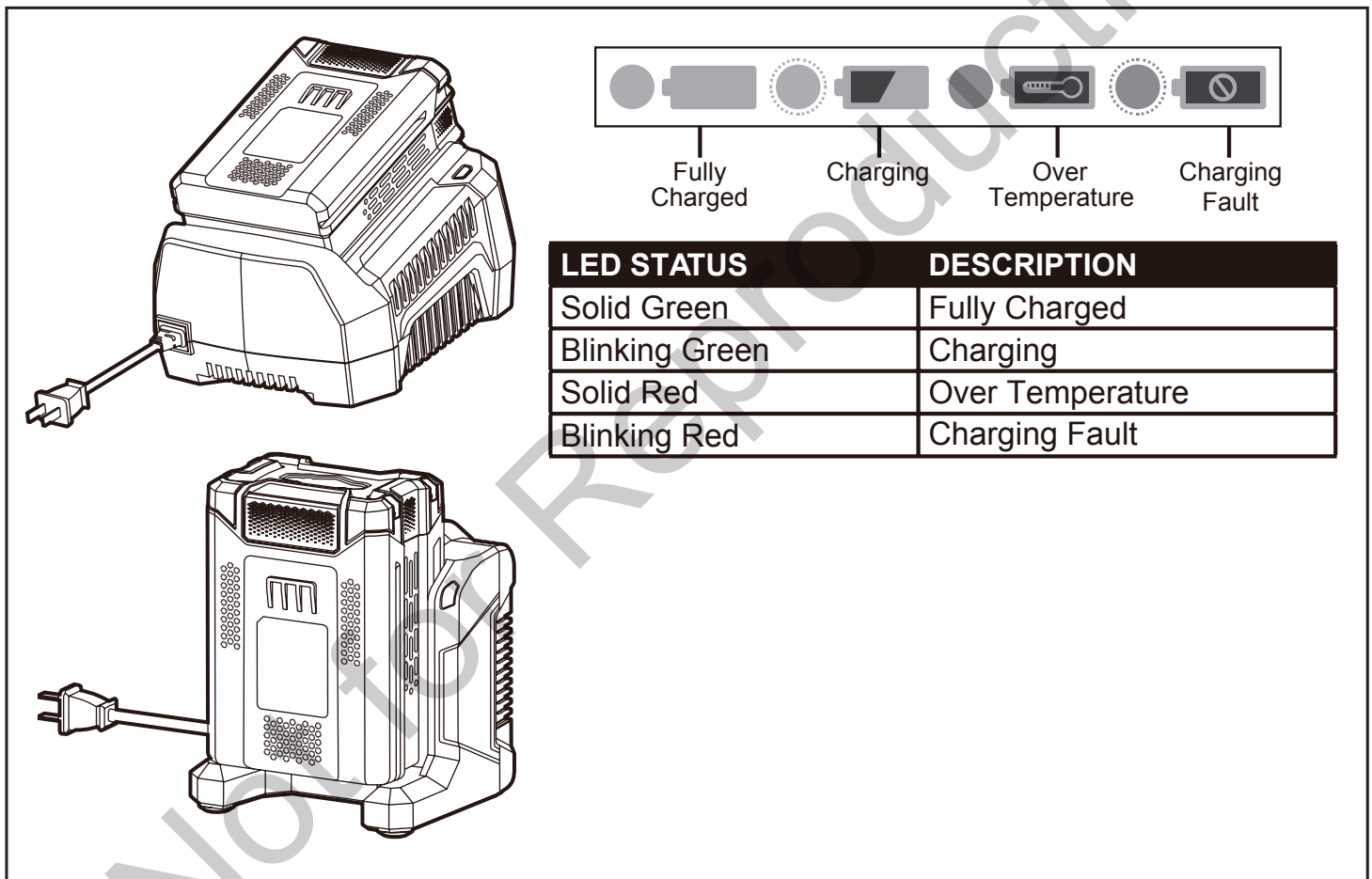
NOTE: The battery is not shipped fully charged. It is recommended to fully charge before first use to ensure that maximum run time can be achieved. This lithium-ion battery will not develop a memory and may be charged at any time.

Low voltage charging:

If the battery has been stored with little to no charge for a long period of time, the charger will go into recovery mode, which will take 20 hrs to fully charge the battery. This will enhance the life of the battery. Once it is fully charged, the next charge will return to standard charging.

1. Plug the charger into an AC power outlet.
2. Insert the battery pack into the charger.

This is a diagnostic charger. The Charger LED Lights will illuminate in specific order to communicate the current battery status. They are as follows:



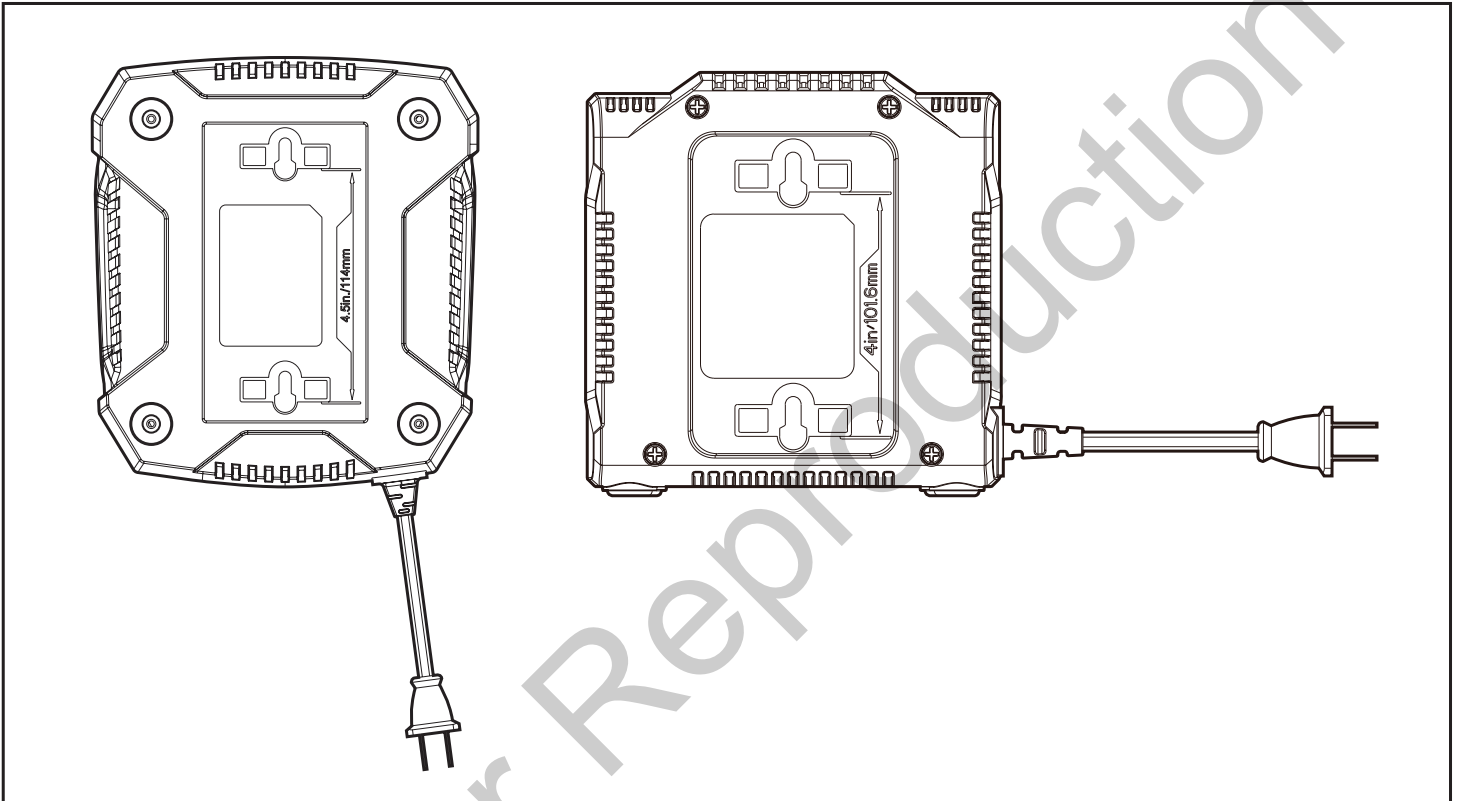
False defect note:

When the battery is inserted into the charger and the status LED blinks RED, remove the battery from the charger for 1 minute, then reinsert. If the status LED blinks GREEN, then the battery is properly charging. If the status LED is still blinking RED, remove the battery and unplug the charger for 1 minute. After 1 minute, plug in the charger and reinsert the battery. If the status LED blinks GREEN, then the battery is properly charging. If the status LED is still blinking RED, the battery is defective and needs to be replaced.

BATTERY & CHARGER

CHARGER MOUNTING

1. This charger can be installed hanging on a wall using two #8 screws (not included).
2. Locate the placement for the charger to be wall mounted.
3. If fastening to wood studs use 2 wood screws (not included).
4. Drill two holes on center 4.5 in. apart ensuring that they are vertically aligned.
5. If fastening to drywall use wall anchors (not included) and screws to secure the charger to the wall.
6. This power unit is intended to be correctly orientated in a vertical or floor mount position.



NOTE: If the battery and the charger won't be used for a long time, remove the battery from the charger and pull out the AC power plug.

MAINTENANCE

⚠ WARNING

When servicing, use only identical replacement parts. Use of any other parts may create a hazard or cause product damage.

⚠ WARNING

Before inspecting, cleaning or servicing the unit, stop the motor, wait for all moving parts to stop, and remove the battery. Failure to follow these instructions can result in serious personal injury or property damage.

GENERAL MAINTENANCE

Avoid using solvents when cleaning plastic parts. Most plastics are susceptible to damage from various types of commercial solvents and may be damaged by their use. Use clean cloths to remove dirt, dust, oil, grease, etc.

⚠ WARNING

Do not at any time let brake fluids, gasoline, petroleum-based products, penetrating oils, etc., come in contact with plastic parts. Chemicals can damage, weaken, or destroy plastic, which may result in serious personal injury.

ADJUSTING CHAIN TENSION *See figure 11*

Always switch off the machine and remove the battery before checking or adjusting chain tension. Wear protective gloves while handling the chain, bar or areas around the chain.

1. Untighten the side cover lock nuts (1) slightly by turning them counterclockwise. You do not need to remove the side cover (2) in order to adjust the chain tension.
2. Lift the tip of the guide bar up to check for sag. Release the tip of the guide bar and turn the chain adjustment screw 1/2 turn clockwise. Repeat this process until sag does not exist.
3. Hold the tip of the guide bar up and tighten the chain cover lock nuts by turning them with the wrench.
4. The chain is correctly tensioned when there is no sag on the underside of the guide bar, the chain is snug, but it can be turned by hand without binding.

NOTE: During normal saw operation, the temperature of the chain increases. The drive links of a correctly tensioned warm chain will hang approximately 1/16 in. (1,58 mm) out of the bar groove.

NOTE: New chains tend to stretch; check the chain tension frequently and tension as required.

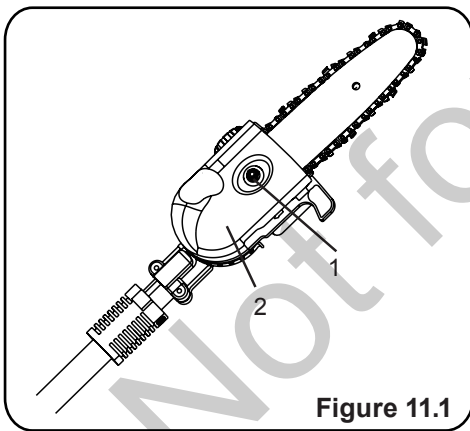


Figure 11.1

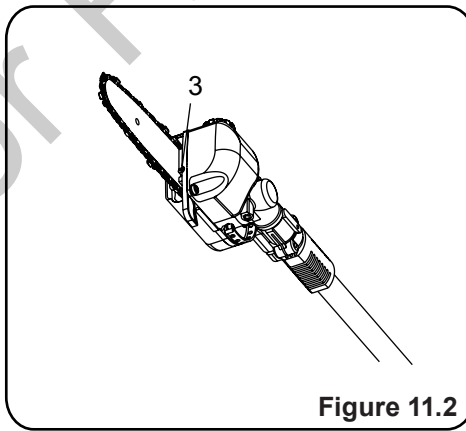


Figure 11.2

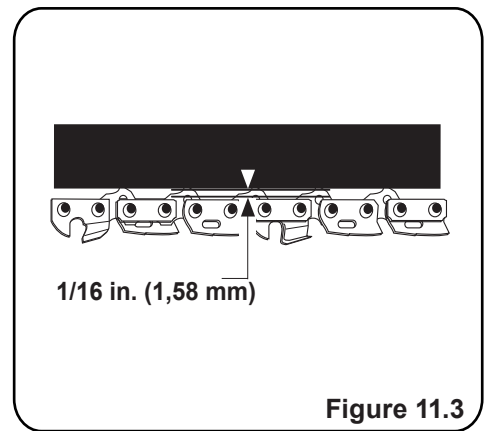


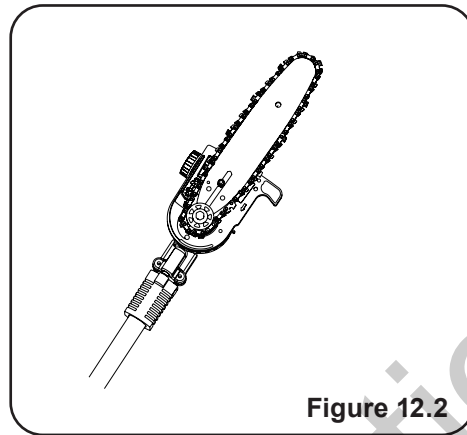
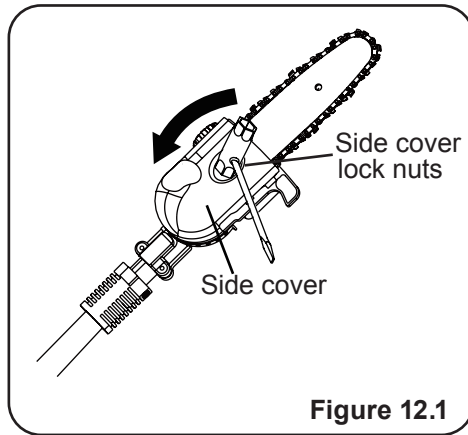
Figure 11.3

BAR AND CHAIN REPLACEMENT *See figure 12*

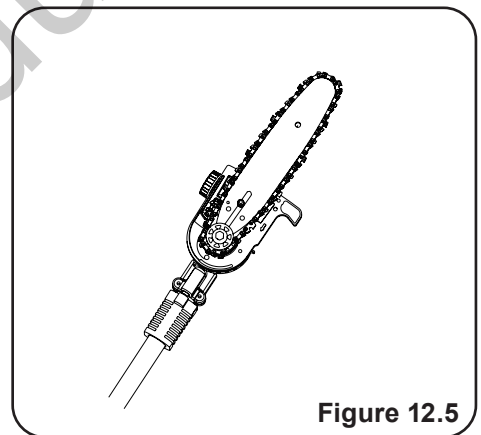
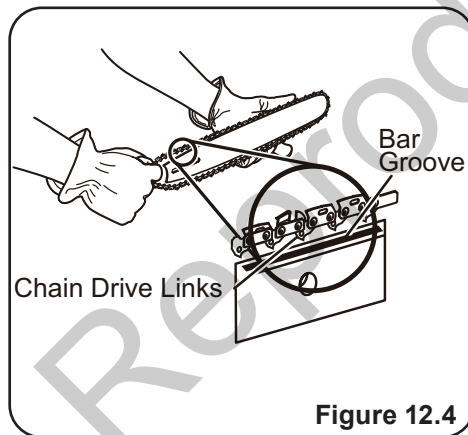
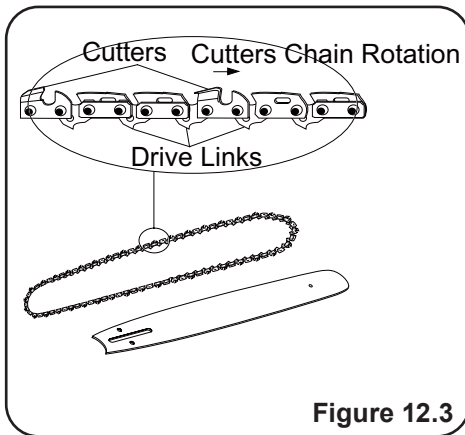
The user should know how to assemble the guide bar and chain. Check the chain tensioning and add oil as described in this manual before each operation.

1. Remove the battery from the unit. Wear protective gloves.
2. Unscrew the side cover lock nuts.
3. Remove the side cover.

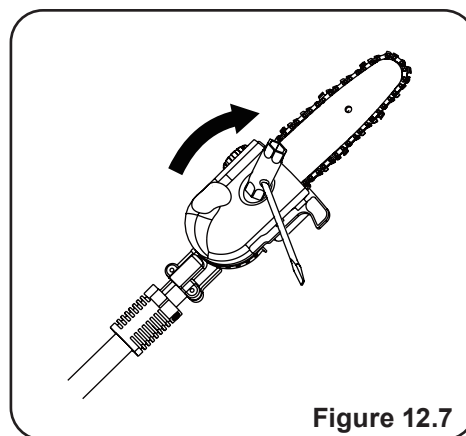
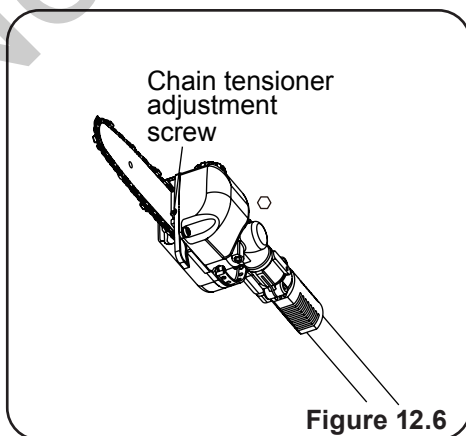
MAINTENANCE



4. The chain should face in the direction of chain rotation. If they face backwards, turn the loop over.
5. Hold the chain in position on the bar and place the loop around the sprocket and make sure it is correctly mounted. Make sure the bar hole fits well with bolt for chain tension.



6. Replace the side cover, turn the chain tension adjustment screw clockwise until the chain is properly tensioned. The guide bar must then be pushed upwards and check chain tension again. Do not tension the chain too tight.
 7. After the chain is well-tensioned, tighten the nut again.
 8. Once the chain is well tensioned, tighten the side cover lock nuts. Start with a new chain, allowing it to run-in for 2-3 minutes.
- NOTE:** If the chain is too tight, it will not rotate. Loosen the chain cover lock nuts slightly and turn the chain adjustment screw 1/4 turn counterclockwise. Lift the tip of the guide bar up and retighten the chain cover lock nuts. Ensure that the chain will rotate without binding.



MAINTENANCE

CHAIN OILER *See figure 13*

- Use a lubricant that is designed for chains and chain oilers and is formulated to perform over a wide temperature range with no dilution required.
- Remove the cap (1) and carefully pour bar and chain lubricant into the bar lube reservoir (2).
- Replace the cap (1) and tighten securely.
- Check and refill the bar lube reservoir (2) every time the polesaw is used.

NOTE: If chain is too tight, it will not rotate. Loosen the bar cover knob slightly and turn adjusting screw 1/4 turn counterclockwise. Lift the tip of the bar up and retighten bar cover knob.

NOTE: Do not use dirty, used, or otherwise contaminated lubricants. Damage may occur to the oil pump, bar, or chain.

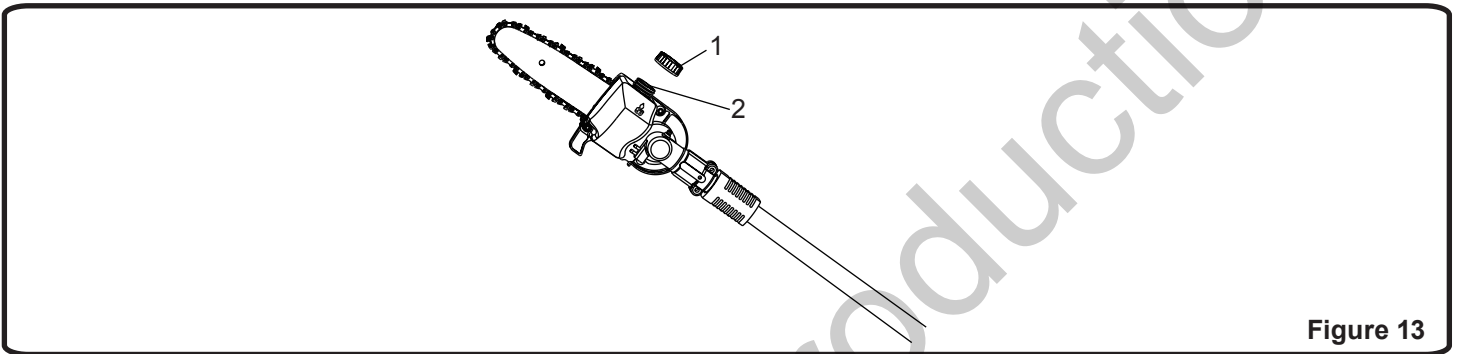


Figure 13

CHAIN MAINTENANCE *See figure 14*

For smooth and fast cutting, the chain needs to be maintained properly. The following conditions indicate that the chain requires sharpening:

- Wood chips are small and powdery.
- Chain must be forced through the wood during cutting.
- Chain cuts to one side.

During maintenance of the chain, consider the following:

- Improper filing angle of the side plate can increase the risk of a severe kickback.
- Depth gauge (or raker clearance) setting determines the height the cutter enters the wood and the size of the wood chip that is removed. Too much clearance increases the potential for kickback. Too little clearance decreases the size of the wood chip thus decreasing the chain's cutting ability.
- If cutter teeth have hit hard objects such as nails or stones, or have been abraded by mud or sand on the wood, have service dealer sharpen chain.

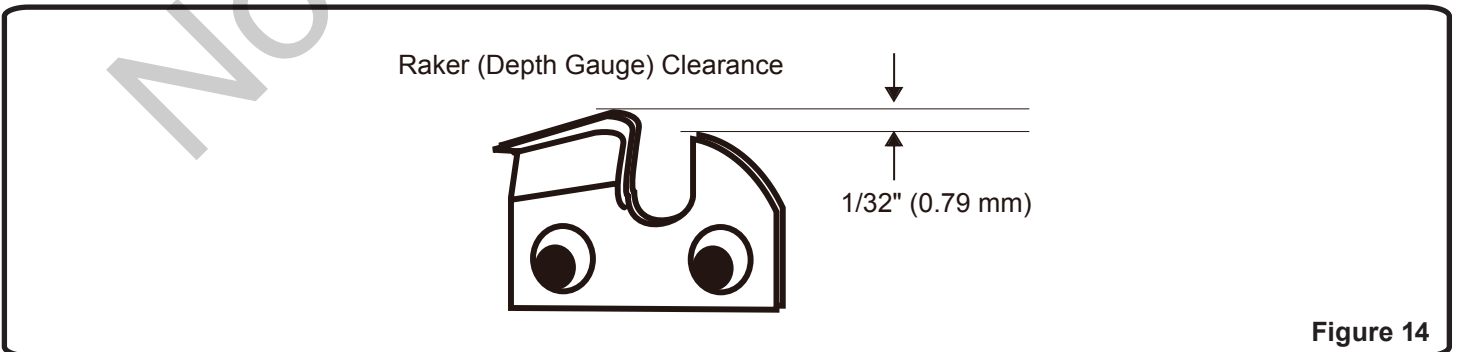


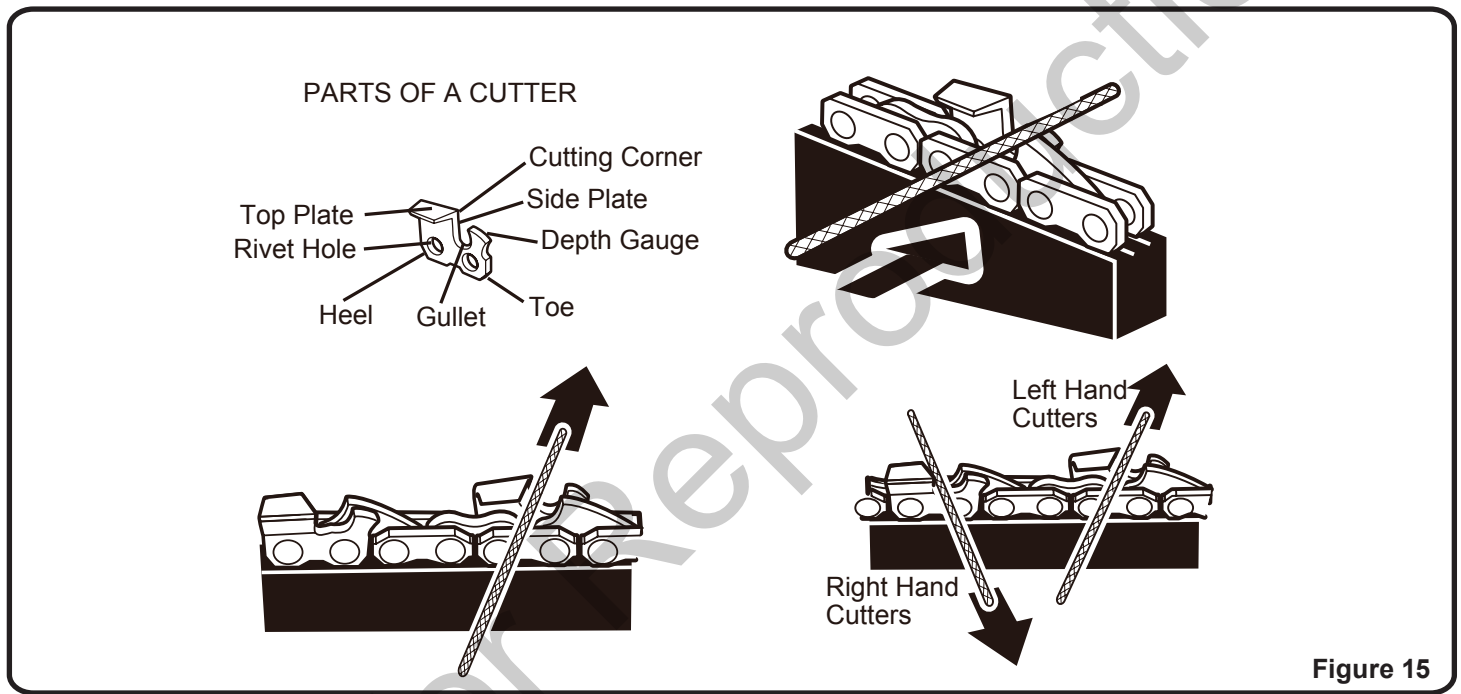
Figure 14

MAINTENANCE

HOW TO SHARPEN THE CUTTERS *See figure 15*

Be careful to file all cutters to the specified angles and to the same length, as fast cutting can be obtained only when all cutters are uniform.

- Tighten the chain tension enough that the chain does not wobble. Do all of your filing at the midpoint of the bar. Wear gloves for protection.
- Use a round file and holder.
- Keep the file level with the top plate of the tooth. Do not let the file dip or rock.
- Using light but firm pressure, stroke towards the front corner of the tooth. Lift file away from the steel on each return stroke.
- Put a few firm strokes on every tooth. File all left hand cutters in one direction. Then move to the other side and file the right hand cutters in the opposite direction. Occasionally remove filings from the file with a wire brush.



▲ WARNING

Dull or improperly sharpened chain can cause excessive motor speed during cutting which may result in severe motor damage.

▲ CAUTION

Improper chain sharpening increases the potential of kickback. Failure to replace or repair damaged chain can cause serious injury.

ENVIRONMENTALLY SAFE BATTERY DISPOSAL

The following toxic and corrosive materials are in the batteries used in this tool battery pack: **Lithium-Ion, a toxic material.**



▲ W A R N I N G

Toxic materials must be disposed of in a specified manner in order to prevent contamination of the environment. Before disposing of damaged or worn out Lithium-Ion battery packs, contact your local waste disposal agency for information and specific instructions. Take the battery to a local recycling and/or disposal centre that is certified for disposal. If the battery pack cracks or breaks, whether it leaks or not, do not recharge it and do not use it. Dispose of it and replace it with a new battery pack. **DO NOT ATTEMPT TO REPAIR IT!**

Follow these instructions in order to avoid injury and the risk of fire, explosion, or electric shock, and to avoid damage to the environment:

- Cover the battery's terminals with heavy-duty adhesive tape.
 - Do not attempt to remove or destroy any of the components of the battery pack.
 - Do not attempt to open the battery pack.
 - If a leak develops, the electrolytes that are released are corrosive and toxic. Do not get the solution in the eyes or on the skin, and do not swallow it.
 - Do not place batteries in regular household trash.
 - DO NOT incinerate batteries.
 - DO NOT place batteries where they will become part of any waste landfill or municipal solid waste stream.
 - Dispose of batteries at a certified recycling or disposal center.
-

TROUBLESHOOTING

PROBLEM	POSSIBLE CAUSE	SOLUTION
Polesaw fails to turn on.	The poles are not assembled correctly.	Reassemble the poles according to the instructions.
	No electrical contact between the polesaw and battery.	To secure the battery, make sure the latches on the battery compartment snap into place.
	The battery pack is depleted.	Charge the battery pack.
	The lock-off lever and trigger are not depressed simultaneously.	Press down the lock-off lever and hold it, then depress the trigger to turn on the pole saw.
	The battery and power tool is too hot or too cold.	Refer to the battery and charger maintenance part in the manual.
Bar and chain running hot and smoking.	No oil in the oil tank.	Refill oil into the oil tank.
	The discharge port is blocked by debris.	Refer to the manual to remove the bar and clean out the debris.
	Inlet opening in inner oil tank is blocked by debris.	Clean the oil tank, and refill with clean bar and chain lubricant.
	The sprocket is stuck and clogged with debris.	Clean the sprocket and refill with clean bar and chain lubricant.
The chain and bar running too hot and cannot cut.	Check chain tension for overtightened or loose condition.	Refer to Re-tensioning the saw chain in the manual.
	Dull chain.	Sharpen or replace the chain.
	Chain on backwards.	Refer to Replacing the Bar and Chain assembly earlier in this manual.
Motor running, but cutting abnormal.	Motor stops after about 3 seconds.	Recharge the battery.
	When using the polesaw under load, it stops.	Release trigger. Restart the polesaw. Do not force the polesaw. Refer to the manual for proper use.
	Battery is not charged.	Charge the battery. Refer to the battery and charger manual for correct charging procedures.
	Lack of bar and chain lubricant can cause increased friction. Chain needs to be properly maintained.	Make sure the polesaw always has bar and chain lubricant.
	Incorrect battery storage temperature.	Allow the battery pack to cool until the temperature drops to room temperature.

WARRANTY

Briggs & Stratton warrants that, during the warranty period specified below, it will repair or replace, free of charge, any part that is defective in material or workmanship or both. Transportation charges on product submitted for repair or replacement under this warranty must be borne by purchaser. This warranty is effective for and is subject to the time periods and conditions stated below. For warranty service, find the nearest Authorized Service Dealer in our dealer locator map at www.SNAPPER.com. The purchaser must contact the Authorized Service Dealer, and then make the product available to the Authorized Service Dealer for inspection and testing.

There is no other express warranty. Implied warranties, including those of merchantability and fitness for a particular purpose, are limited to the warranty period listed below, or to the extent permitted by law. Liability for incidental or consequential damages are excluded to the extent exclusion is permitted by law. Some states or countries do not allow limitations on how long an implied warranty lasts, and some states or countries do not allow the exclusion or limitation of incidental or consequential damages, so the above limitation and exclusion may not apply to you. This warranty gives you specific legal rights and you may also have other rights which vary from state to state or country to country.**

WARRANTY PERIOD

	Consumer Use	Commercial Use
Equipment	60 months	90 days
Battery and Battery Charger	24 months	none

** In Australia - Our goods come with guarantees that cannot be excluded under the Australian Consumer Law. You are entitled to a replacement or refund for a major failure and for compensation for any other reasonably foreseeable loss or damage. You are also entitled to have the goods repaired or replaced if the goods fail to be of acceptable quality and the failure does not amount to a major failure. For warranty service, find the nearest Authorized Service Dealer in our dealer locator map at BRIGGSandSTRATTON.COM, or by calling 1300 274 447, or by emailing or writing to salesenquires@briggsandstratton.com.au, Briggs & Stratton Australia Pty Ltd, 1 Moorebank Avenue, NSW, Australia, 2170.

The warranty period begins on the date of purchase by the first retail or commercial consumer. "Consumer use" means personal residential household use by a retail consumer. "Commercial use" means all other uses, including use for commercial, income producing or rental purposes. Once a product has experienced commercial use, it shall thereafter be considered as a commercial use product for purposes of this warranty.

To ensure prompt and complete warranty coverage, register your product at the website shown above or at www.onlineproductregistration.com.

Save your proof of purchase receipt. If you do not provide proof of the initial purchase date at the time warranty service is requested, the manufacturing date of the product will be used to determine the warranty period. Product registration is not required to obtain warranty service on Briggs & Stratton products.

ABOUT YOUR WARRANTY

Warranty service is available only through Snapper Authorized Service Dealers. This warranty covers only defects in materials or workmanship. It does not cover damage caused by improper use or abuse, improper maintenance or repair, normal wear and tear, or stale or unapproved fuel.

Improper Use and Abuse - The proper, intended use of this product is described in the Operator's Manual. Using the product in a way not described in the Operator's Manual or using the product after it has been damaged will not be covered under this warranty. Warranty coverage will also not be provided if the serial number on the product has been removed or the product has been altered or modified in any way, or if the product has evidence of abuse such as impact damage or water/chemical corrosion damage.

Improper Maintenance or Repair - This product must be maintained according to the procedures and schedules provided in the Operator's Manual, and serviced or repaired using genuine Briggs & Stratton parts or equivalent. Damage caused by lack of maintenance or use of non-original parts is not covered by warranty.

WARRANTY

Normal Wear and Tear - Like most mechanical devices, your unit is subject to wear even when properly maintained. This warranty does not cover repairs when normal use has exhausted the life of a part or the equipment. Maintenance and wear items such as filters, belts, cutting blades, and brake pads (except engine brake pads) are not covered by warranty due to wear characteristics alone, unless the cause is due to defects in material or workmanship.

Other Exclusions - This warranty excludes damage due to accident, abuse, modifications, alterations, improper servicing, freezing or chemical deterioration. Attachments or accessories that were not originally packaged with the product are also excluded. There is no warranty coverage on equipment used for primary power in place of utility power or on equipment used in life support applications. This warranty does not include used, reconditioned, second-hand, or demonstration equipment or engines. This warranty also excludes failures due to acts of God and other force majeure events beyond the manufacturer's control.

Not for Reproduction



**Briggs & Stratton Corporation
P.O. Box 702
Milwaukee, WI 53201**

TOLL-FREE HELPLINE: 1-800-317-7833