



RESIDENTIAL MOLDED WOOD TOILET SEAT

MODEL #

COLOR #

NW209E10

DESCRIPTION:

Closed front with cover, round, molded wood, multi-coat enamel finish toilet seat made to fit American Standard® Norwall F2090 toilets. Features two color-matched bumpers, color-matched plastic, adjustable hinges with non-corrosive plastic bolts and nuts.

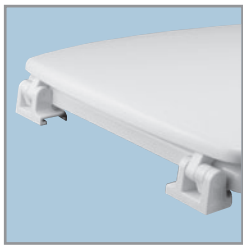
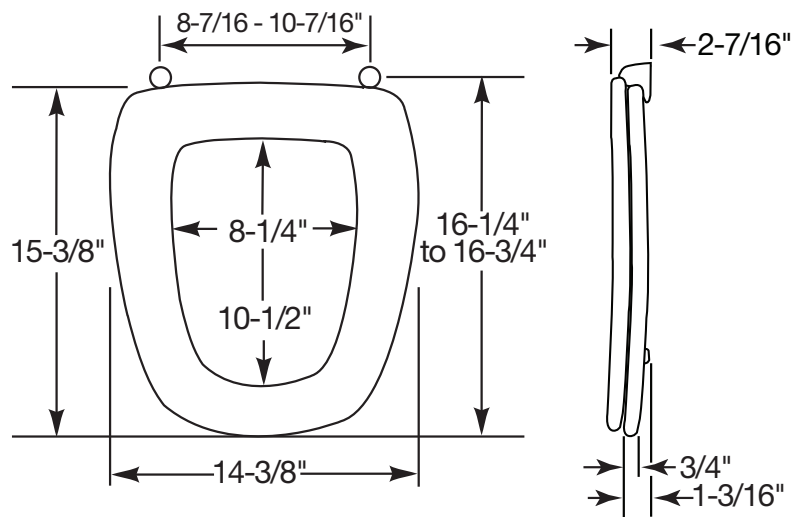
SPECIFICATIONS:

Size:	Round
Material:	Molded Wood
Style:	Closed Front with Cover
Bumpers:	Two
Hinges:	Plastic Adjustable
Fastening System:	Non-Corrosive Bolts and Nuts

FEATURES:

- Fits American Standard® Norwall Bowls
- Adjustable Hinges
- Non-Corrosive Bolts and Nuts

DIMENSIONS:



PLASTIC ADJUSTABLE
HINGES



NON-CORROSIVE BOLTS
AND NUTS

