



# COMMERCIAL HEAVY-DUTY PLASTIC TOILET SEAT

MODEL #

COLOR #

**3155CT/3155SSCT**

## DESCRIPTION:

Open front less cover, elongated, heavy-duty, injection molded solid plastic toilet seat. Features four molded-in bumpers, non self-sustaining (3155CT) or self-sustaining (3155SSCT) check hinges with non-corrosive 300 Series stainless steel posts and pintles and STA-TITE® Commercial Fastening System™. Seat contains DuraGuard® Antimicrobial Built-In Seat Protection™. This seat complies with American National Standard Z124.5 Toilet (Water Closet) Seats as a class Commercial Heavy Duty.

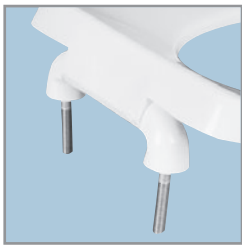
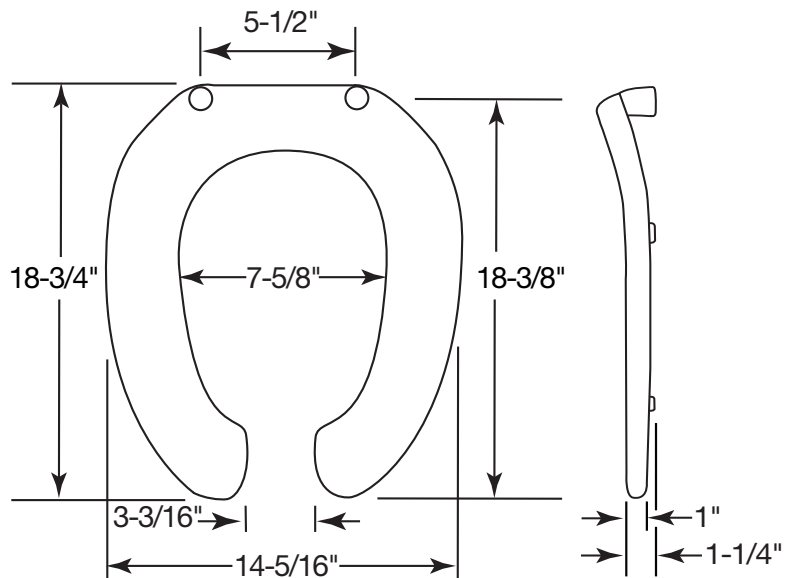
## SPECIFICATIONS:

Size:	Elongated
Material:	Plastic
Style:	Open Front less Cover
Bumpers:	Four
Hinges:	Plastic Non Self-Sustaining (3155CT) or Self-Sustaining (3155SSCT) with 300 Series Stainless Steel Posts and Pintles
Fastening System:	STA-TITE® Commercial Fastening System™

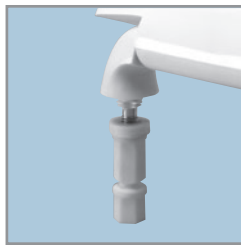
## FEATURES:

- STA-TITE® Commercial Fastening System™
- DuraGuard® Antimicrobial Built-In Seat Protection™
- Non-Corrosive 300 Series Stainless Steel Posts and Pintles

## DIMENSIONS:



PLASTIC HINGES WITH STAINLESS STEEL POSTS AND PINTLES



STA-TITE® COMMERCIAL FASTENING SYSTEM™

Proudly Made in the USA

Bemis Manufacturing Co., Sheboygan Falls, WI 53085  
www.BemisSeats.com

Phone: 920-467-4621 | 800-558-7651 Fax: 920-467-8573

©2010 0B7012296