



MEDIC-AID® HEAVY-DUTY PLASTIC TOILET SEAT

MODEL #

COLOR #

2L2055T

DESCRIPTION:

Open front less cover, round, heavy-duty, injection molded solid plastic toilet seat. Features two large 2" lift bumpers, check hinges with non-corrosive 300 Series stainless steel posts and pintles and STA-TITE® Commercial Fastening System™. Seat contains DuraGuard® Antimicrobial Built-In Seat Protection™. This seat complies with American National Standard Z124.5 Toilet (Water Closet) Seats as a class Commercial Heavy Duty.

SPECIFICATIONS:

Size: Round
Material: Plastic
Style: Open Front less Cover
Bumpers: Two
Hinges: Plastic with 300 Series Stainless Steel Posts and Pintles
Fastening System: STA-TITE® Commercial Fastening System™

FEATURES:

STA-TITE® Commercial Fastening System™

DuraGuard® Antimicrobial Built-In Seat Protection™

2" Lift Hinges and Bumpers

Non-Corrosive 300 Series Stainless Steel Posts and Pintles

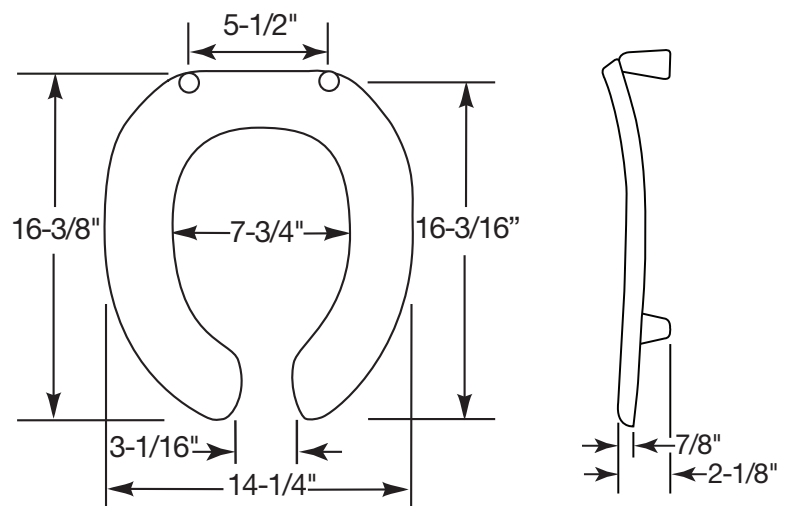
DIMENSIONS:



2" LIFT HINGES
AND BUMPERS



STA-TITE® COMMERCIAL
FASTENING SYSTEM™



Proudly Made in the USA

Bemis Manufacturing Co., Sheboygan Falls, WI 53085
www.BemisSeats.com

Phone: 920-467-4621 | 800-558-7651 Fax: 920-467-8573
©2010 0B7012313