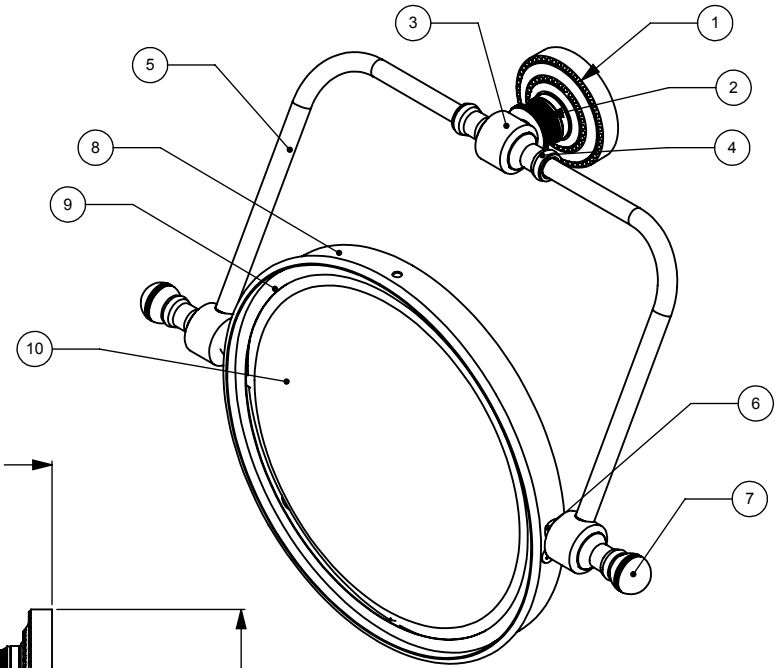
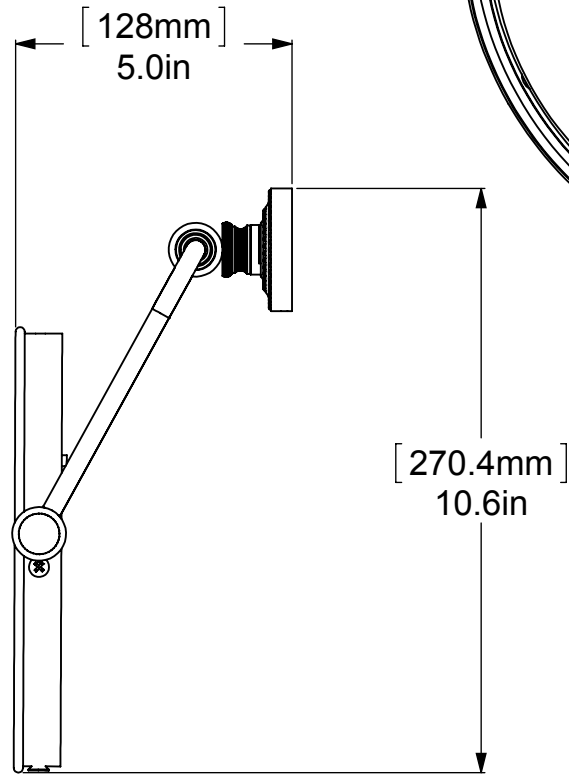
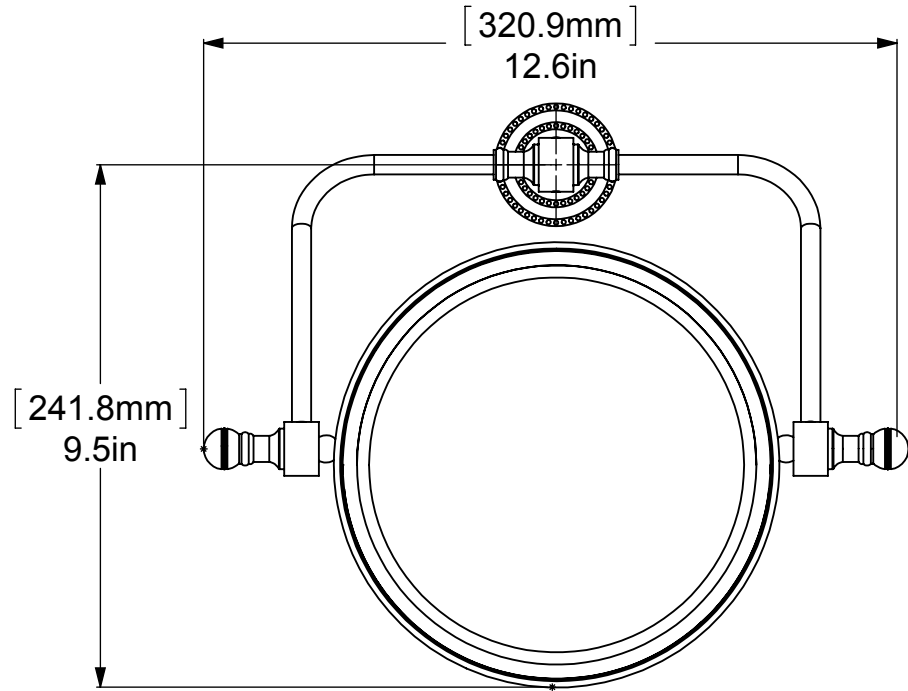


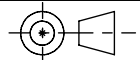
ITEM NO.	P/N	Description	QTY.
1	BPDT	BACKPLATE	1
2	NKSL-58	SUPPORT	1
3	HB1T-1	HUB	3
4	PSTD8-78	HUB SUPPORT	4
5	RDM-4-ARM	ARM	2
6	BL1TL-12	INSIDE BALL	2
7	BLDT1T-34	END BALL	2
8	MROR34-8	OUTSIDE FRAME	1
9	MRIN34-8	INSIDE FRAME	1
8	MIRROR	MIRROR	1




UNLESS OTHERWISE STATED

.X	±.3mm
.XX	±.15mm
.XXX	±.008mm

COPYRIGHT © Allied Brass 2019



THIRD ANGLE PROJECTION

DRAWN	2-21-19	I.M	MATERIAL:	BRASS	FINISH	TBD
CHECKED	2-21-19	P.D	DESCRIPTION:		QUANTITY	TBD
APPROVED	2-21-19	R.A	Wall Mounted Swivel Make-Up Mirror		DRAWING No.	REV
					RDM-4	0
				SCALE	1:3.5	SHEET: 01 A4