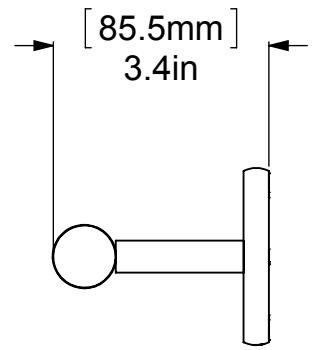
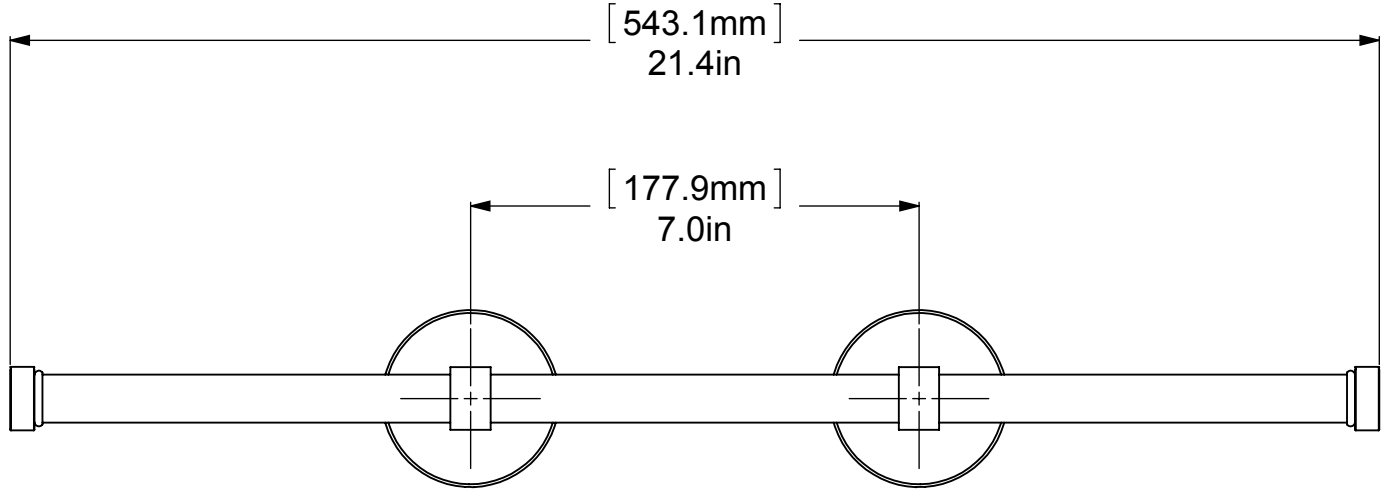
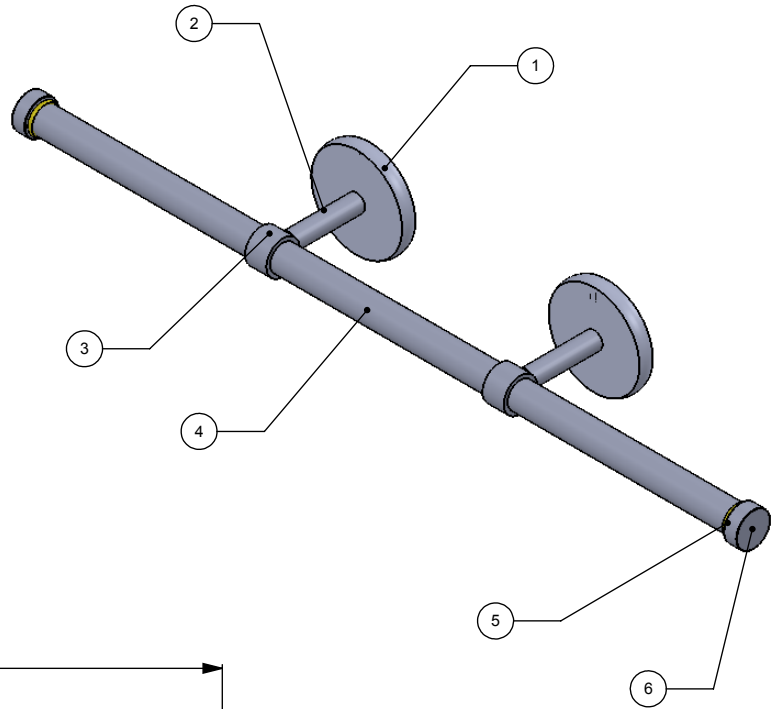


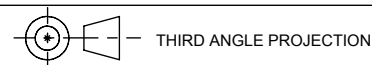
ITEM NO.	P/N	Description	QTY.
1	BPRD	BACKPLATE	2
2	TU12-2	Neck	2
3	HB1T-1	HUB	2
4	TU34-6.5	MID TUBE	3
5	CRRD-34	CHECK RING	2
6	CARD-1	END CAP	2




UNLESS OTHERWISE STATED

.X	±.3mm
.XX	±.15mm
.XXX	±.008mm

COPYRIGHT © Allied Brass 2016



DRAWN	6/14/2016	I.M
CHECKED	6/14/2016	P.D
APPROVED	6/14/2016	R.A

MATERIAL:	BRASS
DESCRIPTION:	
<p>GUEST TOWEL BAR</p>	

FINISH	TBD
QUANTITY	TBD
DRAWING No.	REV
P1000-GT-3	0
SCALE	1:3
SHEET: 01	A4