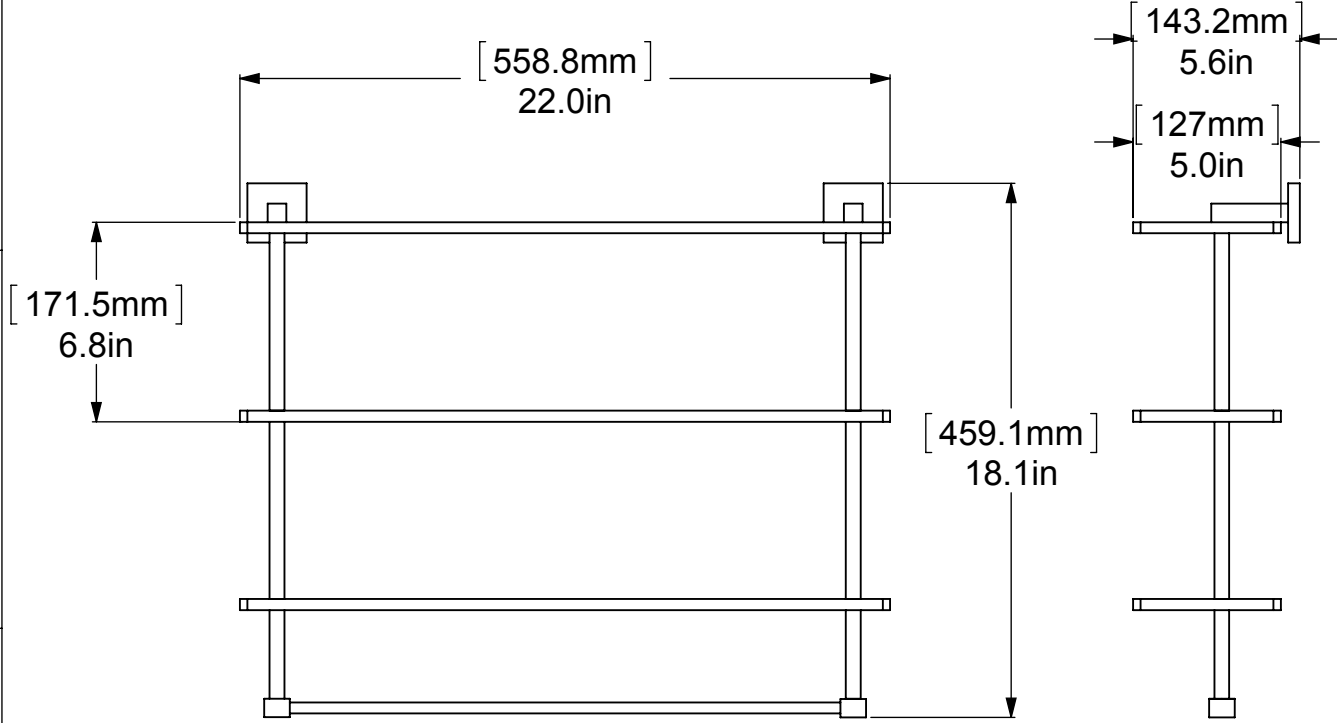
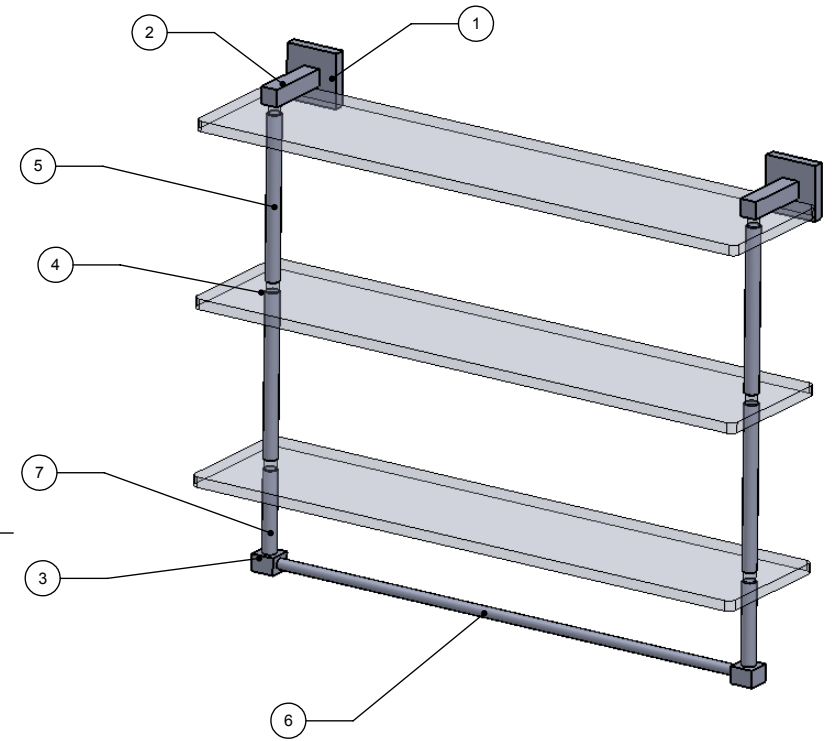


ITEM NO.	P/N	Description	QTY.
1	BPSQ	BACKPLATE	2
2	HKSQ-2.5	Neck	2
3	HBSQ-78	HUB	2
4	GLRT-22	GLASS	3
5	TU12-6	TUBE	4
6	TU12-24	TUBE HOR	1
5	TU12-3	TUBE BOT	2



UNLESS OTHERWISE STATED	
.X	±.3mm
.XX	±.15mm
.XXX	±.008mm

COPYRIGHT © Allied Brass 2016

THIRD ANGLE PROJECTION

DRAWN	6/10/2016	I.M	MATERIAL:	BRASS		FINISH	TBD
CHECKED	6/10/2016	P.D	DESCRIPTION:	SHELF		QUANTITY	TBD
APPROVED	6/10/2016	R.A	DRAWING No.			REV	
					MT-5-22TB		0
			SCALE	1:2.5	SHEET: 01	A4	