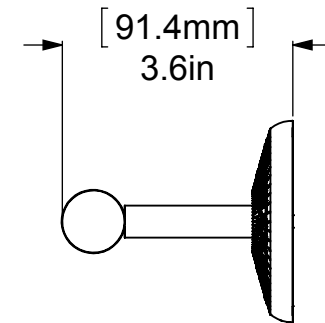
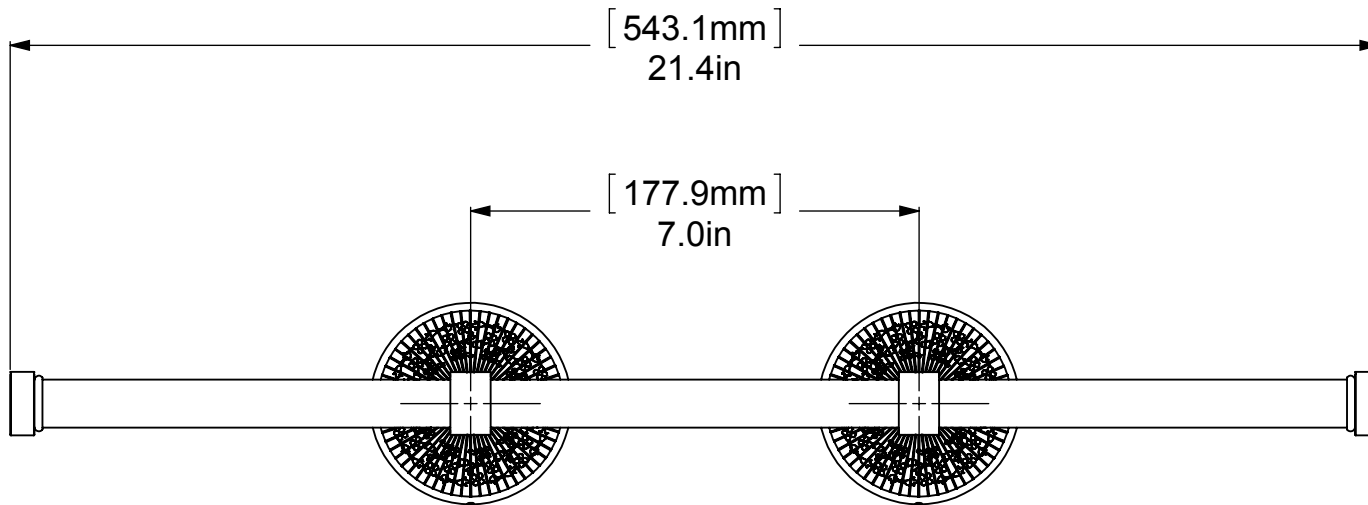
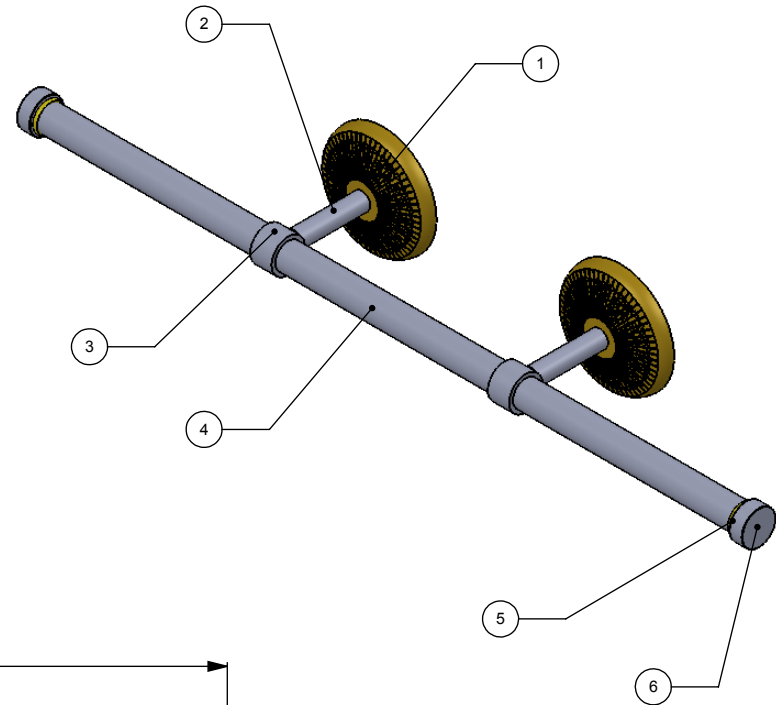


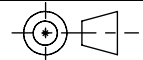
ITEM NO.	P/N	Description	QTY.
1	BPMC	BACKPLATE	2
2	TU12-2	Neck	2
3	HB1T-1	HUB	2
4	TU34-6.5	MID TUBE	3
5	CRRD-34	CHECK RING	2
6	CARD-1	END CAP	2



UNLESS OTHERWISE STATED

.X	$\pm .3\text{mm}$
.XX	$\pm .15\text{mm}$
.XXX	$\pm .008\text{mm}$

COPYRIGHT © Allied Brass 2016



THIRD ANGLE PROJECTION

DRAWN	6/14/2016	I.M
CHECKED	6/14/2016	P.D
APPROVED	6/14/2016	R.A

MATERIAL:	BRASS		FINISH	TBD
DESCRIPTION:	<p>GUEST TOWEL BAR</p> 		QUANTITY	TBD
			DRAWING No.	REV
			MC-GT-3	0
SCALE	1:3	SHEET: 01	A4	