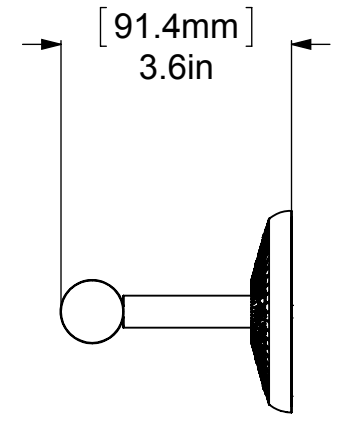
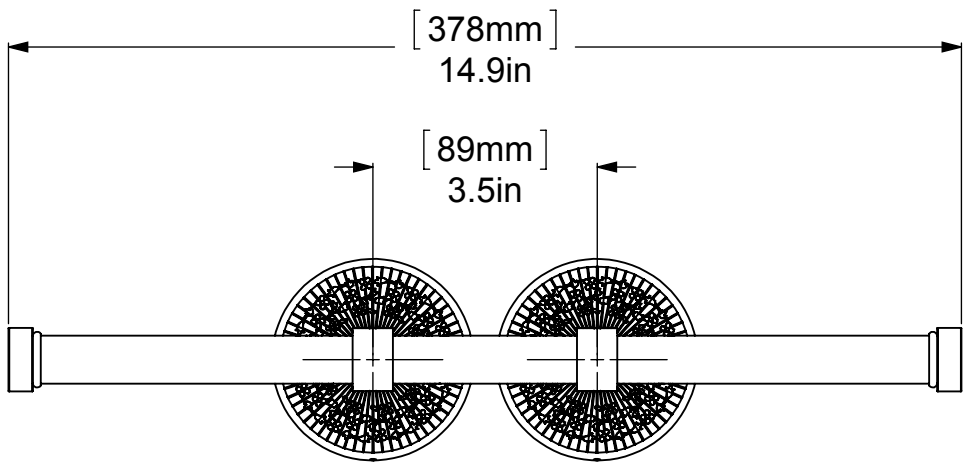
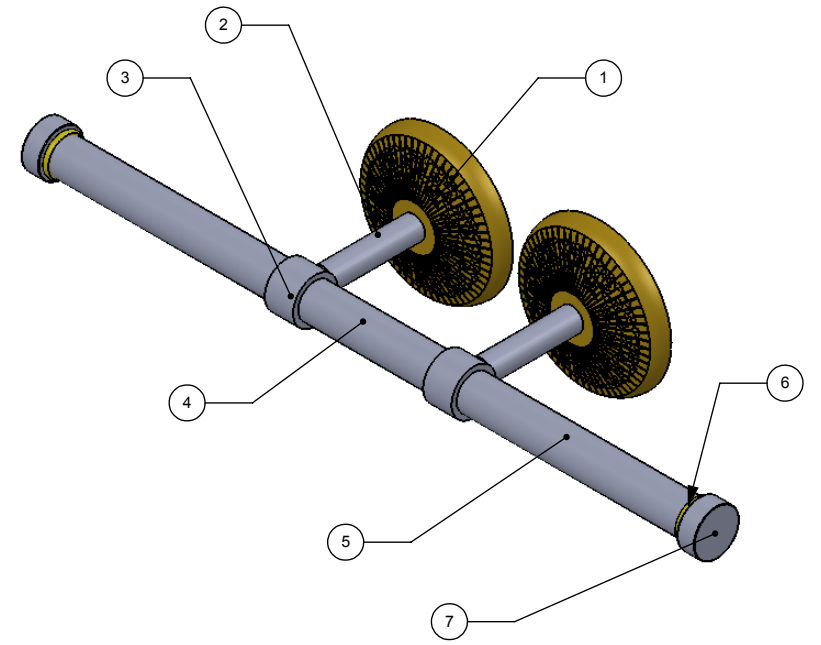


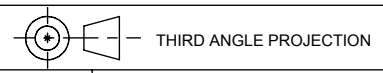
ITEM NO.	P/N	Description	QTY.
1	BPMC	BACKPLATE	2
2	TU12-2	Neck	2
3	HB1T-1	HUB	2
4	TU34-3	MID TUBE	1
5	TU34-5	SIDE TUBE	2
6	CRRD-34	CHECK RING	2
7	CARD-1	END CAP	2



UNLESS OTHERWISE STATED

.X	$\pm .3\text{mm}$
.XX	$\pm .15\text{mm}$
.XXX	$\pm .008\text{mm}$

COPYRIGHT © Allied Brass 2016



DRAWN	6/12/2016	I.M
CHECKED	6/12/2016	P.D
APPROVED	6/12/2016	R.A

MATERIAL:	BRASS
DESCRIPTION:	TOILET TISSUE HOLDER

FINISH	TBD
QUANTITY	TBD
DRAWING No.	MC-24-2
REV	0
SCALE	1:3
SHEET: 01	A4