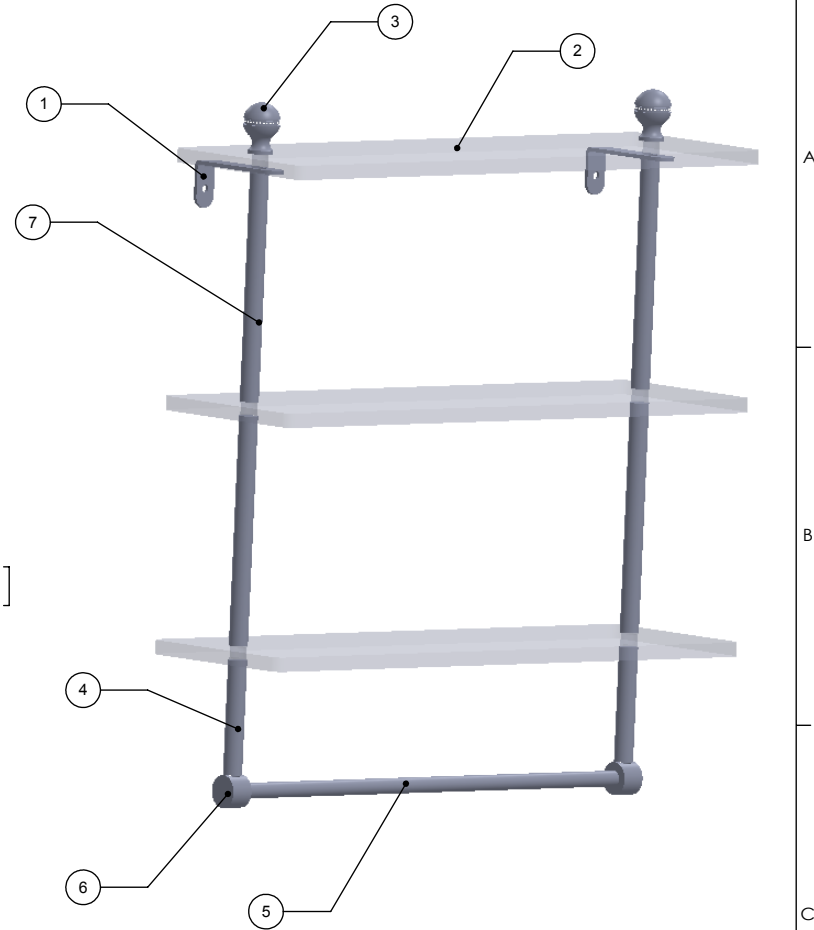
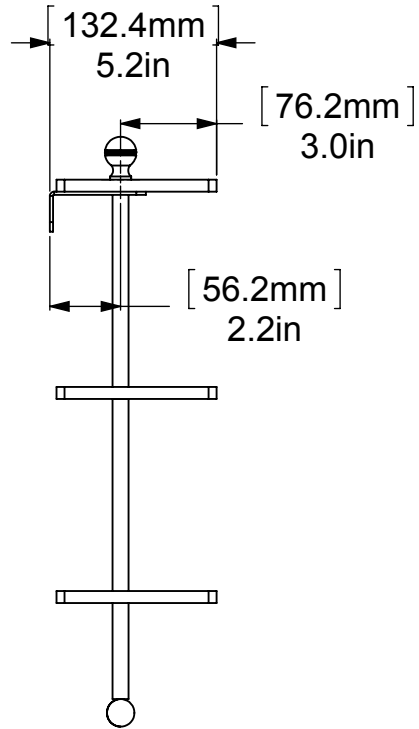
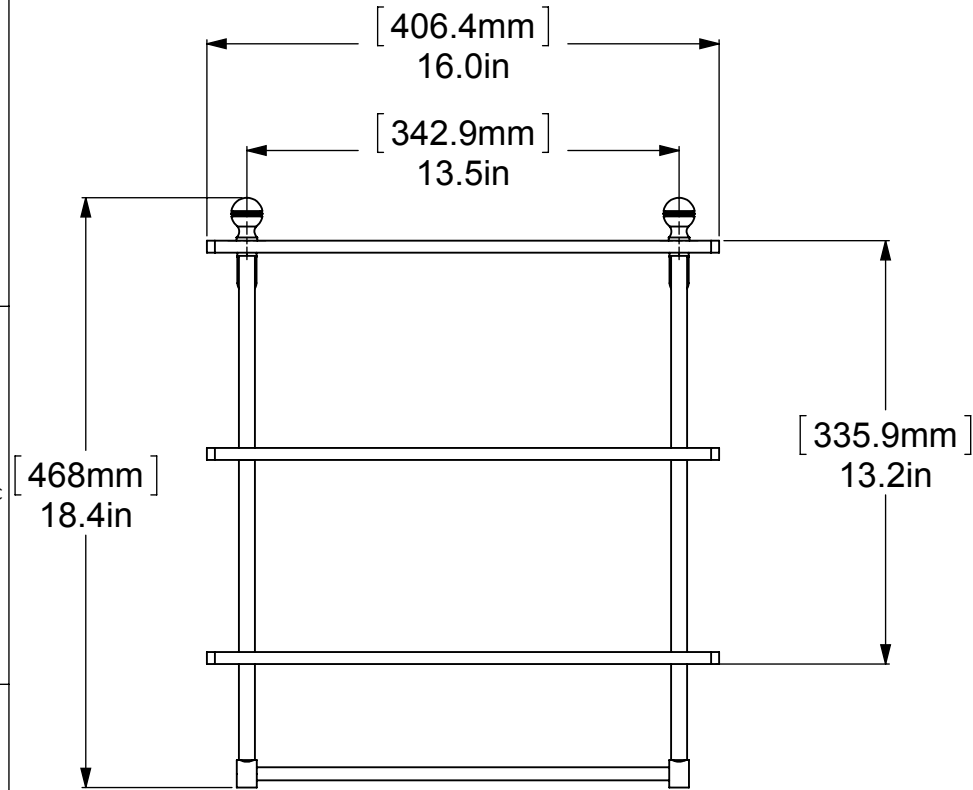
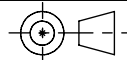


ITEM NO.	P/N	DESCRIPTION	QTY.
1	BKSH-2	BRACKET	2
2	GLRT-16	GLASS	3
3	MA-FT	BALL	2
4	TU12-3	TUBE VERTICAL	2
5	TU38-13.5	LOWER TUBE	1
6	HBBTT-78	CAP	2
7	TU12-6	SUPPORT TUBE	4



COPYRIGHT © Allied Brass 2015



THIRD ANGLE PROJECTION

DRAWN	11-23-15	I.M
CHECKED	11-23-15	P.D
APPROVED	11-23-15	R.A

MATERIAL:	
DESCRIPTION:	MA-5TB-16



FINISH	TBD
QUANTITY	TBD
DRAWING No.	MA-5TB-16
REV	0
SCALE	1:6
SHEET: 01	A4