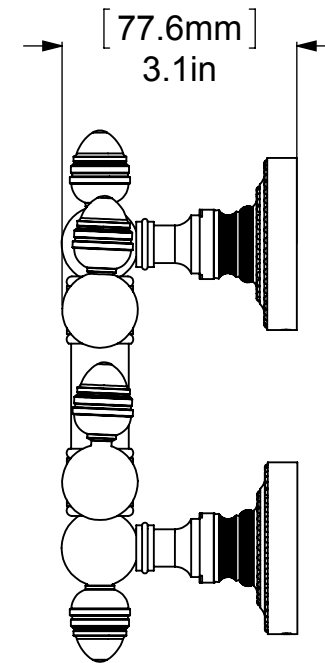
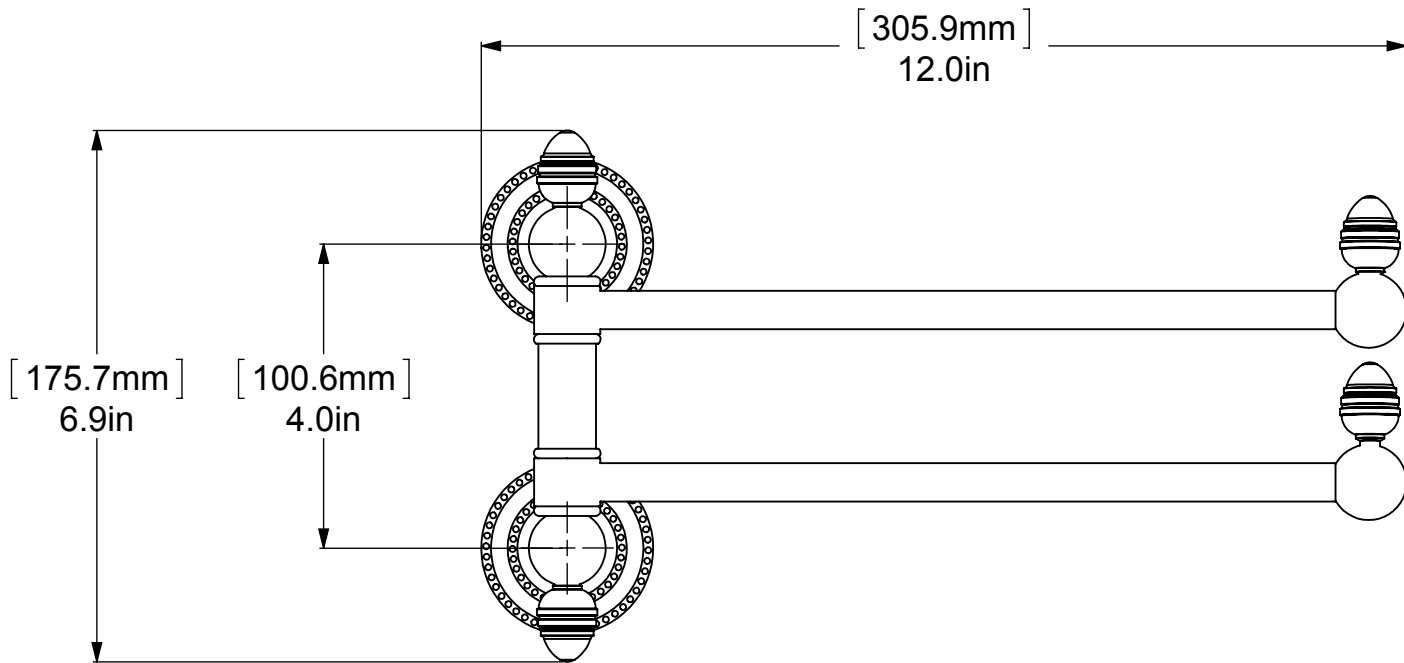
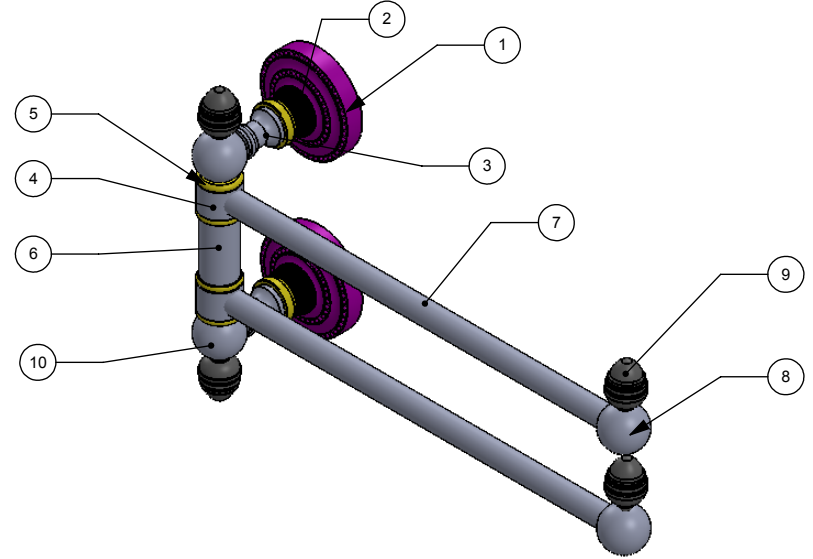


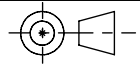
ITEM NO.	P/N	Description	QTY.
1	BPDT	BACKPLATE	2
2	NKSL-58	SUPPORT	2
3	NKSL-78	NECK	2
4	mr-tilt-fitt	TILT	2
5	CRRD-34	CHECK RING	4
6	TU34-1.5	TUBE	2
7	TU12-10	TUBE	2
8	BL1T-1	HUB	2
9	KBGT-1	PEG	4
10	BL2T-1	HUB	2




UNLESS OTHERWISE STATED

.X	±.3mm
.XX	±.15mm
.XXX	±.008mm

COPYRIGHT © Allied Brass 2016



THIRD ANGLE PROJECTION

DRAWN	8/5/2016	I.M	MATERIAL:	BRASS	FINISH	TBD
CHECKED	8/5/2016	P.D	DESCRIPTION:	GANG TOWEL BAR 	QUANTITY	TBD
APPROVED	8/5/2016	R.A			DRAWING No.	REV
					DT-GTB-2	0
			SCALE	1:2.5	SHEET: 01	A4