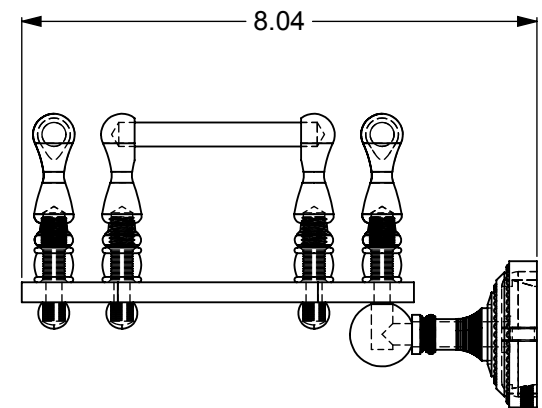
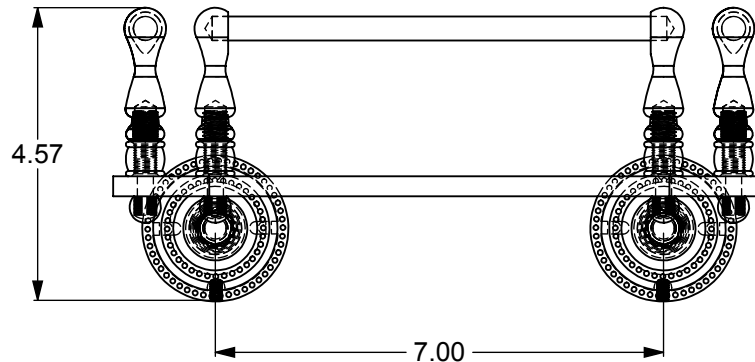
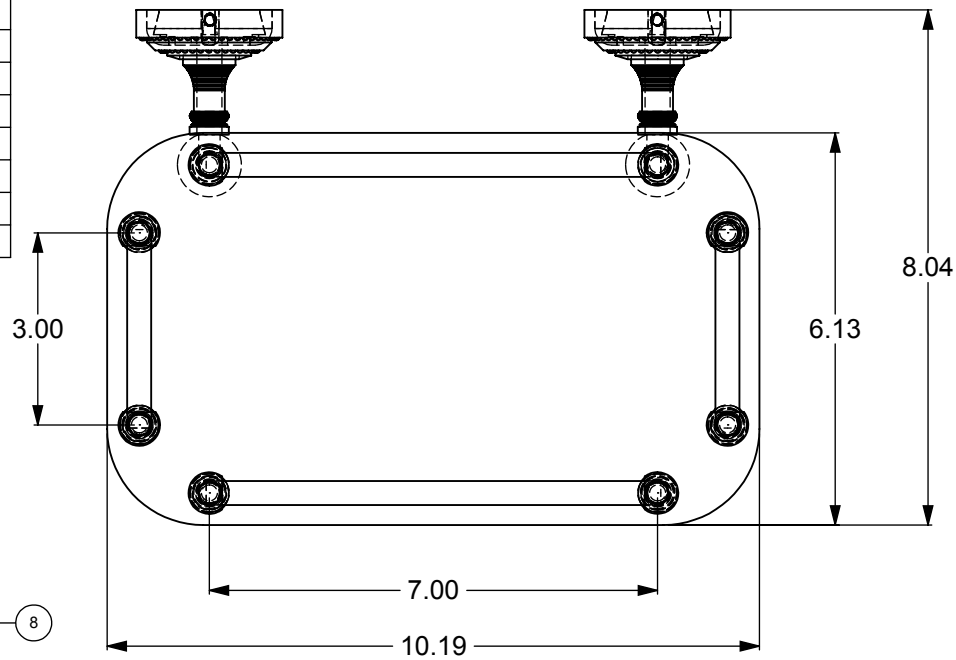
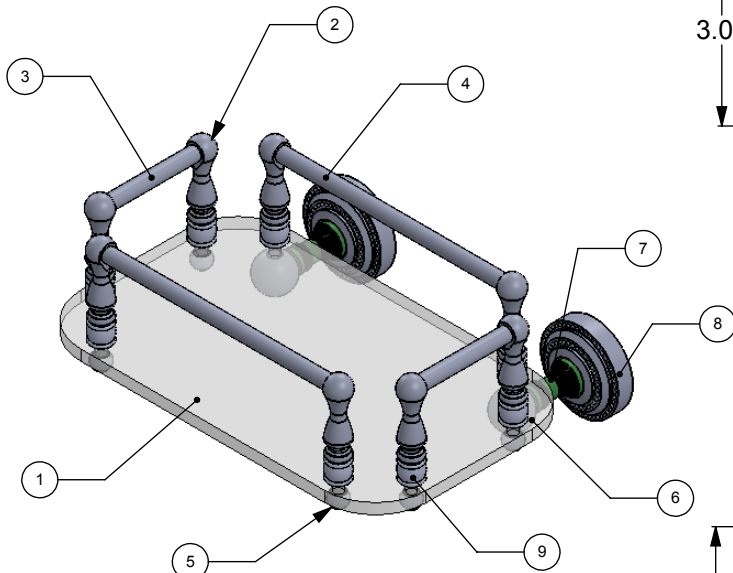


| ITEM NO. | P/N | DESCRIPTION | QTY. |
|----------|-----------|-------------|------|
| 1 | GT-1-GL | GLASS | 1 |
| 2 | PSTDS-12 | POST | 8 |
| 3 | TU38-3 | TUBE, 3" | 2 |
| 4 | TU38-7 | TUBE, 7" | 2 |
| 5 | BL1T-12 | LOCK | 8 |
| 6 | BLST-1 | BOTTOM BALL | 2 |
| 7 | NKSL-1.25 | NECK | 2 |
| 8 | BPDT | BACKPLATE | 2 |
| 9 | PSRD-58 | POST BASE | 8 |



NOTES:
1. UNIT IS IN INCHES.

| UNLESS OTHERWISE STATED | |
|-------------------------|---------|
| .X | ±.3mm |
| .XX | ±.15mm |
| .XXX | ±.008mm |

COPYRIGHT © Allied Brass 2016



| | | |
|----------|-----------|-----|
| DRAWN | 8/19/2016 | I.M |
| CHECKED | 8/19/2016 | P.D |
| APPROVED | 8/19/2016 | R.A |

| | |
|--------------|------------------|
| MATERIAL: | BRASS |
| DESCRIPTION: | Guest Towel Tray |
| | |

| | |
|-------------|-----|
| FINISH | TBD |
| QUANTITY | TBD |
| DRAWING No. | REV |
| DT-GT-6 | 0 |
| SCALE | 1:3 |
| SHEET: 01 | A4 |