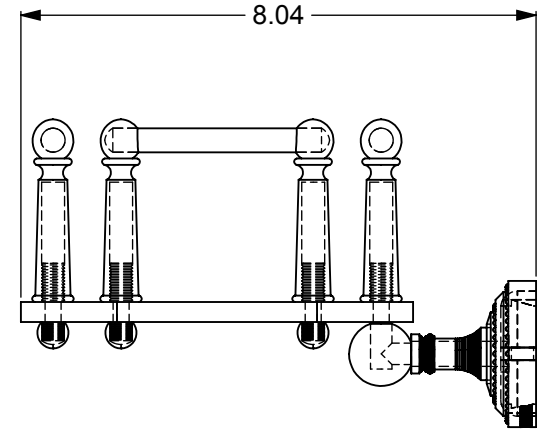
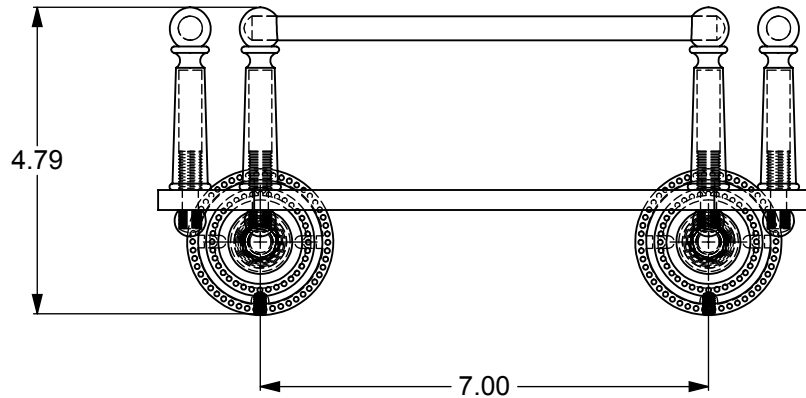
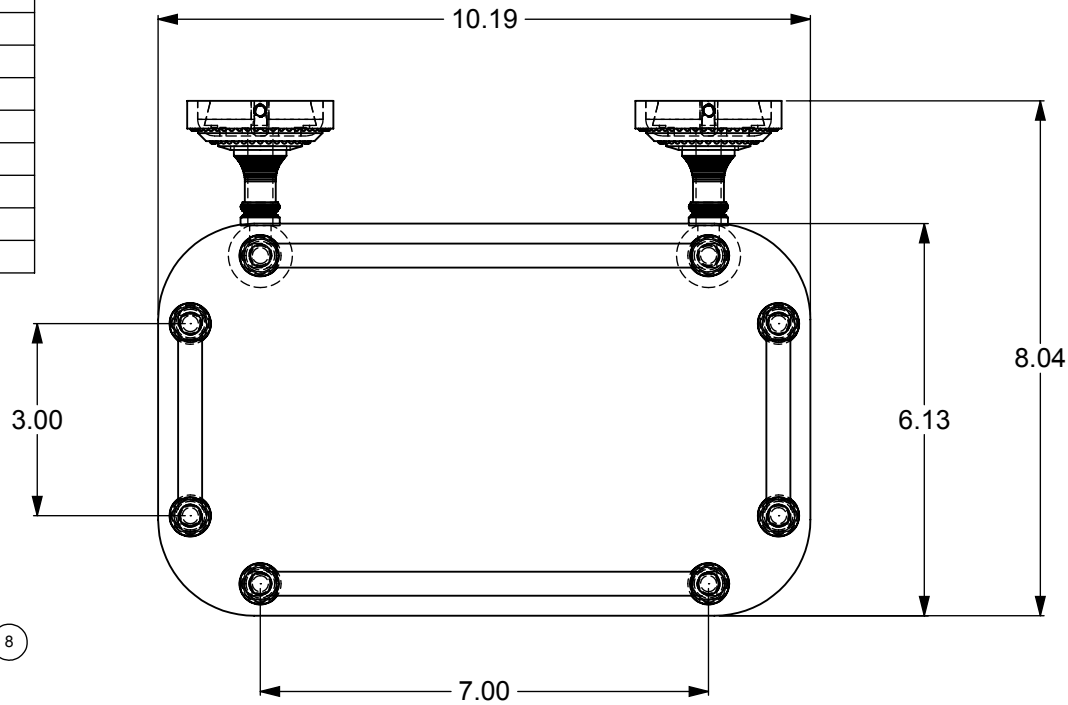
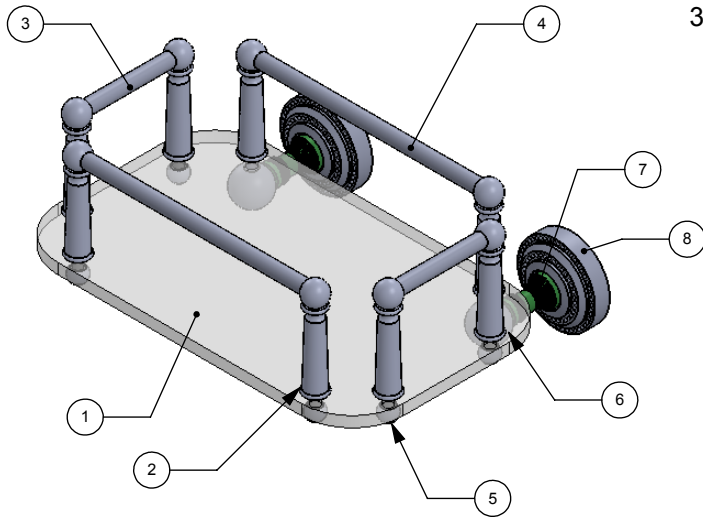


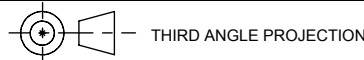
ITEM NO.	P/N	DESCRIPTION	QTY.
1	GT-1-GL	GLASS	1
2	PSTDS-12	POST	8
3	TU38-3	TUBE, 3"	2
4	TU38-7	TUBE, 7"	2
5	BL1T-12	LOCK	8
6	BLST-1	BOTTOM BALL	2
7	NKSL-1.25	NECK	2
8	BPWV	BACKPLATE	2



NOTES:  
1. UNIT IS IN INCHES.

UNLESS OTHERWISE STATED	
.X	±.3mm
.XX	±.15mm
.XXX	±.008mm

COPYRIGHT © Allied Brass 2016



DRAWN	8/18/2016	I.M
CHECKED	8/18/2016	P.D
APPROVED	8/18/2016	R.A

MATERIAL:	BRASS
DESCRIPTION:	Guest Towel Tray

FINISH	TBD
QUANTITY	TBD
DRAWING No.	REV
DT-GT-5	0
SCALE	1:3
SHEET: 01	A4