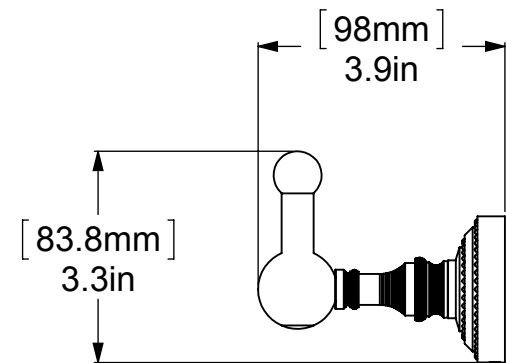
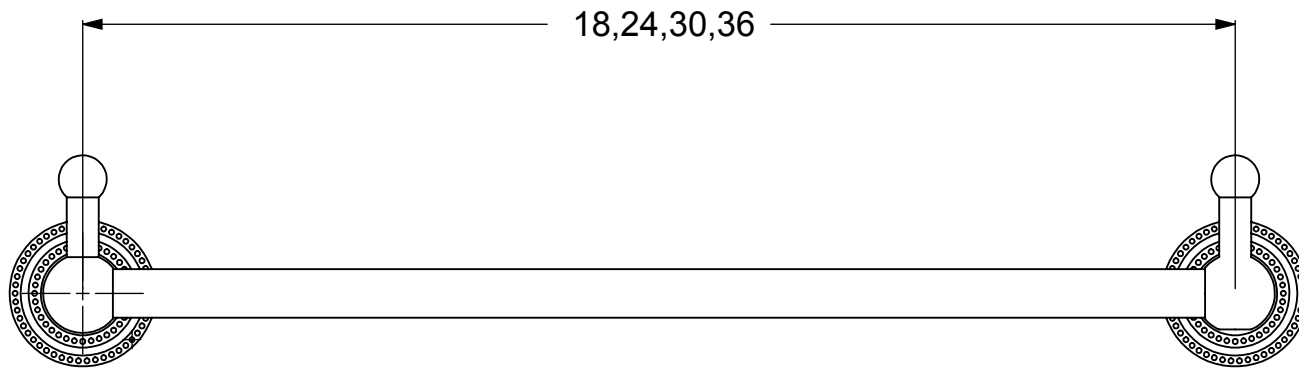
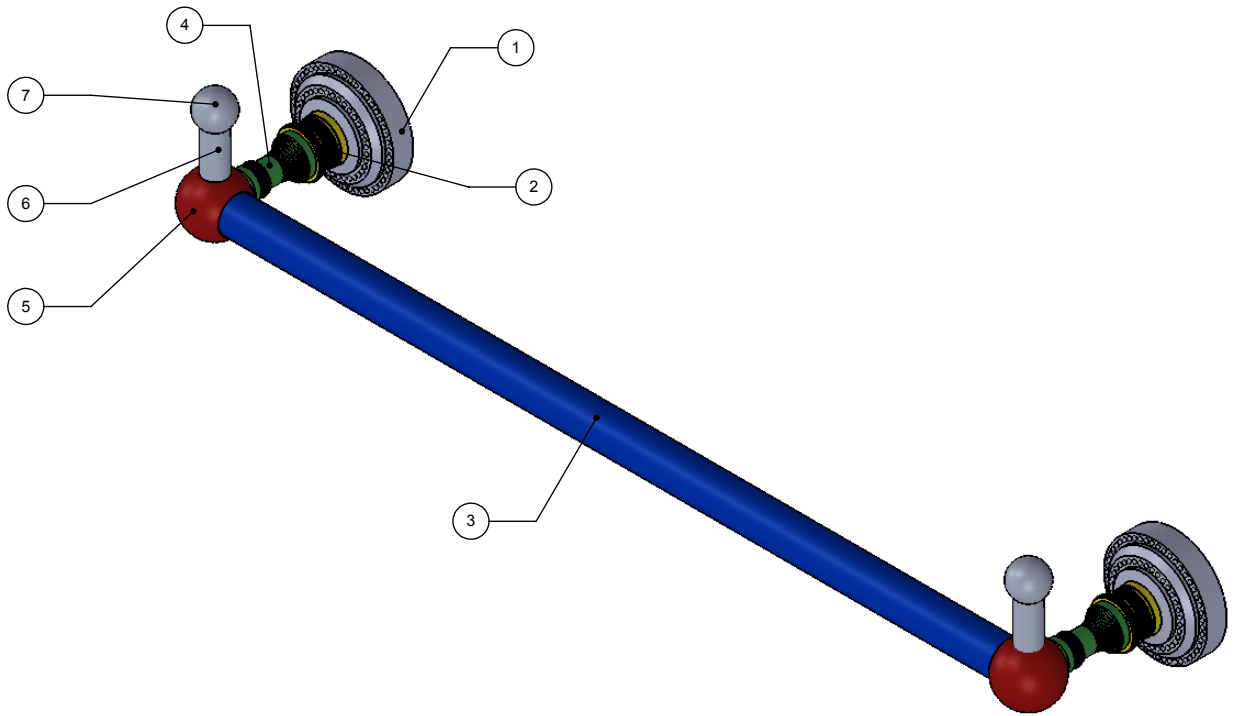


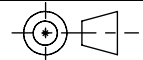
ITEM NO.	P/N	Description	QTY.
1	BPDT	BACKPLATE	2
2	NKSL-58	POST	2
3	TU34-18,24,30,36	TUBE	1
4	NKSL-1.25	SUPPORT	2
5	BL34ST-1.25	LOCK	2
6	TU12-1	TUBE	2
7	BL1T-34	END BALL	2




UNLESS OTHERWISE STATED

.X	±.3mm
.XX	±.15mm
.XXX	±.008mm

COPYRIGHT © Allied Brass 2016



THIRD ANGLE PROJECTION

DRAWN	7/22/2016	I.M	MATERIAL:	BRASS	FINISH	TBD
CHECKED	7/22/2016	P.D	DESCRIPTION:		QUANTITY	TBD
APPROVED	7/22/2016	R.A	TOWEL BAR WITH HOOKS		DRAWING No.	REV
					DT-41PEG	0
				SCALE	1:3	SHEET: 01 A4