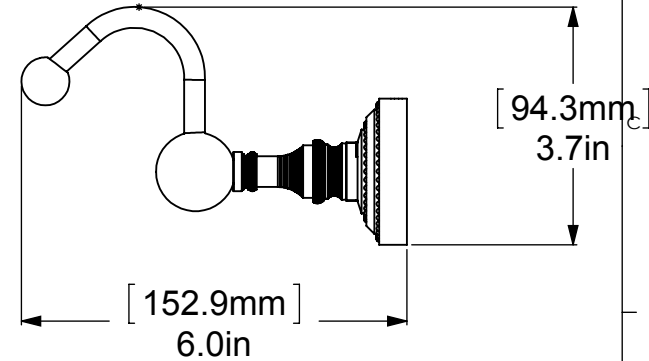
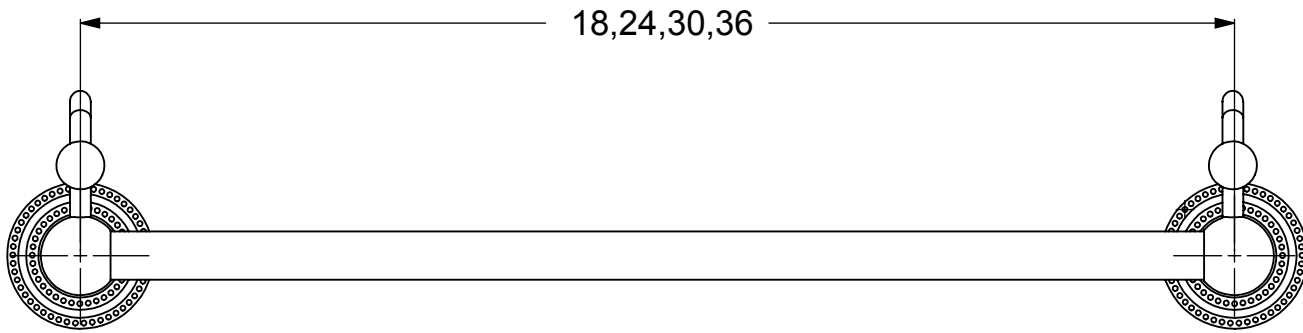
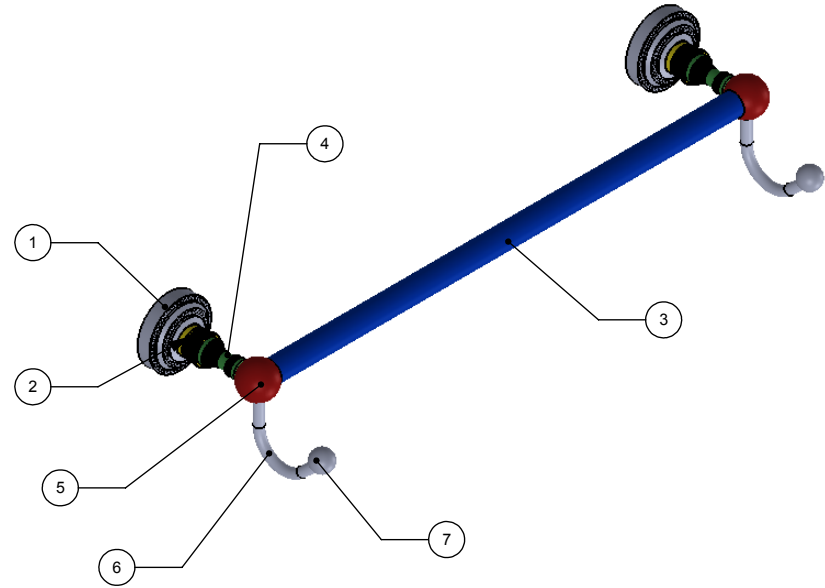


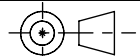
ITEM NO.	P/N	Description	QTY.
1	BPDT	BACKPLATE	2
2	NKSL-58	POST	2
3	TU12-18,24,30,36	TUBE	1
4	NKSL-1.25	SUPPORT	2
5	BL34ST-1.25	LOCK	2
6	HKHK	PIPE	2
7	BL1T-34	END BALL	2



UNLESS OTHERWISE STATED

.X	$\pm .3\text{mm}$
.XX	$\pm .15\text{mm}$
.XXX	$\pm .008\text{mm}$

COPYRIGHT © Allied Brass 2016



THIRD ANGLE PROJECTION

DRAWN	7/22/2016	I.M	MATERIAL:	BRASS	FINISH	TBD
CHECKED	7/22/2016	P.D	DESCRIPTION:	TOWEL BAR WITH HOOKS	QUANTITY	TBD
APPROVED	7/22/2016	R.A			DRAWING No.	REV
					DT-41HK	
					SCALE	1:3
						A4