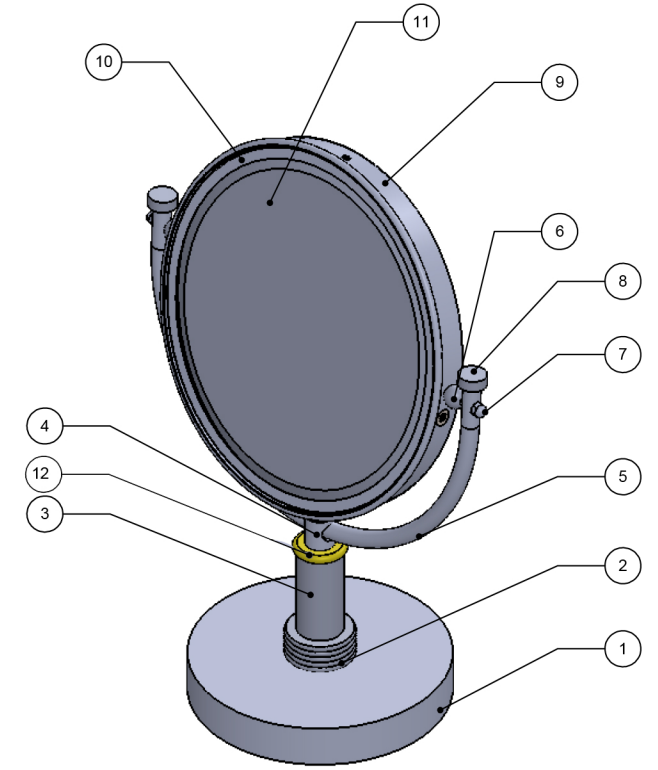
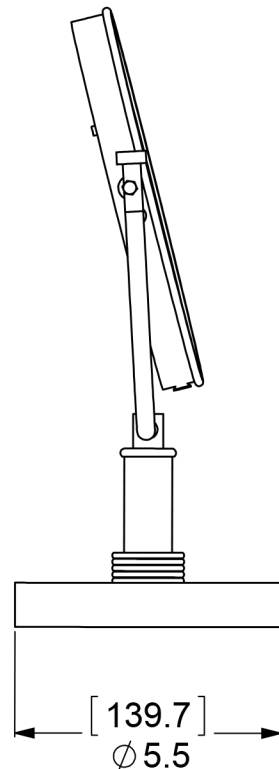
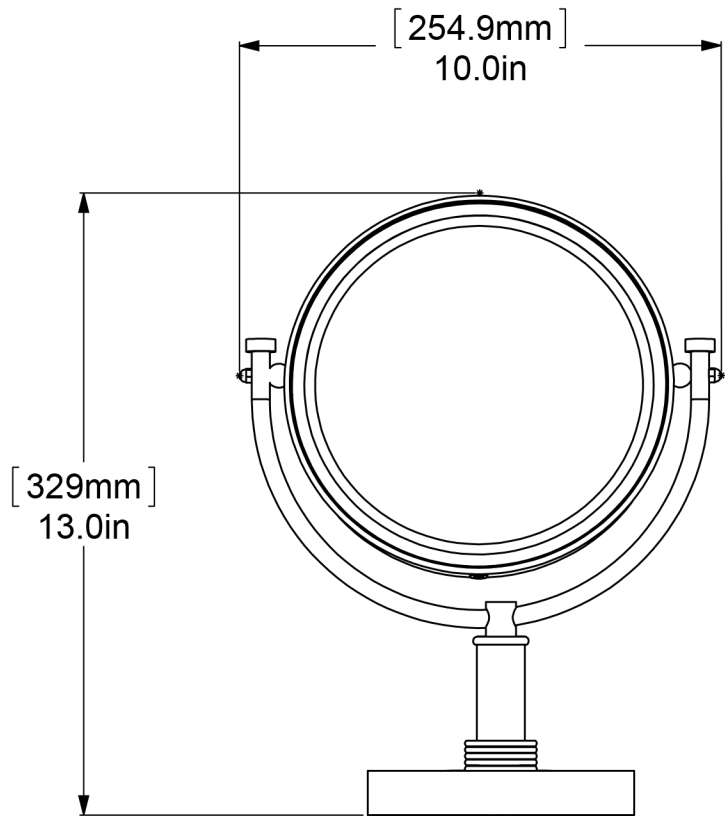


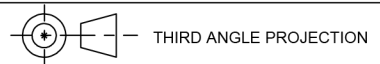
ITEM NO.	P/N	DESCRIPTION	QTY.
1	BSRD-5.5	BASE	1
2	RGGV	HUB	1
3	TU1-2	TUBE	2
4	FTTDS	SUPPORT ROD	1
5	MRUBT-8	MIRROR RING	1
6	BL1TL-12	BALL	2
7	CN8-32	NUT	2
8	CARD-58	CAP	2
9	MROR34-8	OUTSIDE FRAME	1
10	MRIN34-8	INSIDE FRAME	1
11	MIRROR	MIRROR	1
12	CRRD-1	CHECK RING	1




**APPROVED FOR PRODUCTION**  
 BY: RICHARD PAUL  
 DATE: 02/01/2019

UNLESS OTHERWISE STATED	
.X	± .3mm
.XX	± .15mm
.XXX	± .008mm

COPYRIGHT © Allied Brass 2019



DRAWN	2-1-19	I.M	MATERIAL:	BRASS	FINISH	TBD
CHECKED	2-1-19	P.D	DESCRIPTION:		QUANTITY	TBD
APPROVED	2-1-19	R.A	8 Inch Vanity Top Make-Up Mirror		DRAWING No.	REV
					DM-4G	0
				SCALE	1:4	SHEET: 01 A4