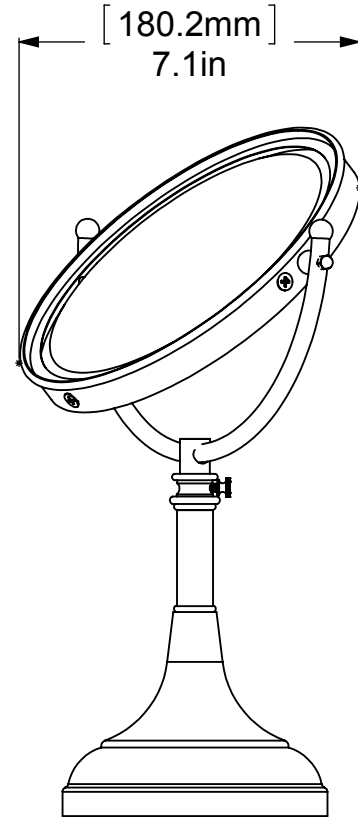
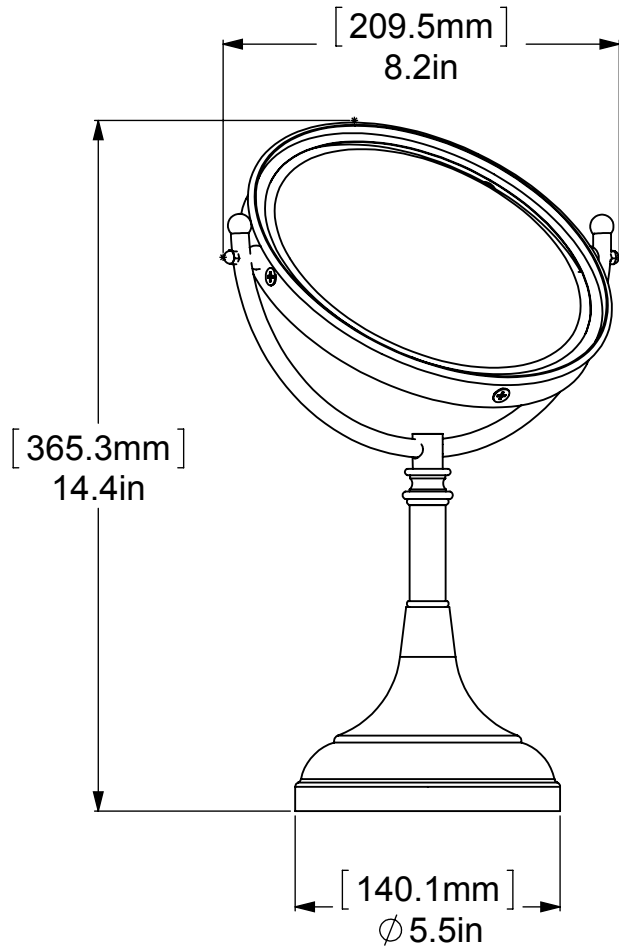
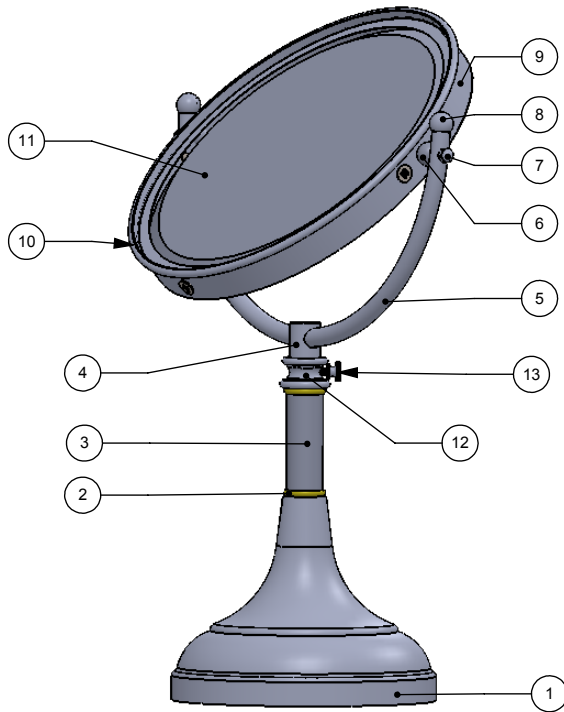


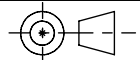
ITEM NO.	P/N	Description	QTY.
1	BSRD-5.5	BASE	1
2	CRRD-34	CHECK RING	1
3	TU34-2	TUBE	1
4	FTTDS	HUB	1
5	MRUBT-8	BENT TUBE	1
6	BL1TL-12	BALL HUB	2
7	CN8-32	LOCK NUT	2
8	BL1T-12	BALL CAP	2
9	MRIN34-8	INSIDE FRAME	1
10	MROR34-8	OUTSIDE FRAME	1
11	MIRROR	MIRROR	1
12	NKTP2T-58	ADJUSTER	1
13	SR440-18	THUMB SCREW	1




UNLESS OTHERWISE STATED

.X	±.3mm
.XX	±.15mm
.XXX	±.008mm

COPYRIGHT © Allied Brass 2019



THIRD ANGLE PROJECTION

DRAWN	2-16-19	I.M	MATERIAL:	BRASS	FINISH	TBD
CHECKED	2-16-19	P.D	DESCRIPTION:		QUANTITY	TBD
APPROVED	2-16-19	R.A	8 Inch Vanity Top Make-Up Mirror		DRAWING No.	REV
					DM-1	0
				SCALE	1:4	SHEET: 01 A4