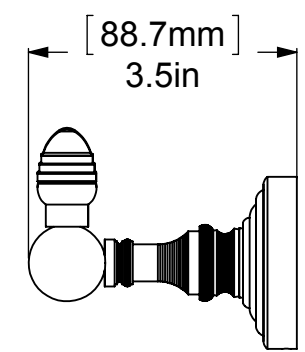
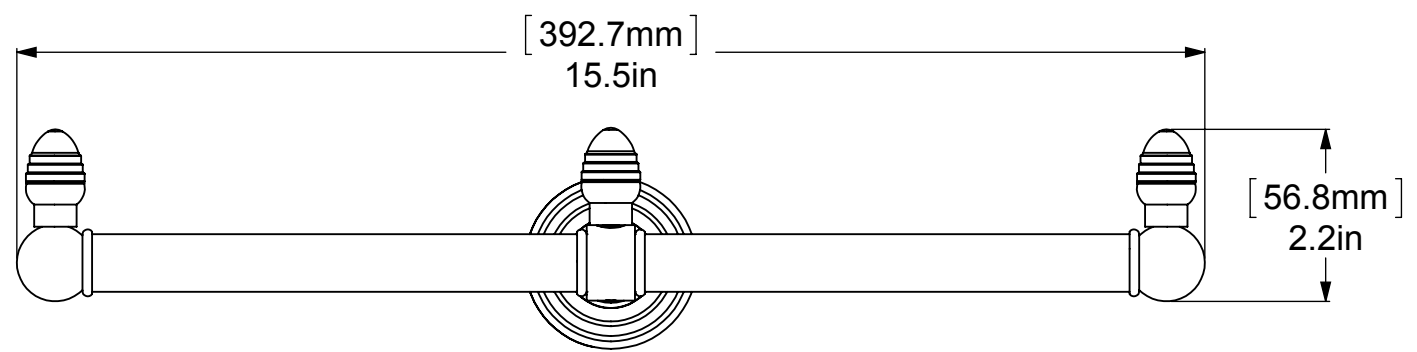
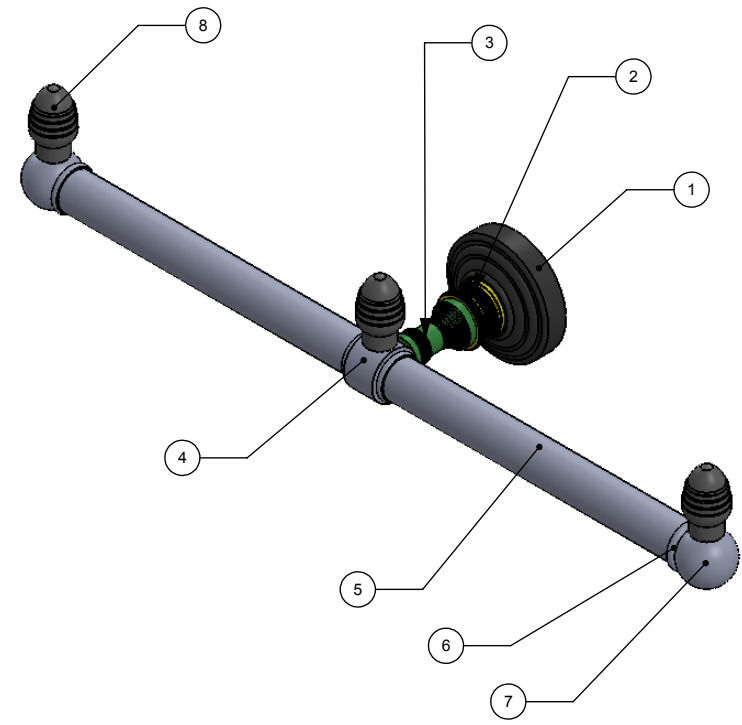


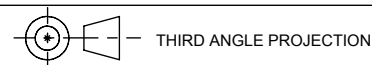
| ITEM NO. | P/N | Description | QTY. |
|----------|-----------|-------------|------|
| 1 | BPWV | BACKPLATE | 1 |
| 2 | NKSL-58 | Neck | 1 |
| 3 | NKSL-1.25 | SUPPORT | 1 |
| 4 | HB2T-1 | HUB | 1 |
| 5 | TU34-6.5 | TUBE | 2 |
| 6 | CRRD-34 | RING | 4 |
| 7 | BL2T-1 | END BALL | 2 |
| 8 | KBGT-1 | TOP | 3 |



UNLESS OTHERWISE STATED

| | |
|------|---------|
| .X | ±.3mm |
| .XX | ±.15mm |
| .XXX | ±.008mm |

COPYRIGHT © Allied Brass 2016



| | | |
|----------|----------|-----|
| DRAWN | 5/2/2016 | I.M |
| CHECKED | 5/2/2016 | P.D |
| APPROVED | 5/2/2016 | R.A |

| | | | | |
|--------------|--------------|-------------|----------|-----|
| MATERIAL: | BRASS | | FINISH | TBD |
| DESCRIPTION: | TOWEL HOLDER | | QUANTITY | TBD |
| | | DRAWING No. | | REV |
| | | BPWV-HTB -2 | | 0 |
| SCALE | 1:2.5 | SHEET: 01 | A4 | |