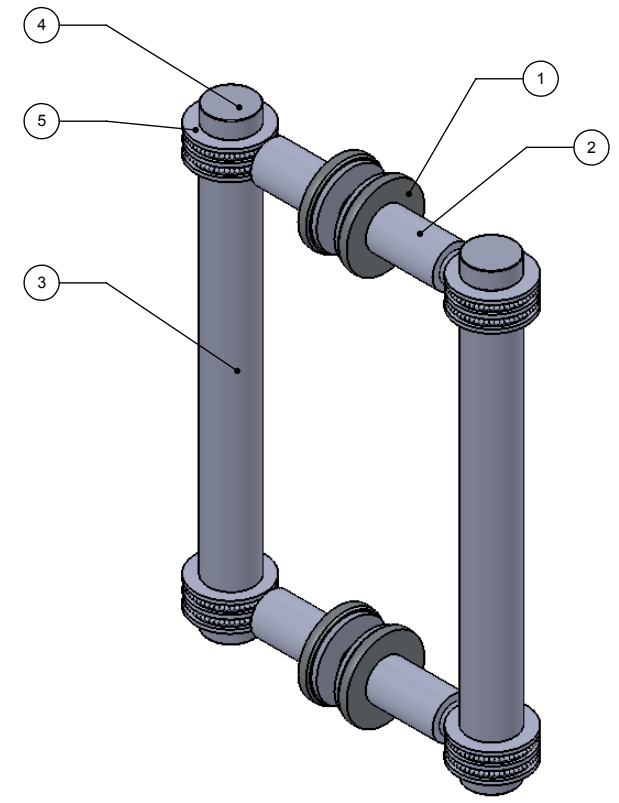
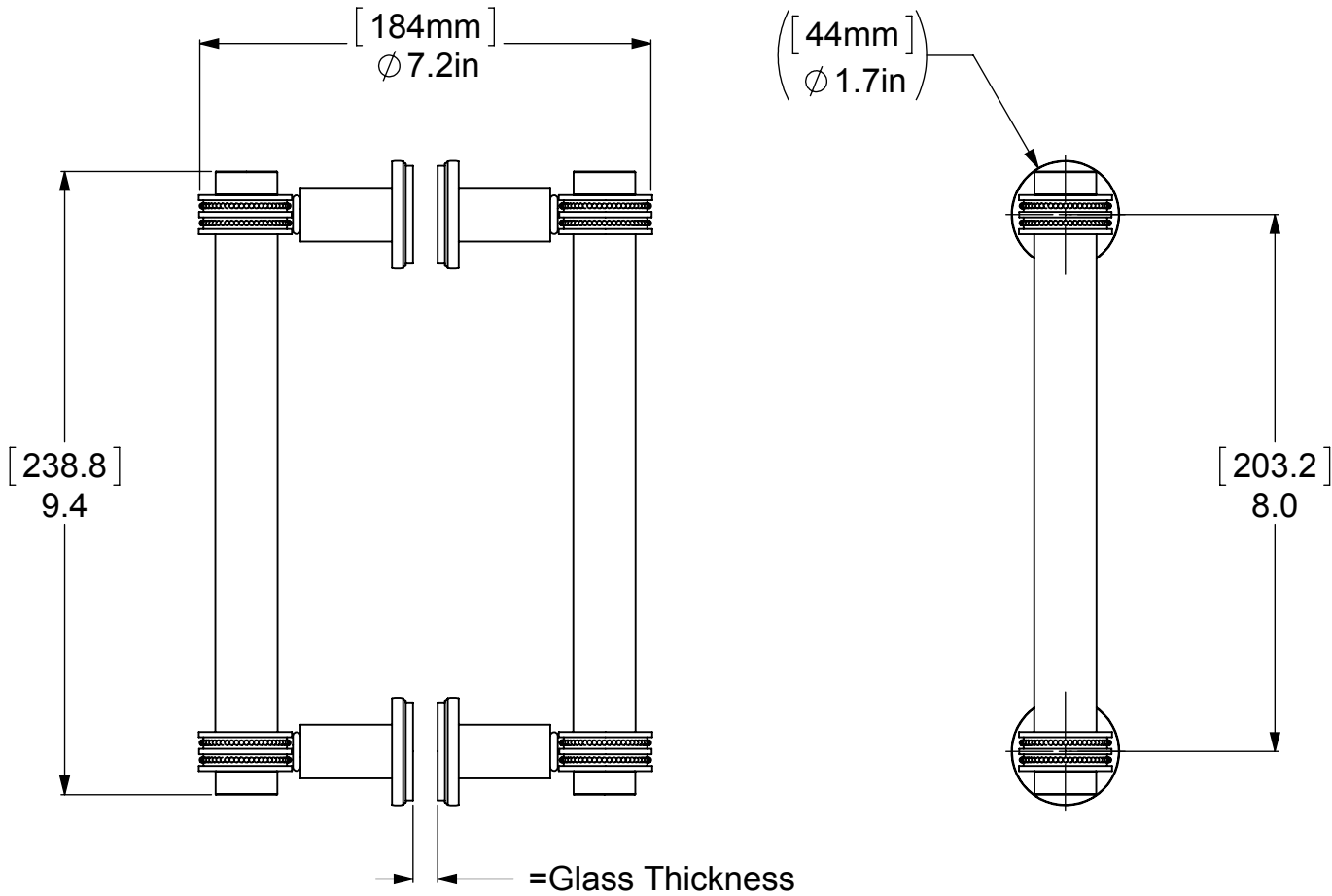


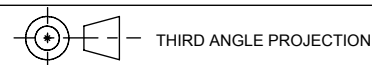
| ITEM NO. | P/N | Description | QTY. |
|----------|--------|-------------|------|
| 1 | FRBP | BACKPLATE | 2 |
| 2 | FR-PST | POST | 4 |
| 3 | TU1-8 | TUBE | 2 |
| 4 | CARD-1 | CAP | 4 |
| 5 | RGDTT | HUB | 4 |




UNLESS OTHERWISE STATED

| | |
|------|---------|
| .X | ±.3mm |
| .XX | ±.15mm |
| .XXX | ±.008mm |

COPYRIGHT © Allied Brass 2016



| | | |
|----------|-----------|-----|
| DRAWN | 8/13/2016 | I.M |
| CHECKED | 8/13/2016 | P.D |
| APPROVED | 8/13/2016 | R.A |

| | |
|--------------|---|
| MATERIAL: | BRASS |
| DESCRIPTION: |  |
| | |

| | |
|-------------|----------|
| FINISH | TBD |
| QUANTITY | TBD |
| DRAWING No. | 404D-8BB |
| REV | 0 |
| SCALE | 1:3 |
| SHEET: 01 | A4 |