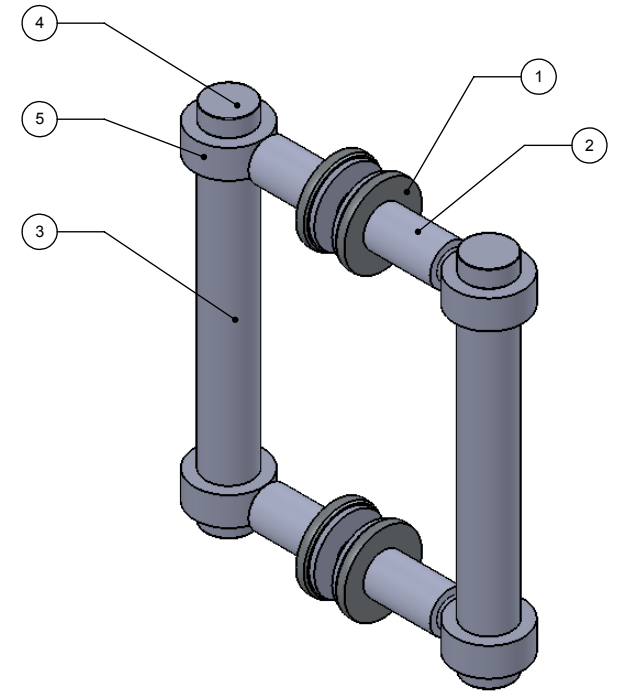
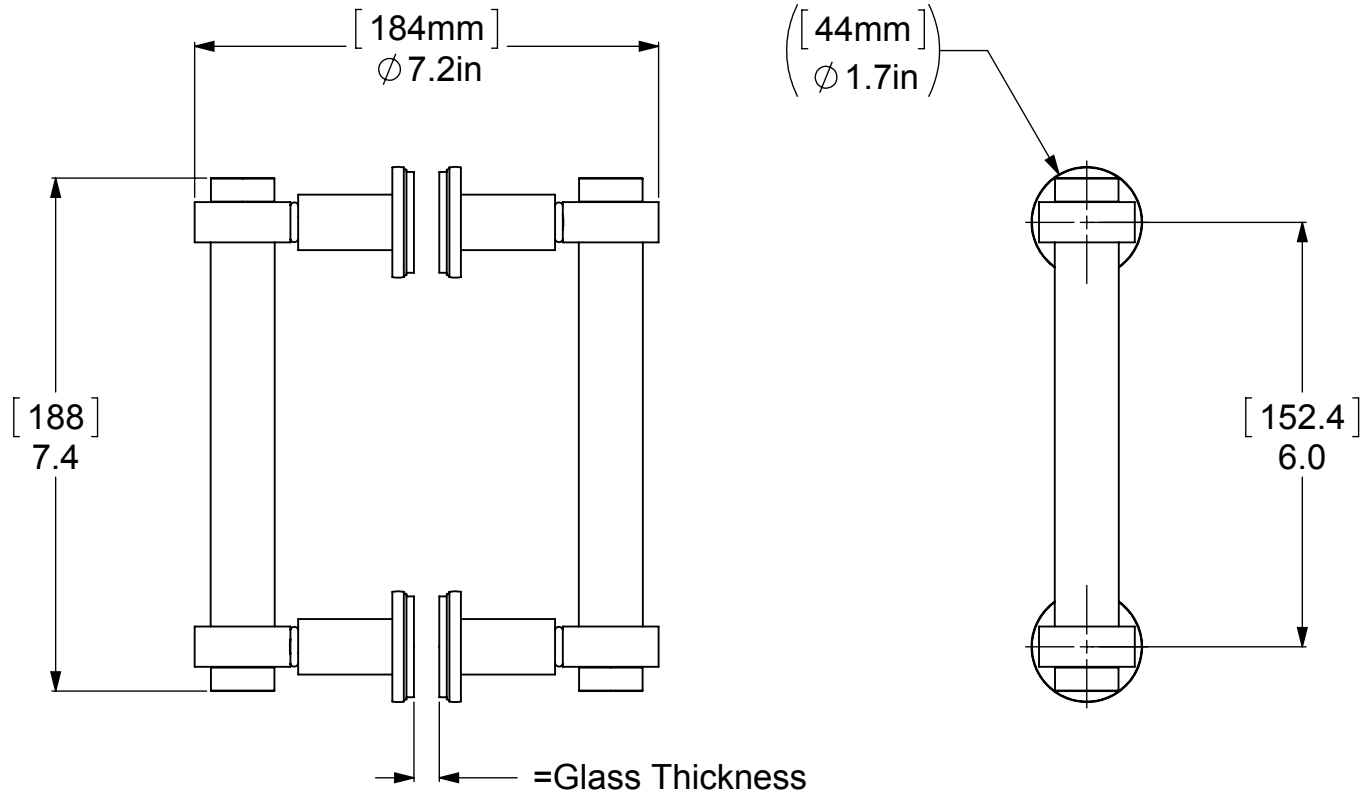


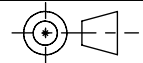
| ITEM NO. | P/N | Description | QTY. |
|----------|--------|-------------|------|
| 1 | FRBP | BACKPLATE | 2 |
| 2 | FR-PST | POST | 4 |
| 3 | TU1-6 | TUBE | 2 |
| 4 | CARD-1 | CAP | 4 |
| 5 | RGSMST | HUB | 4 |




UNLESS OTHERWISE STATED

| | |
|------|---------|
| .X | ±.3mm |
| .XX | ±.15mm |
| .XXX | ±.008mm |

COPYRIGHT © Allied Brass 2016



THIRD ANGLE PROJECTION

| | | | | | | |
|----------|-----------|-----|------------------|---|-------------|--------------|
| DRAWN | 8/12/2016 | I.M | MATERIAL: | BRASS | FINISH | TBD |
| CHECKED | 8/12/2016 | P.D | DESCRIPTION: |  | QUANTITY | TBD |
| APPROVED | 8/12/2016 | R.A | SHOWER DOOR PULL | | DRAWING No. | REV |
| | | | | | 404-6BB | 0 |
| | | | | SCALE | 1:3 | SHEET: 01 A4 |