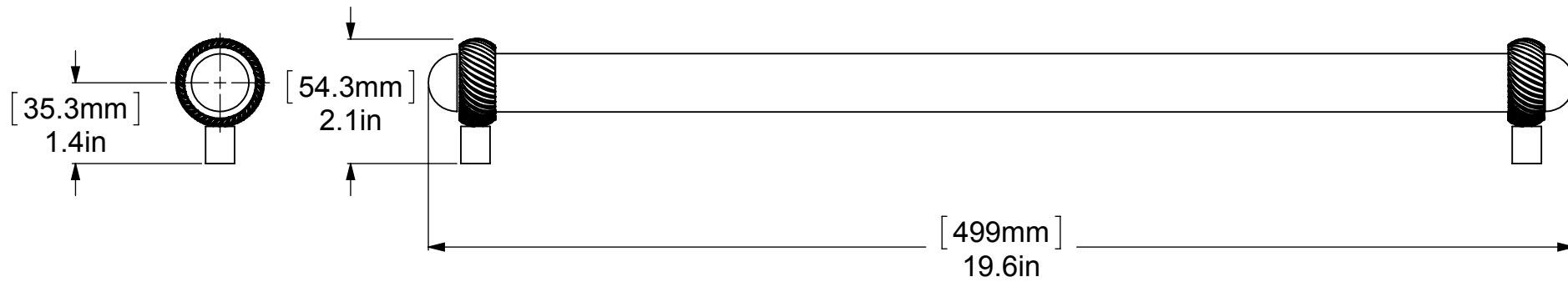
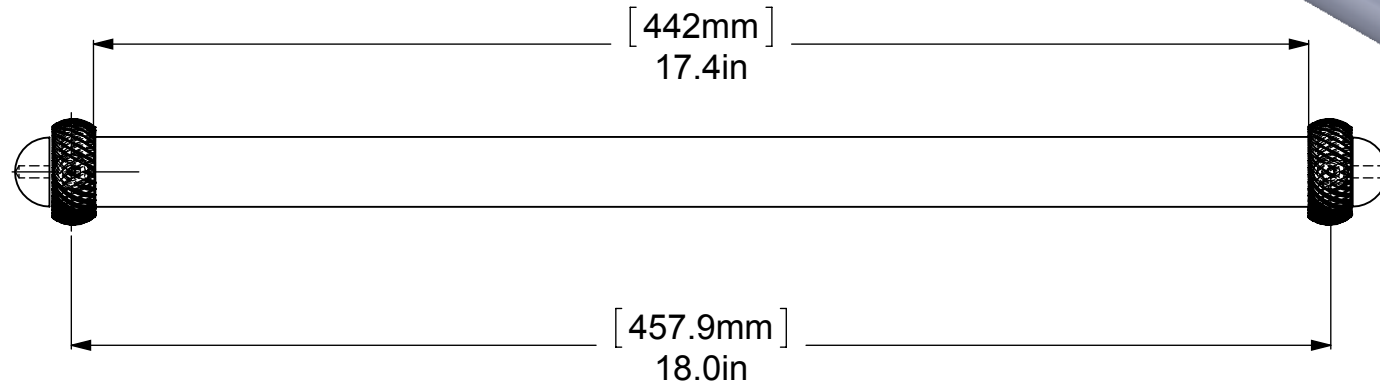
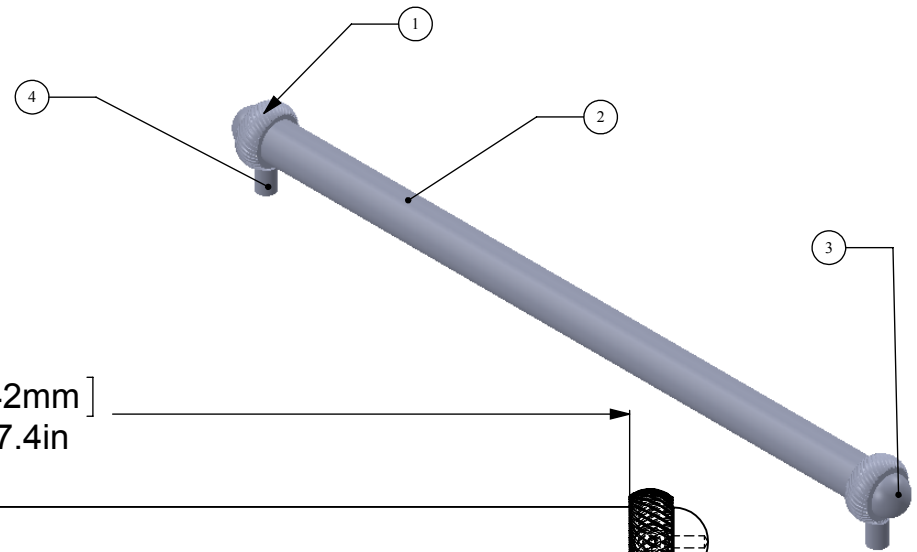


ITEM NO.	PART NUMBER	DESCRIPTION	QTY.
1	RGTWT17.4	CONNECTOR	2
2	TU1-17.4	TUBE	1
3	CAHR-1	CAP	2
4	PSRD8-12	END TUBE	2



UNLESS OTHERWISE STATED

.X	±.3mm
.XX	±.15mm
.XXX	±.008mm

COPYRIGHT © Allied Brass 2016



DRAWN	2/28/2016	I.M
CHECKED	2/28/2016	P.D
APPROVED	2/28/2016	R.A

MATERIAL:	BRASS
DESCRIPTION:	PULL

FINISH	TBD
QUANTITY	TBD
DRAWING No.	REV
402AT-RP	0
SCALE	1:2.75
SHEET: 01	A4