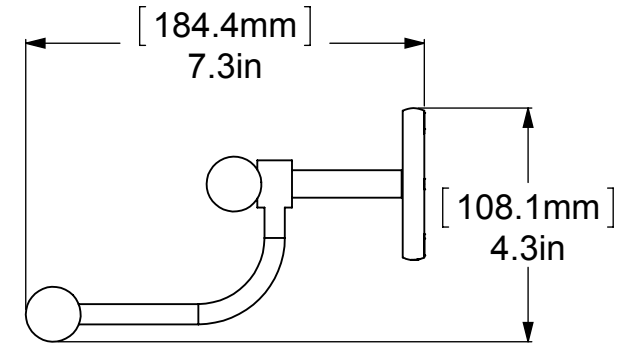
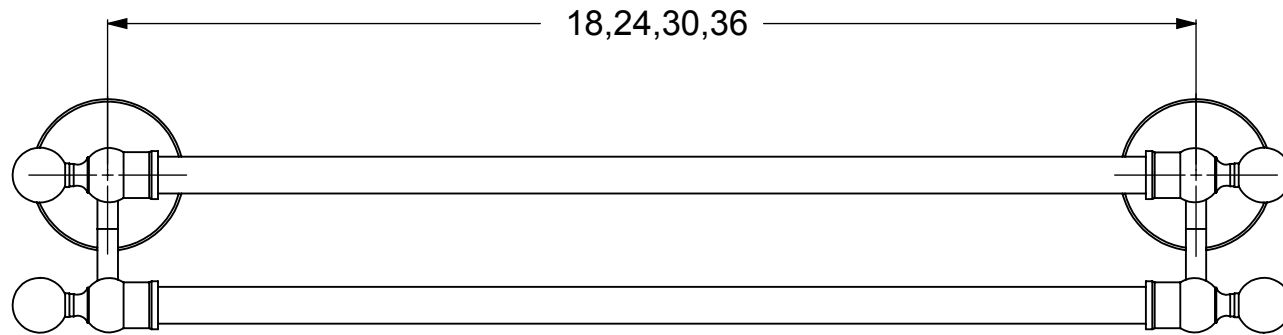
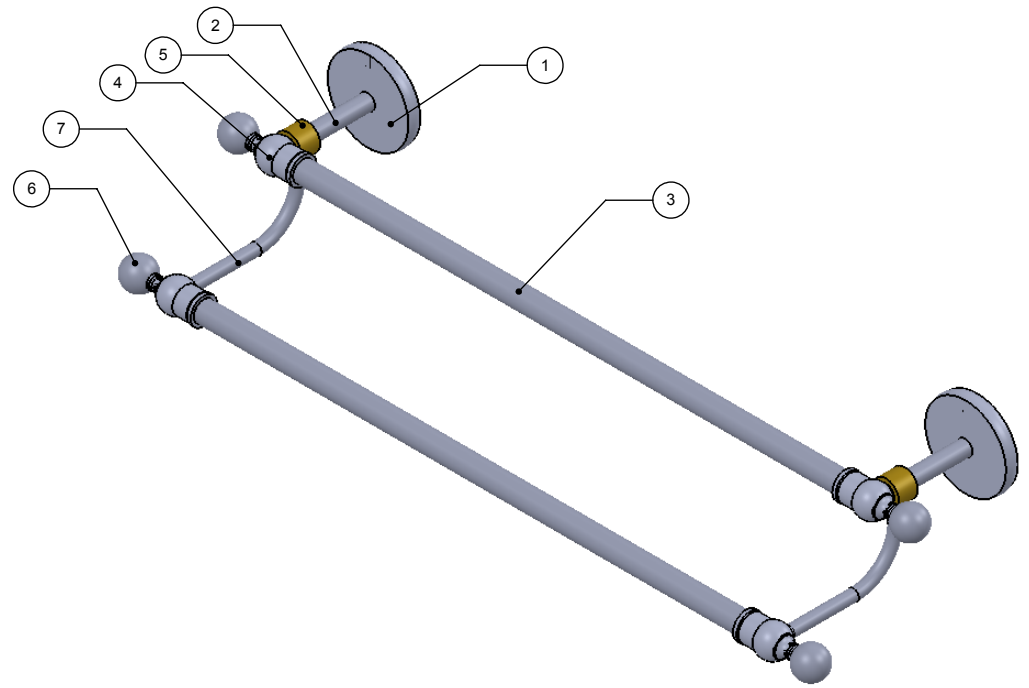
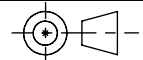


ITEM NO.	P/N	Description	QTY.
1	BPRD	BACKPLATE	2
2	TU12-2	POST	2
3	TU12-18,24,30,36	TUBE	2
4	BKSY-1	TUBE CAP	4
5	HBBTT-78	HUB	2
6	BL1T-1	END BALL	4
7	HKTT	TUBE	2




UNLESS OTHERWISE STATED	
.X	$\pm .3\text{mm}$
.XX	$\pm .15\text{mm}$
.XXX	$\pm .008\text{mm}$

COPYRIGHT © Allied Brass 2016



THIRD ANGLE PROJECTION

DRAWN	7/14/2016	I.M	MATERIAL:	BRASS	FINISH	TBD
CHECKED	7/14/2016	P.D	DESCRIPTION:		QUANTITY	TBD
APPROVED	7/14/2016	R.A	TOWEL BAR		DRAWING No.	REV
					1072	0
				SCALE	1:3.5	SHEET: 01 A4