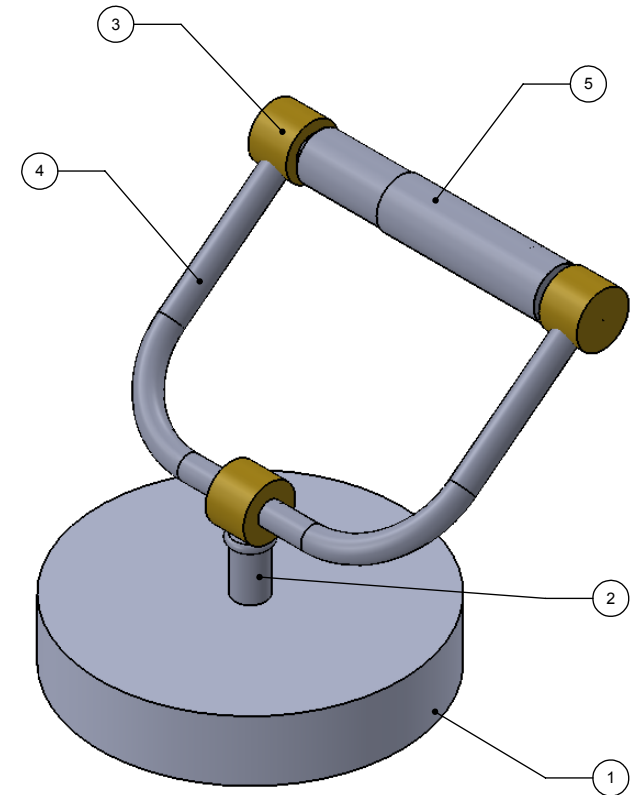
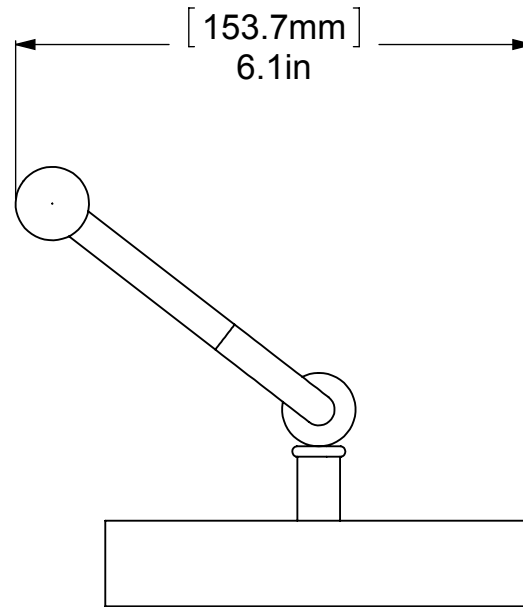
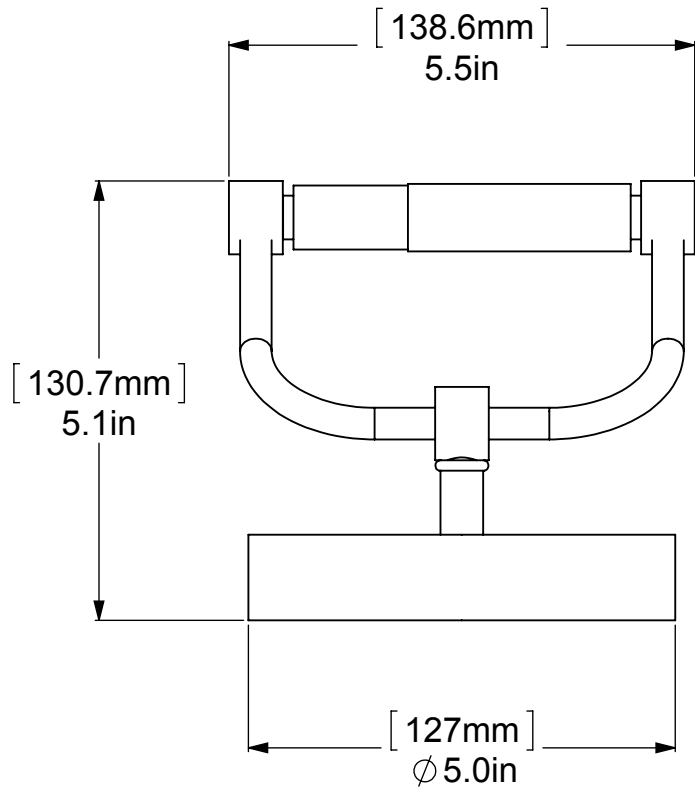


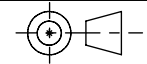
ITEM NO.	P/N	DESCRIPTION	QTY.
1	BSRD-5	BASE	1
2	TU12-.75	TUBE	1
3	HBTTT-78	HUB	3
4	HKTT	PIPE TUBE	2
5	RLB-SET	ROLL	1



UNLESS OTHERWISE STATED

.X	±.3mm
.XX	±.15mm
.XXX	±.008mm

COPYRIGHT © Allied Brass 2016



THIRD ANGLE PROJECTION

DRAWN	4/9/2016	I.M
CHECKED	4/9/2016	P.D
APPROVED	4/9/2016	R.A

MATERIAL: BRASS

DESCRIPTION:  
Vanity Top Toilet  
Tissue Holder



FINISH	TBD
QUANTITY	TBD
DRAWING No.	REV
1066	0
SCALE	1:2.25
SHEET: 01	A4