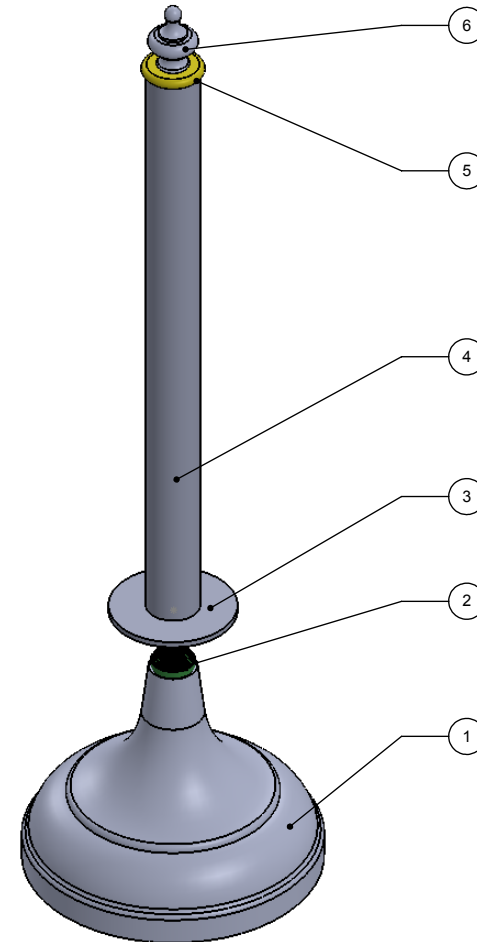
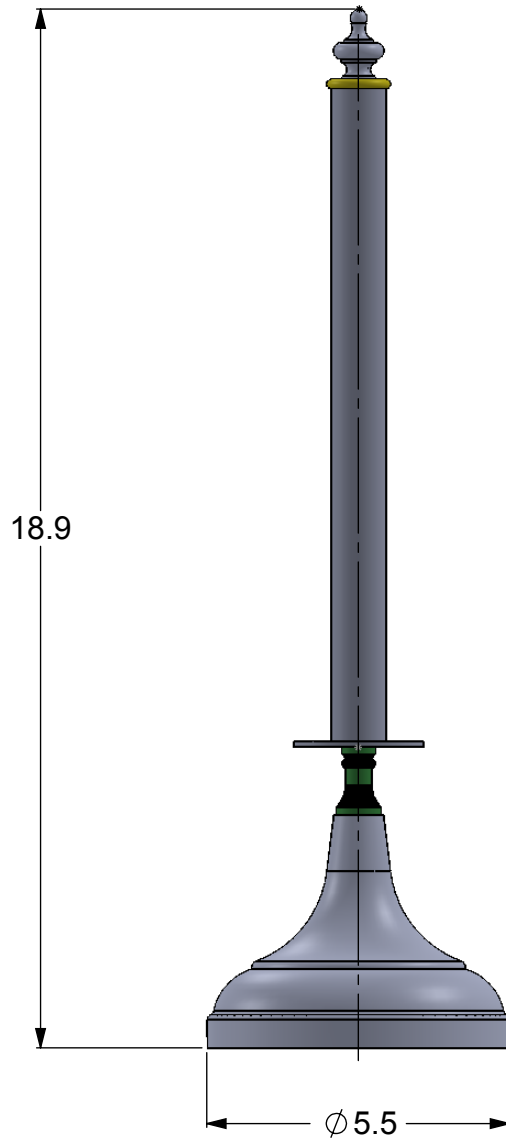


ITEM NO.	P/N	DESCRIPTION	QTY.
1	BSTD-5.5	BASE	1
2	NKSL-1.25	NECK	1
3	DSFL-2.375	PLATE	1
4	TU1-12	TUBE	1
5	CRRD-1	CHECK RING	1
6	CAPY-1	TOP	1

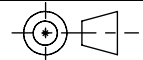


NOTES:
1. UNIT IS IN INCHES

UNLESS OTHERWISE STATED

.X	$\pm .3\text{mm}$
.XX	$\pm .15\text{mm}$
.XXX	$\pm .008\text{mm}$

COPYRIGHT © Allied Brass 2016



THIRD ANGLE PROJECTION

DRAWN	3/19/2016	I.M
CHECKED	3/19/2016	P.D
APPROVED	3/19/2016	R.A

MATERIAL: BRASS

DESCRIPTION:
**PAPER TOWEL
HOLDERS**



FINISH	TBD
QUANTITY	TBD
DRAWING No.	REV
1052	0
SCALE	1:3.5
SHEET: 01	A4