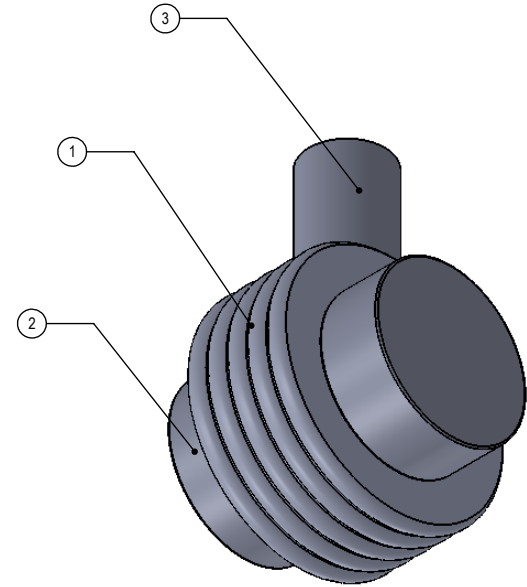
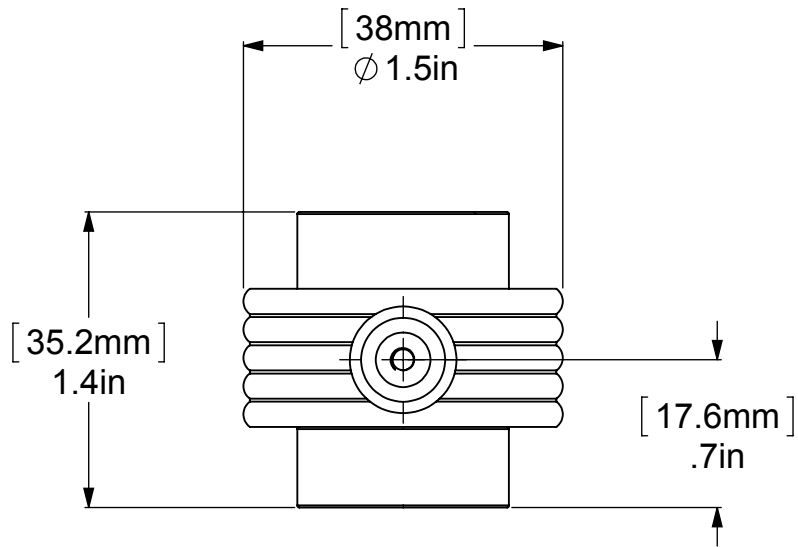
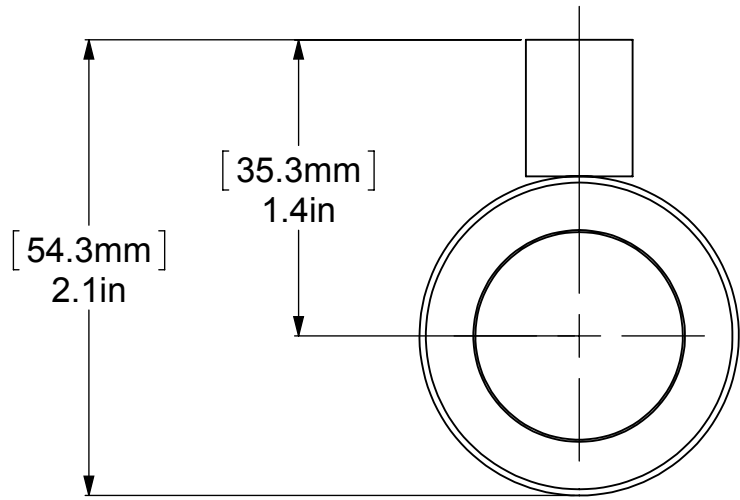


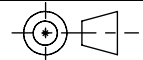
| ITEM NO. | PART NUMBER | DESCRIPTION | QTY. |
|----------|-------------|-------------|------|
| 1 | RGGVT | HUB | 1 |
| 2 | Card-1 | END LOCK | 2 |
| 3 | PSRD8-12 | BASE TUBE | 1 |



UNLESS OTHERWISE STATED

| | |
|------|---------|
| .X | ±.3mm |
| .XX | ±.15mm |
| .XXX | ±.008mm |

COPYRIGHT © Allied Brass 2016



THIRD ANGLE PROJECTION

| | | |
|----------|-----------|------|
| DRAWN | 2/27/2016 | I.M. |
| CHECKED | 2/27/2016 | P.D. |
| APPROVED | 2/27/2016 | R.A. |

| | | | | |
|--------------|---|-------------|--------|-----|
| MATERIAL: | BRASS | | FINISH | TBD |
| DESCRIPTION: | <p>KNOB</p>  | QUANTITY | TBD | |
| | | DRAWING No. | REV | |
| | | 102G | 0 | |
| SCALE | 1:0.9 | SHEET: 01 | A4 | |