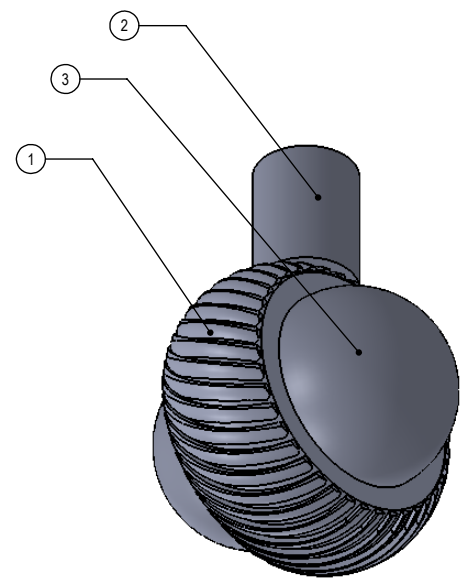
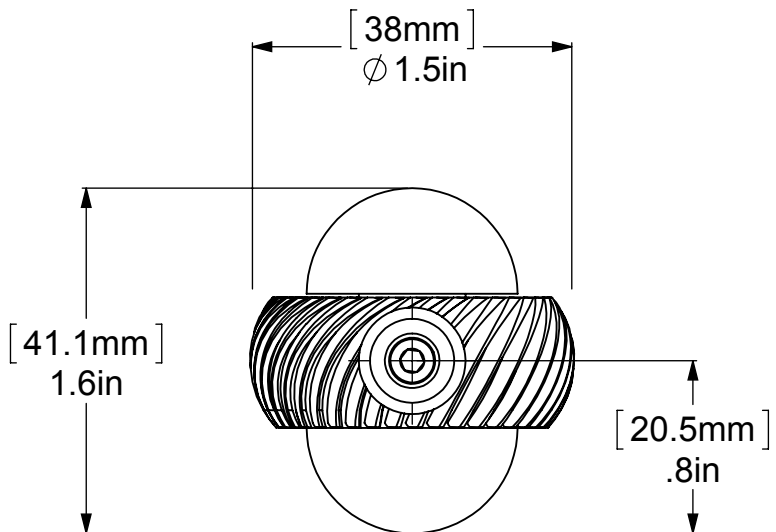
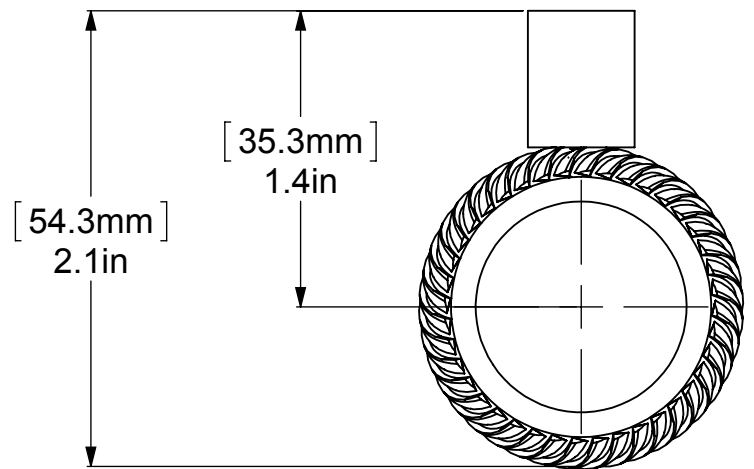


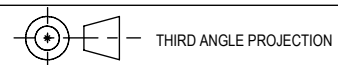
| ITEM NO. | PART NUMBER | DESCRIPTION | QTY. |
|----------|-------------|-------------|------|
| 1 | RGTWT | HUB | 1 |
| 2 | PSRD8-12 | BASE TUBE | 1 |
| 3 | CAHR-1 | CAP | 2 |




UNLESS OTHERWISE STATED

| | |
|------|---------|
| .X | ±.3mm |
| .XX | ±.15mm |
| .XXX | ±.008mm |

COPYRIGHT © Allied Brass 2016



| | | |
|----------|-----------|-----|
| DRAWN | 2/26/2016 | I.M |
| CHECKED | 2/26/2016 | P.D |
| APPROVED | 2/26/2016 | R.A |

| | |
|--------------|--|
| MATERIAL: | BRASS |
| DESCRIPTION: | <div style="text-align: center;">  </div> |
| KNOB | |

| | |
|-------------|--------------------|
| FINISH | TBD |
| QUANTITY | TBD |
| DRAWING No. | REV |
| 102AT | 0 |
| SCALE | 1:0.9 SHEET: 01 A4 |