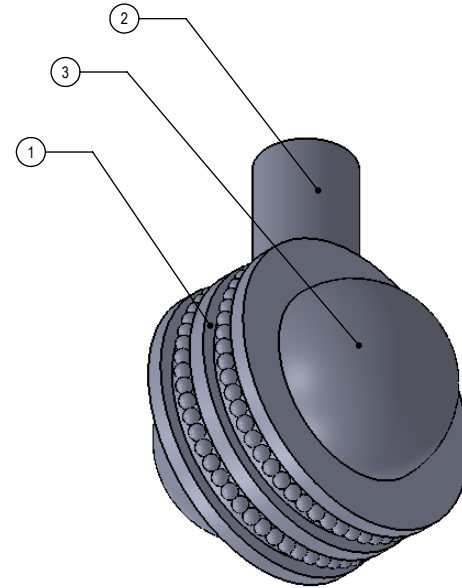
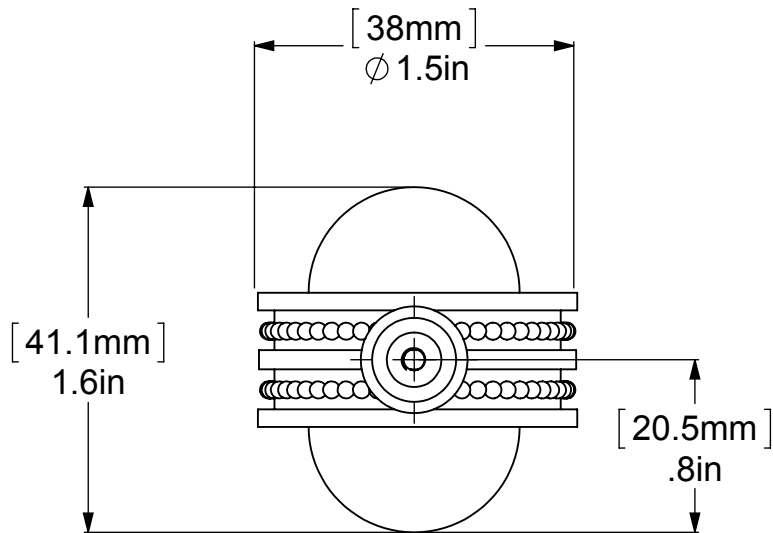
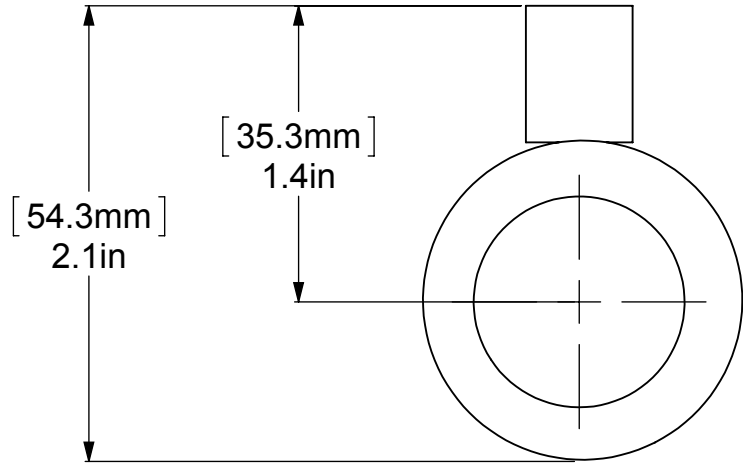


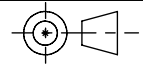
ITEM NO.	PART NUMBER	DESCRIPTION	QTY.
1	RGDTT	HUB	1
2	PSRD8-12	BASE TUBE	1
3	CAHR-1	CAP	2



UNLESS OTHERWISE STATED

.X	±.3mm
.XX	±.15mm
.XXX	±.008mm

COPYRIGHT © Allied Brass 2016



THIRD ANGLE PROJECTION

DRAWN	2/26/2016	I.M
CHECKED	2/26/2016	P.D
APPROVED	2/26/2016	R.A

MATERIAL:	BRASS		FINISH	TBD
DESCRIPTION:	<p>KNOB</p> 	QUANTITY	TBD	
		DRAWING No.	REV	
		102AD	0	
SCALE	1:0.9	SHEET: 01	A4	