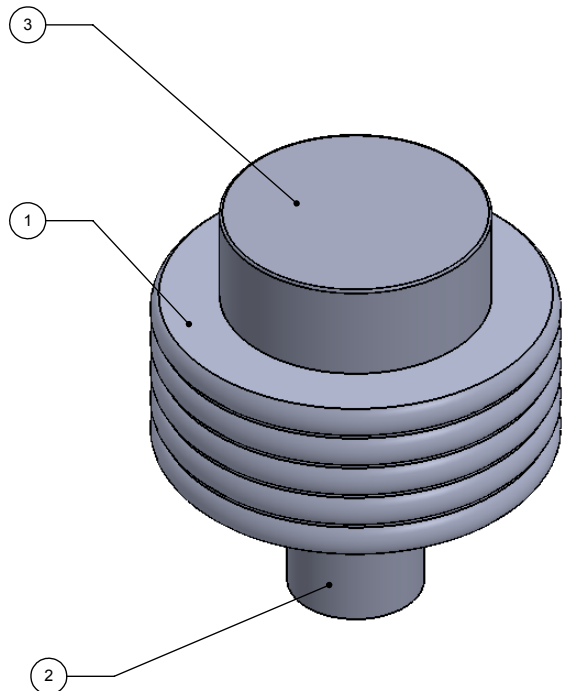
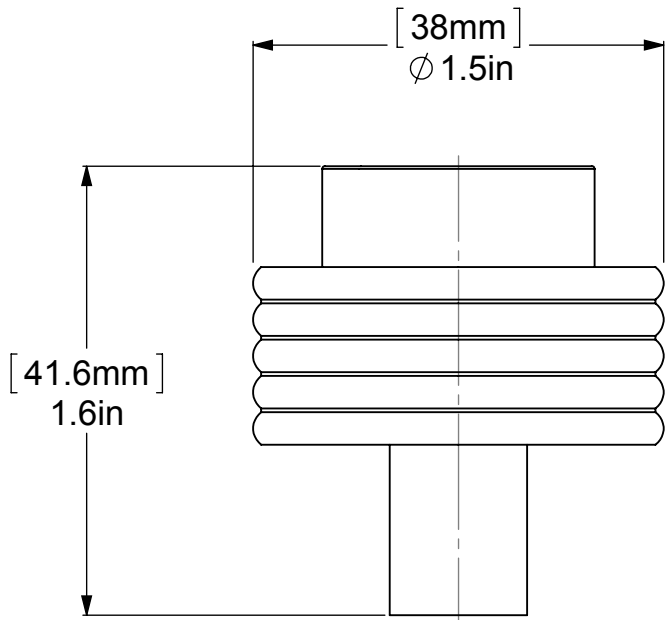
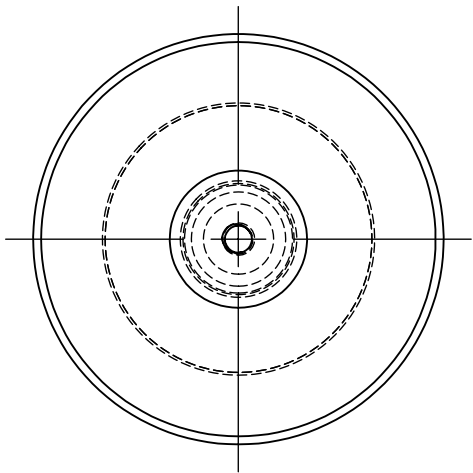


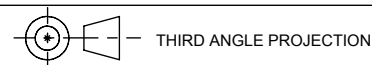
ITEM NO.	PART NUMBER	DESCRIPTION	QTY.
1	RGGVT	HUB	1
2	PSRD8-12	BASE TUBE	1
3	Card-1	END LOCK	1



UNLESS OTHERWISE STATED


.X	$\pm .3\text{mm}$
.XX	$\pm .15\text{mm}$
.XXX	$\pm .008\text{mm}$

COPYRIGHT © Allied Brass 2016



THIRD ANGLE PROJECTION

DRAWN	2/26/2016	I.M
CHECKED	2/26/2016	P.D
APPROVED	2/26/2016	R.A

MATERIAL:	BRASS
DESCRIPTION:	

FINISH	TBD
QUANTITY	TBD
DRAWING No.	REV
101G	0
SCALE	1:0.7
SHEET: 01	A4