

### MERRICK™ WHIRLPOOL AND SOAKING TUB

#### 025-0144 Merrick™ Whirlpool

- Modern, minimalist design with generous depth
- Eight fully adjustable Clean Jets™
- Drop-in or under-mount installation
- Heater blank (heater purchased separately)
- Extra soaking depth when used with Deep Soak™ drain
- Durable acrylic construction
- Made in USA
- Push button on/off switch
- Limited Lifetime Warranty
- Pre-leveled base

#### 035-0144 Merrick™ Air Bath

- Bath with gentle air bubble massage system
- Electronic control pad

#### 015-0144 Merrick™ Soaking Tub

#### Nominal Dimensions:

59-3/4" x 32" x 19-1/4"  
(1518 x 813 x 489mm)



#### Compliance Certifications -

#### Meets or Exceeds the Following Specifications:

- Underwriters Laboratories - Hydromassage Bathtubs UL 1795
- ASME A112.19.7/CSA B45.10
- IAPMO Z124.1.2

For color/finish availability and other faucet choices, please see [www.eljer.com](http://www.eljer.com)

\* **NOTE:** Whirlpool heater is designed to maintain water temperature during operation. It will not heat cold water to desired bathing temperature.

SEE REVERSE SIDE FOR ROUGHING-IN DIMENSIONS AND PRODUCT SPECIFICATIONS

#### To Be Specified - Required:

- Color:
- Bath Filler: (specify finish)
- Bath Drain: (specify finish)  
Recommended: American Standard 1640.305.XXX (specify finish) Deep Soak™ drain

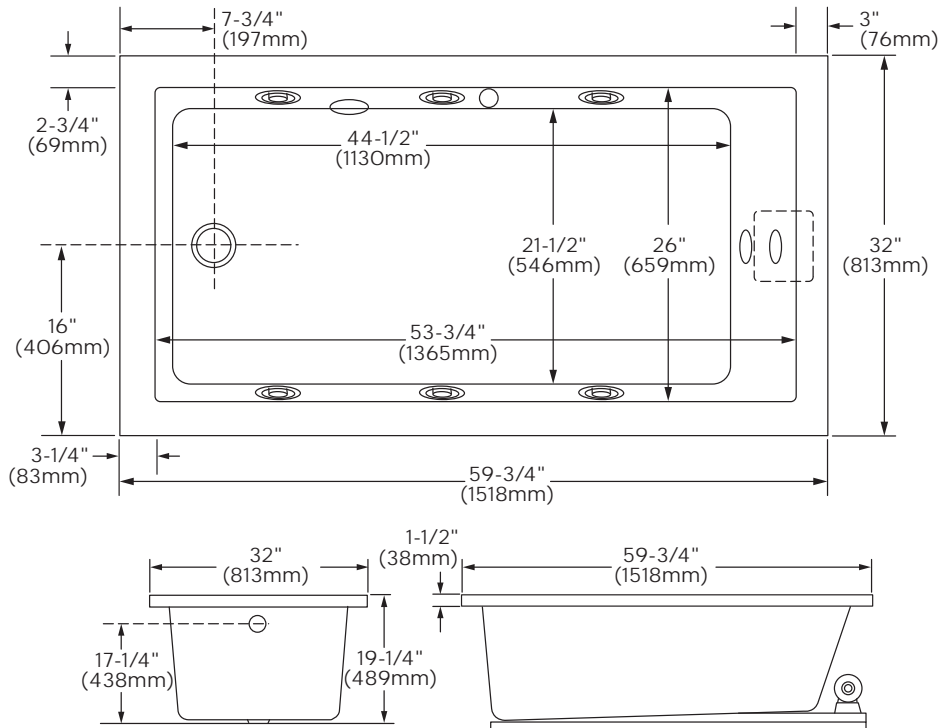
#### Factory Installed - Options:

- All models:
- Chromatherapy LED lights (3) with control pad - add "**K2**" suffix to model number
- Whirlpool and Air/Whirlpool combination models:
- Heater - add "**H**" suffix to model number
  - Heater and chromatherapy kit - add "**HK2**" suffix to model number (example: 025-0144**HK2**)

#### Optional Accessories:

- 415-0144-XX - 5' Apron (specify color)
- 494-8505 - Remote control for chromatherapy
- 494-1000 - In-line heater (field installed)
- 494-0060 - Attachable tile flange - cut to desired length

### MODEL 025-0144



#### GENERAL SPECIFICATIONS FOR MERRICK™ WHIRLPOOL

INSTALLED SIZE	59-3/4 x 32 x 19-1/4 In. (1518 x 813 x 489mm)
WEIGHT	90 Lbs. (41 Kg.)
WEIGHT w/WATER	656 Lbs. (298 Kg.)
GAL. TO OVERFLOW	68 Gal. (251 L)
BATHING WELL AT SUMP	20-1/2" X 45" (521 X 1143 mm)
WATER DEPTH TO OVERFLOW	15 In. (381mm)
FLOOR LOADING (PROJECTED AREA)	49 Lbs./Sq.Ft. (240 Kgs./Sq.m)
PTS.	15.28
CUBE (FT <sup>3</sup> )	.28

#### NOTES:

BATH CAN BE INSTALLED EITHER ABOVE OR BELOW FLOOR LINE AS PIER, ISLAND, OR PENINSULA TYPE INSTALLATION. SUMP OF BATH IS SUPPORTED BY INTEGRAL FEET. NO ADDITIONAL SUPPORT REQUIRED. ENCLOSING MATERIAL BY OTHERS.

REFER TO INSTALLATION INSTRUCTIONS SUPPLIED FOR ADDITIONAL INFORMATION.

FITTINGS NOT INCLUDED AND MUST BE ORDERED SEPARATELY.

OPTIONAL 3 WALL TILE FLANGE KIT AND APRON AVAILABLE AND MUST BE ORDERED SEPARATELY.

PROVIDE SUITABLE REINFORCEMENT FOR ALL SUPPORTS.

IF INSTALLING A DECK-MOUNTED FITTING, BEFORE DRILLING ANY HOLES: CHECK FOR INTERFERENCE WITH CIRCULATING SYSTEM PIPING, DRAIN OVERFLOW, AND APRON INSTALLATION. MOUNTING HOLES DRILLED BY INSTALLER.

**IMPORTANT:** Dimensions of fixtures are nominal and may vary within the range of tolerances established by ANSI Standard Z124.1.2. These measurements are subject to change or cancellation. No responsibility is assumed for use of superseded or voided pages.